

Product datasheet

Specifications



130mm Rotating Mirror Orange 24VAC/DC IP67

XVR13B05L

EAN Code: 3389119045292

Main

Range of product	Harmony XVR
Product or component type	Prewired rotating mirror beacon
Sound signalling	Without
Device short name	XVR
Mounting diameter	130 mm
IP degree of protection	IP66 conforming to IEC 60529 IP67 conforming to IEC 60529
[Us] rated supply voltage	24 V AC/DC
Light source	High luminosity LED, orange

Complementary

Material	ABS (acrylonitrile butadiene-styrene): body part PC: globe
CAD overall width	130 mm
CAD overall depth	130 mm
Net weight	0.82 kg
Marking	CE
Product mounting	By 3 M6 screws
[Uimp] rated impulse withstand voltage	0.8 kV
Current consumption	125 mA
Flashing frequency	2.7 Hz
Clamping connection capacity	1.25 mm ²
AWG gauge	AWG 18
Cable length	400 mm

Environment

Standards	IEC 61000-6-2 IEC 61000-6-4
Protective treatment	TC
Ambient air temperature for storage	-35...70 °C
Ambient air temperature for operation	-30...50 °C
Electrical shock protection class	Class II conforming to IEC 61140

Packing Units

Unit Type of Package 1	PCE
Number of Units in Package 1	1
Package 1 Height	27.000 cm
Package 1 Width	18.700 cm
Package 1 Length	18.700 cm
Package 1 Weight	1.142 kg
Unit Type of Package 2	S04
Number of Units in Package 2	6
Package 2 Height	30.000 cm
Package 2 Width	40.000 cm
Package 2 Length	60.000 cm
Package 2 Weight	8.128 kg
Unit Type of Package 3	P06
Number of Units in Package 3	24
Package 3 Height	75.000 cm
Package 3 Width	60.000 cm
Package 3 Length	80.000 cm
Package 3 Weight	40.412 kg

Logistical informations

Country of origin	ID
-------------------	----

Contractual warranty

Warranty	18 months
----------	-----------

Environmental Data

Schneider Electric aims to achieve Net Zero status by 2050 through supply chain partnerships, lower impact materials, and circularity via our ongoing “Use Better, Use Longer, Use Again” campaign to extend product lifetimes and recyclability.

[Environmental Data explained >](#)

[How we assess product sustainability >](#)

Environmental footprint

Total lifecycle Carbon footprint 23

Environmental Disclosure [Product Environmental Profile](#)

Use Better

Materials and Substances

Packaging made with recycled cardboard Yes

Packaging without single use plastic No

[EU RoHS Directive](#) Pro-active compliance (Product out of EU RoHS legal scope)

REACH Regulation [REACH Declaration](#)

Use Again

Repack and remanufacture

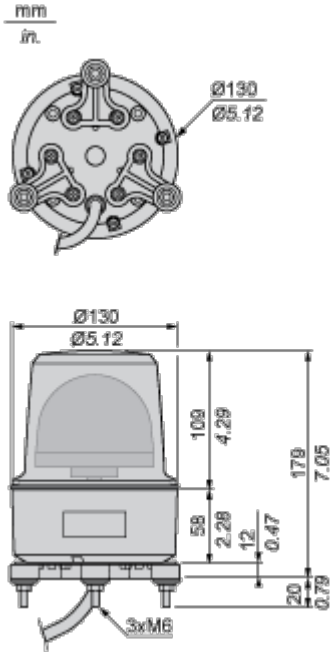
End of life manual availability [End of Life Information](#)

Take-back No

Dimensions Drawings

Rotating Mirror Beacon

Dimensions



Mounting and Clearance

Rotating Mirror Beacon

Panel Cut-out

