

Product datasheet

Specifications



Harmony XVU, Illuminated LED unit for modular tower lights, green, Ø60, blinking, IP65, 24 V AC/DC

XVUC43

⚠ To be discontinued on: 31 May 2026

⚠ Discontinued

EAN Code: 3606480886942

Main

| | |
|------------------------------------|--|
| Range of product | Harmony XVU |
| Product or component type | Modular tower light |
| Beacon or indicator bank unit type | LED unit |
| Mounting diameter | 60 mm |
| Component name | XVU |
| Light source | LED, green |
| Device application | Machine tools Packaging machine Automotive |

Complementary

| | |
|--------------------------------|--|
| Signalling type | Blinking |
| Assembly style | Customer assembly, up to 5 units Up to 4 units with buzzer |
| Material | PC (polycarbonate) V-2 conforming to UL 94 PC (polycarbonate) V-0 conforming to UL 94 |
| [Us] rated supply voltage | 24 V AC/DC |
| Maximum power dissipation in W | 1.2 W |
| Signalling type | Blinking |
| Length | 50 mm |
| Net weight | 0.064 kg |

Environment

| | |
|---------------------------------------|-----------------|
| Product certifications | UL CSA CE |
| Ambient air temperature for storage | -40...70 °C |
| IP degree of protection | IP65 |
| Ambient air temperature for operation | -25...50 °C |
| Vibration resistance | 2 gn |

Packing Units

| | |
|------------------------|-----|
| Unit Type of Package 1 | PCE |
|------------------------|-----|

| | |
|-------------------------------------|-----------|
| Number of Units in Package 1 | 1 |
| Package 1 Height | 9.000 cm |
| Package 1 Width | 9.100 cm |
| Package 1 Length | 13.300 cm |
| Package 1 Weight | 142.900 g |
| Unit Type of Package 2 | S03 |
| Number of Units in Package 2 | 24 |
| Package 2 Height | 30.000 cm |
| Package 2 Width | 30.000 cm |
| Package 2 Length | 40.000 cm |
| Package 2 Weight | 4.341 kg |

Logistical informations

| | |
|--------------------------|----|
| Country of origin | ID |
|--------------------------|----|

Contractual warranty

| | |
|-----------------|-----------|
| Warranty | 18 months |
|-----------------|-----------|

Environmental Data

Schneider Electric aims to achieve Net Zero status by 2050 through supply chain partnerships, lower impact materials, and circularity via our ongoing “Use Better, Use Longer, Use Again” campaign to extend product lifetimes and recyclability.

[Environmental Data explained >](#)

[How we assess product sustainability >](#)

Environmental footprint

Total lifecycle Carbon footprint 13

Environmental Disclosure [Product Environmental Profile](#)

Use Better

Materials and Substances

Packaging made with recycled cardboard Yes

Packaging without single use plastic Yes

[EU RoHS Directive](#) Pro-active compliance (Product out of EU RoHS legal scope)

SCIP Number C06fce4f-aea2-46a5-aadb-0b38d1efbe3f

REACH Regulation [REACH Declaration](#)

Use Again

Repack and remanufacture

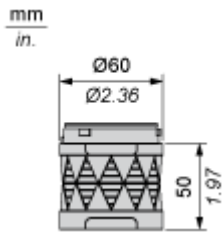
End of life manual availability [End of Life Information](#)

Take-back No

Dimensions Drawings

Illuminated LED Unit

Dimensions



Mounting and Clearance

Modular Tower Lights Mounting



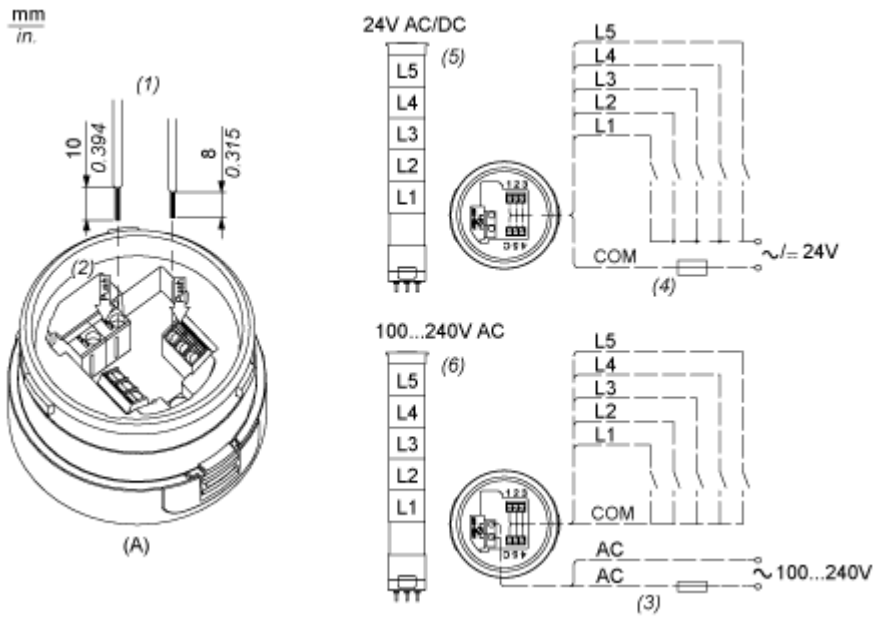
| Drawing | Part number | Part name |
|---------|-------------|----------------------|
| A1 | - | Top cover |
| | - | Top cover (Silver) |
| A2 | XVUC9S | Buzzer unit |
| | XVUC9SQ | Buzzer unit (Silver) |
| A3 | XVUC23 | Green LED unit |
| | XVUC24 | Red LED unit |
| | XVUC25 | Orange LED unit |
| | XVUC26 | Blue LED unit |

| Drawing | Part number | Part name |
|---------|-------------|---|
| | XVUC27 | White LED unit |
| | XVUC28 | Yellow LED unit |
| A4 | XVUC29 | Multi-LED unit |
| A5 | XVUC29P | Multi-LED unit, Pulse signal |
| A6 | XVUC9V | Sound unit |
| A7 | XVUC9VP | Sound unit, Pulse signal |
| A8 | XVUC020 | Extender |
| | XVUC020Q | Extender (Silver) |
| A9 | XVUC21B | DC body |
| | XVUC21BQ | DC body (Silver) |
| A10 | XVUC21M | AC body NPN |
| | XVUC21MP | AC body PNP |
| | XVUC21MQP | AC body PNP (Silver) |
| A11 | XVUZ06 | Flexible option |
| A12 | XVUZ01 | Fixing Unit - Direct mounting (3 pins) |
| | XVUZ01Q | Fixing Unit - Direct mounting (Silver,3 pins) |
| | XVUZ03 | Fixing Unit - Direct mounting (2 pins) |
| | XVUZ04 | Fixing Unit - Direct mounting (4 pins) |
| A13 | XVUZ02 | Fixing Unit - Plate with Pole (100 mm) |
| | XVUZ02Q | Fixing Unit - Plate with Pole (100 mm, Silver) |
| | XVUZ400 | Fixing Unit - Plate with Pole (400 mm) |
| | XVUZ800 | Fixing Unit - Plate with Pole (800 mm) |
| A14 | XVUZ05 | Fixing Unit - Plate with adjustment pole (100-385 mm) |
| A15 | XVUC43 | Green LED unit, Flash |
| | XVUC44 | Red LED unit, Flash |
| | XVUC45 | Orange LED unit, Flash |
| | XVUC46 | Blue LED unit, Flash |

| Drawing | Part number | Part name |
|------------|-------------|--|
| | XVUC47 | White LED unit, Flash |
| | XVUC48 | Yellow LED unit, Flash |
| A16 | XVUZ100T | Fixing Unit - Metal bracket with pole (100 mm) |
| | XVUZ250T | Fixing Unit - Metal bracket with pole(250 mm) |
| | XVUZ400T | Fixing Unit - Metal bracket with pole (400 mm) |
| A17 | XVUZ12 | Fixing plate for use on vertical support - black |

Connections and Schema

Illuminated Units, Multi-LED and Audible Units Wiring

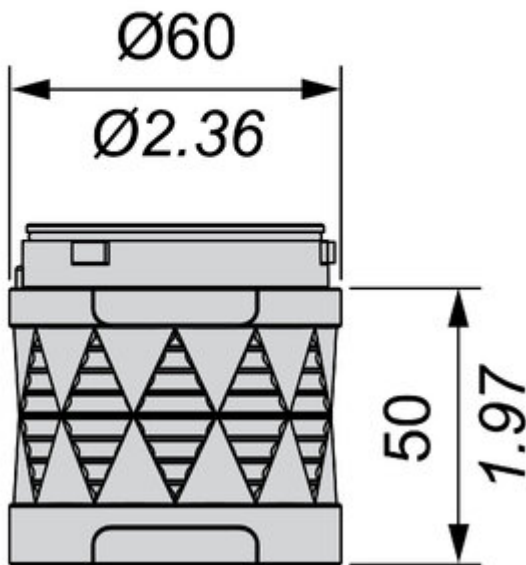


- (A) Fixing Unit
 - (1) Dimensions of Wiring size
 - (2) Push-in Wire Connectors
 - (3) Fuse : 2A ,250V
 - (4) Fuse : 0.5A ,125V
 - (5) Modular Tower Lights 24V AC/DC
 - (6) Modular Tower Lights 100...240V AC
- L1 to L5 : Illuminated LED Units

Technical Illustration

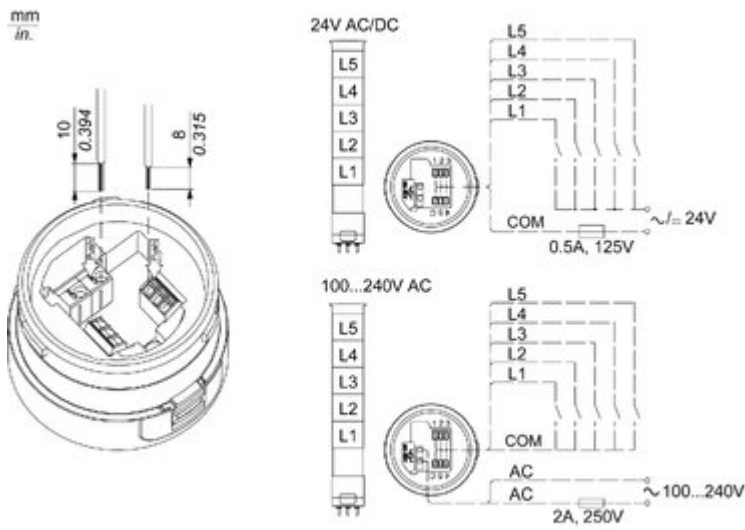
Dimensions

$\frac{\text{mm}}{\text{in.}}$



Technical Illustration

Wiring diagram

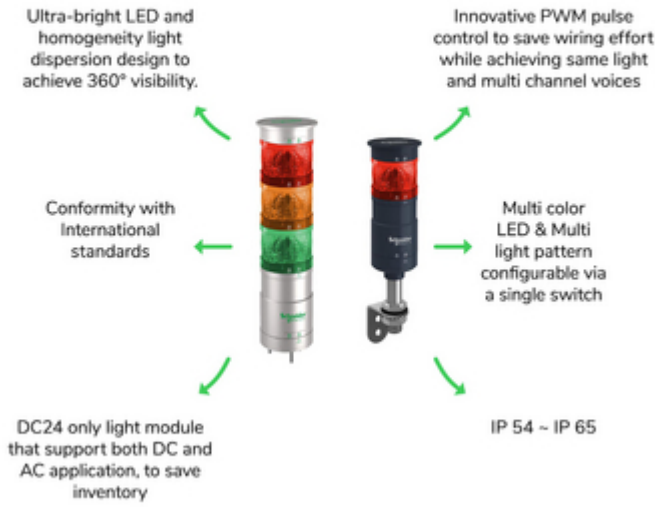


Offer Marketing Illustration

Product benefits / Features

Technical Benefits

Harmony XVU



Offer Marketing Illustration

Product benefits / Features

The infographic features a central image of a vertical stack of five light units in different colors (red, orange, green, blue, grey) on a black base. Surrounding this central image are five circular icons, each with a corresponding text block describing a feature. The background is a solid green color.

Features Harmony XVU

- 6 colors + multi color LED with 4 light patterns: steady, flashing, blinking, and rotating**
- Modular design supporting customization up to 5 light units**
- 4 mounting styles: flexible, wall, pole, or direct mounting**
- Simplified installation, easy maintenance, and direct connection to PLC**
- Programmable sounders that is configurable via the SD card**