

Product datasheet

Specifications



Transmitter, Harmony pocket remote, 4 single-step push buttons

ZART04

EAN Code: 3606481499462

Main

Range of product	Harmony Pocket Remote
Product or component type	Hand-held remote control
Device short name	ZART
Control button type	4 single step push-button

Complementary

Material	Push-button cover: silicone rubber Enclosure: ABS + PET
Function available	Power switch
Display type	1 LED
operating distance	50 m
Communication network type	Wireless
Transmission frequency	2.4 GHz
Maximum sensing distance	300 m in free field
Response time	< 500 ms
Autonomy	> 100 h with alkaline batteries
Battery type	2 AAA/LR3 alkaline
Width	66 mm
Height	114 mm
Depth	37.5 mm
Net weight	0.135 kg

Environment

Radio agreement	IC FCC
IP degree of protection	IP67
Ambient air temperature for operation	-20...55 °C
Ambient air temperature for storage	-20...45 °C
Operating altitude	0...2000 m
Storage altitude	0...3000 m
Relative humidity	0...95 % at -20...60 °C operating
Product certifications	CE

Packing Units

Unit Type of Package 1	PCE
Number of Units in Package 1	1
Package 1 Height	4.5 cm
Package 1 Width	7.5 cm
Package 1 Length	13.5 cm
Package 1 Weight	175.0 g
Unit Type of Package 2	S01
Number of Units in Package 2	8
Package 2 Height	15.0 cm
Package 2 Width	15.0 cm
Package 2 Length	40.0 cm
Package 2 Weight	1.59 kg

Logistical informations

Country of origin	CN
-------------------	----

Contractual warranty

Warranty	18 months
----------	-----------



Environmental Data

Schneider Electric aims to achieve Net Zero status by 2050 through supply chain partnerships, lower impact materials, and circularity via our ongoing “Use Better, Use Longer, Use Again” campaign to extend product lifetimes and recyclability.

[Environmental Data explained >](#)

[How we assess product sustainability >](#)

Environmental footprint

[Environmental Disclosure](#)

[Product Environmental Profile](#)

Use Better

Materials and Substances

Packaging made with recycled cardboard

No

Packaging without single use plastic

No

[EU RoHS Directive](#)

Pro-active compliance (Product out of EU RoHS legal scope)

SCIP Number

6e438e59-42d1-4633-bfe2-cb5ef607659b

Use Again

Repack and remanufacture


End of life manual availability

[End of Life Information](#)

Take-back

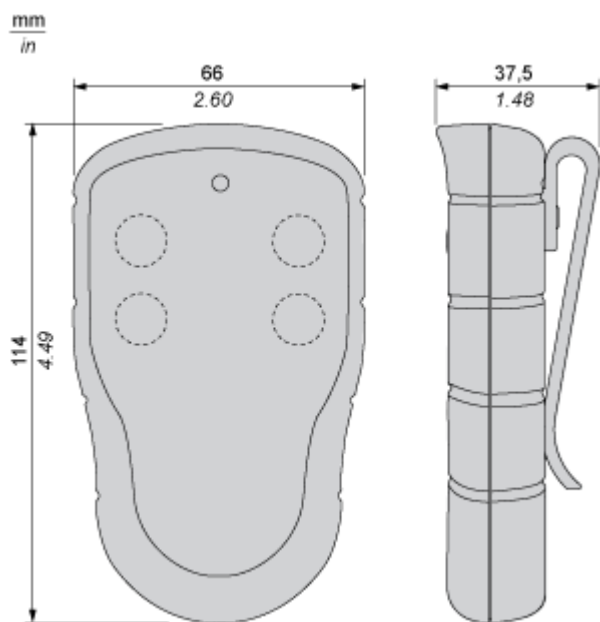
No

WEEE Label

 The product must be disposed on European Union markets following specific waste collection and never end up in rubbish bins

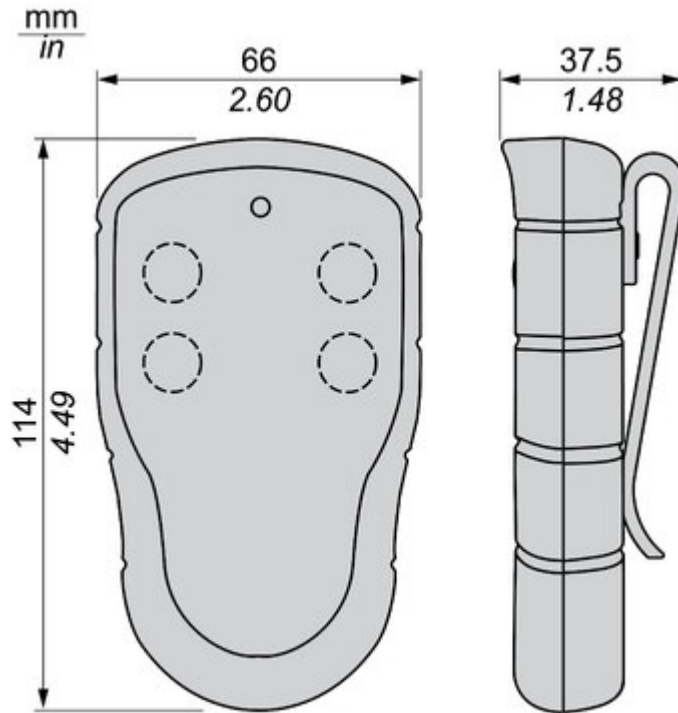
Dimensions Drawings

Transmitter Dimensions



Technical Illustration

Dimensions



Offer Marketing Illustration

Product benefits / Features

Technical benefits

ZAR Harmony Pocket remote

The Harmony Pocket Remote uses the worldwide free 2.4 GHz frequency to allow unrestricted operation.

Product certifications: CE, UL
Radio certifications: FCC, IC



Users can integrate 3, 4, 6, 8 or 10 buttons according to their needs

IP 67 for the transmitter and IP 66 for the receiver

Offer Marketing Illustration

Product benefits / Features

The image is a green infographic titled "Features ZAR Harmony Pocket remote". It features a central image of the remote device. Surrounding it are five circular icons, each with a corresponding text description of a feature. The features include: 1. Mobility solutions for operator efficiency and reduced installation time. 2. A large set of colors and pictures for customizing the front face. 3. Suitability for controlling all kinds of machines. 4. A wide range of relative humidity and temperature operation. 5. A long battery life of over 100 hours with alkaline batteries.

Features

ZAR Harmony Pocket remote

- Offers mobility solutions to improve operator efficiency and reduce installation time
- Large set of colors and pictures to customize the front face of your pocket
- Suitable for controlling all kinds of machines
- Relative humidity 0...95% to -20...55°C operation
- Battery life: > 100 h with alkaline batteries