

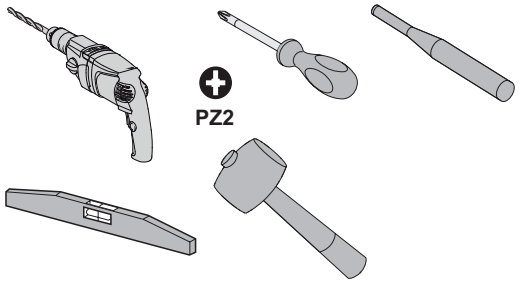
PLEASE NOTE

- The installation, maintenance and eventual replacement of this device must only be carried out by a qualified electrician.
- This device must not be repaired.
- All applicable local, regional and national regulations must be complied with during the installation, use, maintenance and replacement of this device.
- This device should not be installed if, when unpacking it, you observe that it is damaged.
- Schneider Electric cannot be held responsible in the event of noncompliance with the instructions in this document and in the documents to which it refers.
- The service instruction must be observed throughout the life time of this device.

⚠ ⚠ DANGER

HAZARD OF ELECTRIC SHOCK, EXPLOSION OR ARC FLASH

- Turn off all power supplying this device before working on it.
 - Use a voltage tester with a suitable rated voltage in order to check that all active conductors aren't energized.
 - Carefully inspect the work area to check that no tools or objects could have been left inside the equipment.
 - Install Neutral Shroud back in order to comply with protection rating IP20.
- Failure to follow these instructions will result in death or serious injury.**



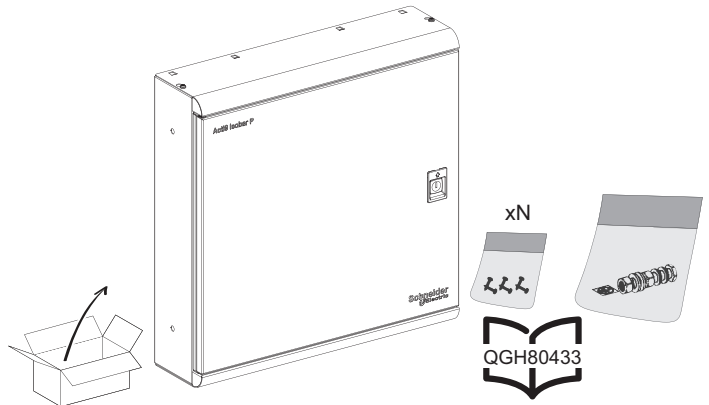
⚠ Warning

HAZARD OF FALLING OR HANDLING THE PRODUCT

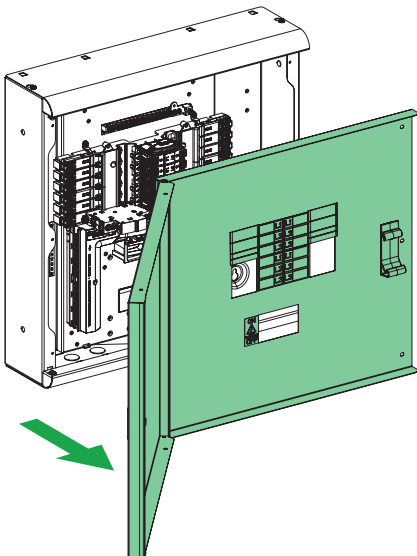
The large enclosures should be moved/lifted by a minimum of two people to avoid damage to the equipment.
Failure to follow these instructions will result in death or serious injury, or equipment damage.

1 Unboxing

Reference	xN	Reference	xN
SEA9BPN4	1	SEA9BPN18M	1
SEA9BPN6	1	SEA9BPN24M	2
SEA9BPN8	1	SEA9BPN1258S8	2
SEA9BPN12	1	SEA9BPN12514S8	2
SEA9BPN16	1	SEA9BPN12516S6	2
SEA9BPN18	1	SEA9BPN12518S4	2
SEA9BPN24	2	SEA9BPN2508S8	2
SEA9BPN6M	1	SEA9BPN25014S8	3
SEA9BPN8M	1	SEA9BPN25016S6	3
SEA9BPN12M	1	SEA9BPN25018S4	3
SEA9BPN16M	1		



2 Removal of Door Cover Assembly

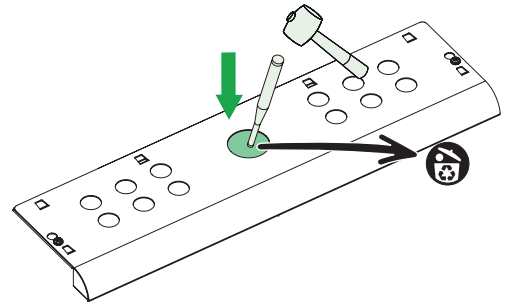
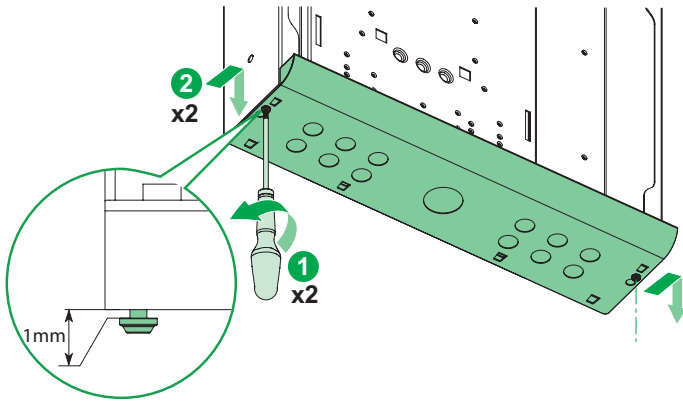


3

Cable Entry Knockouts

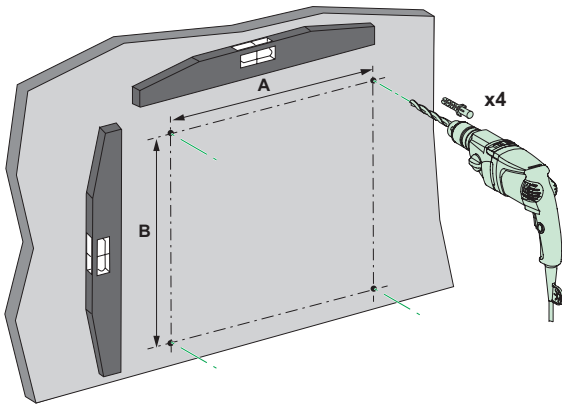
PLEASE NOTE

- Remove the minimum number of knockouts required for the incoming and outgoing cables to pass through easily.
- IP rating shall be maintained, suitable cable protection shall be applied with appropriate conduit.
- It is recommended that the gland plate is removed prior to drilling or knock-out removal.



4

Wall Installation



Reference	DIMA (mm)	DIM B (mm)
SEA9BPN4, SEA9BPN6, SEA9BPN6M	380	386
SEA9BPN8, SEA9BPN8M	380	440
SEA9BPN12, SEA9BPN12M	380	602
SEA9BPN16, SEA9BPN16M	380	710
SEA9BPN18, SEA9BPN18M	380	764
SEA9BPN24, SEA9BPN24M	380	872
SEA9BPN1258S8	380	1043
SEA9BPN12514S8, SEA9BPN12516S6, SEA9BPN12518S4	380	1205
SEA9BPN2508S8	380	1169
SEA9BPN25014S8, SEA9BPN25016S6, SEA9BPN25018S4	380	1331

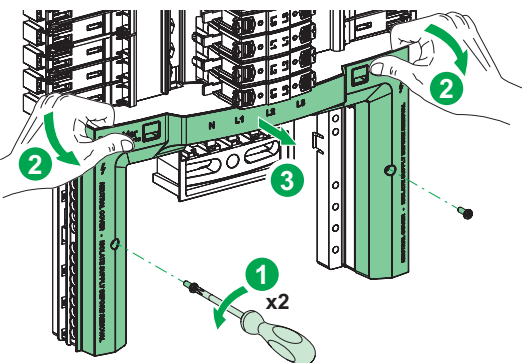
⚠ ⚠ DANGER

HAZARD OF ELECTRIC SHOCK, EXPLOSION OR ARC FLASH

- Install this product in accordance with National Wiring Regulation.
 - iC60H RCBO PoN is only compatible with ISOBAR P.
- Failure to follow these instructions will result in death or serious injury.

5

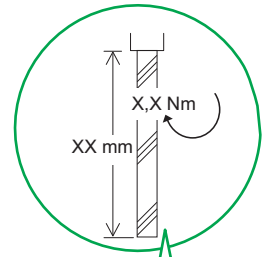
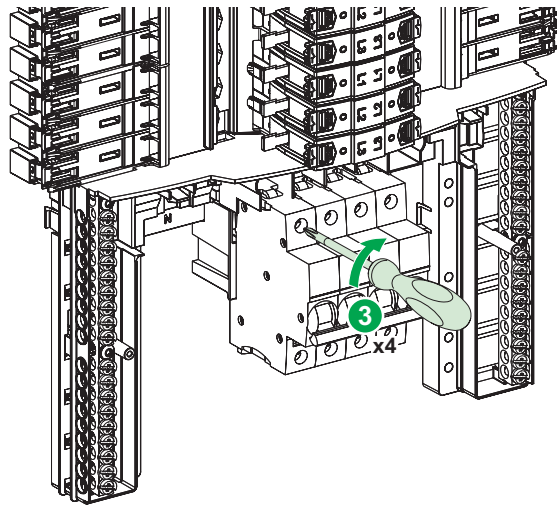
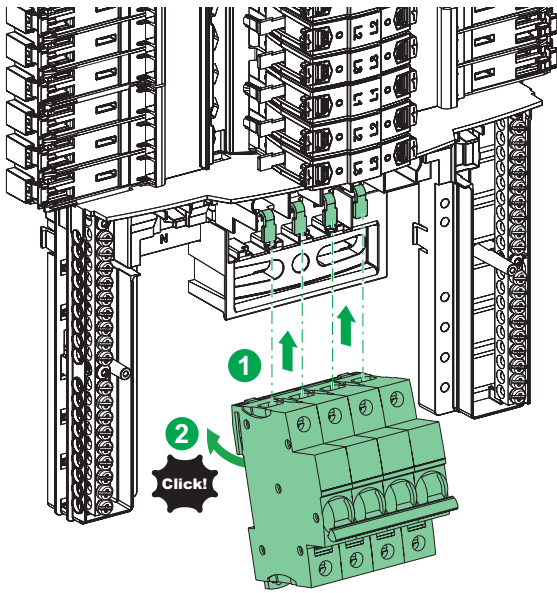
Neutral Shroud Removal



6

Incomer Installation

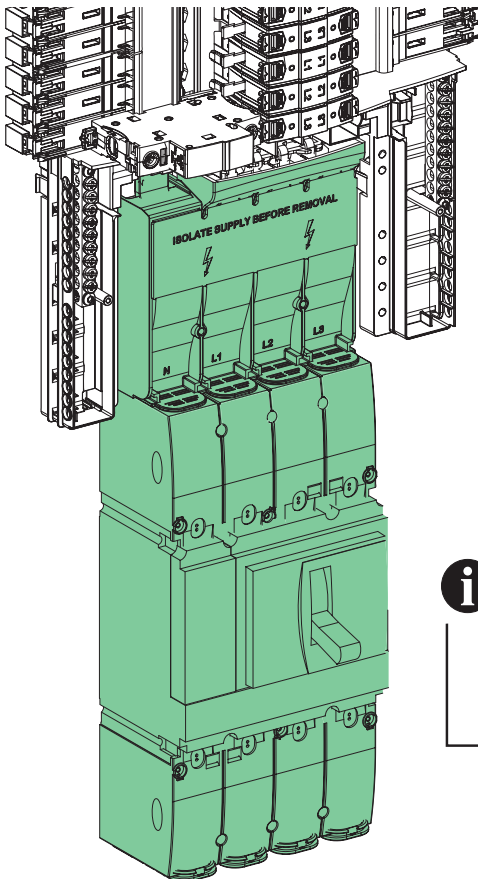
6.1 125A Incomer Installation



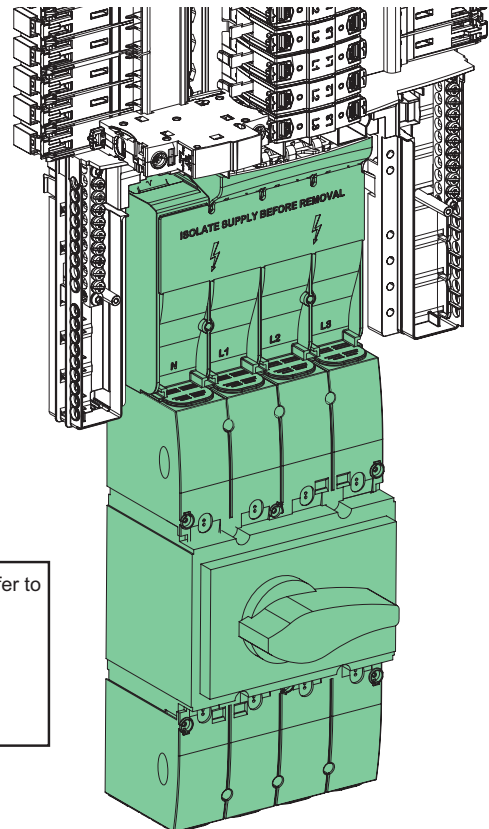
i Refer to individual device for relevant torque and stripping values.

6.2 Up to 250A Incomer Installation

Molded Case Circuit Breaker



Switch Disconnecter

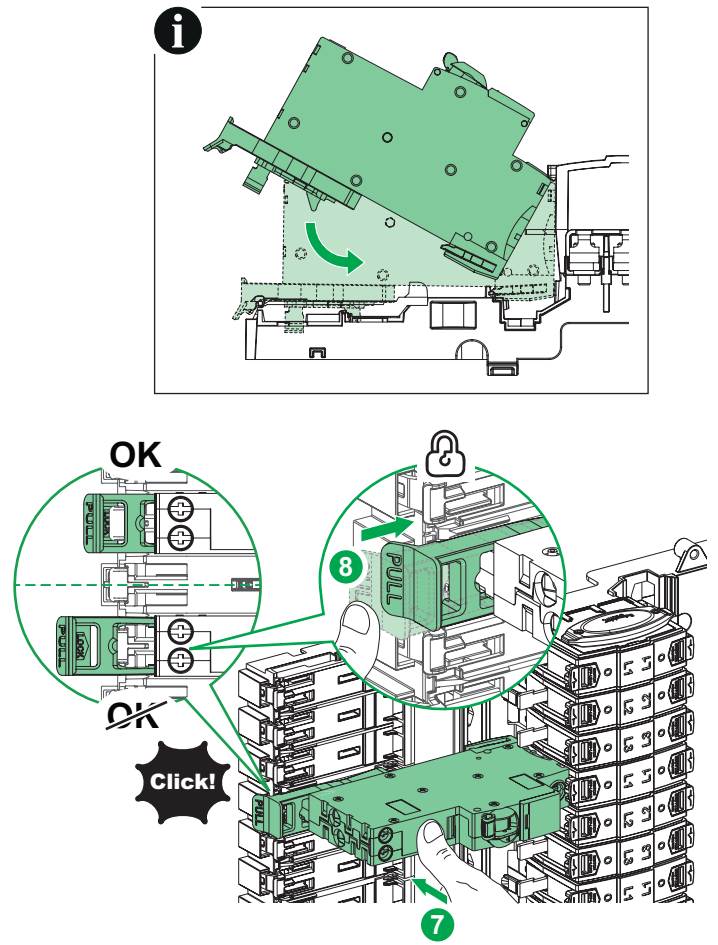
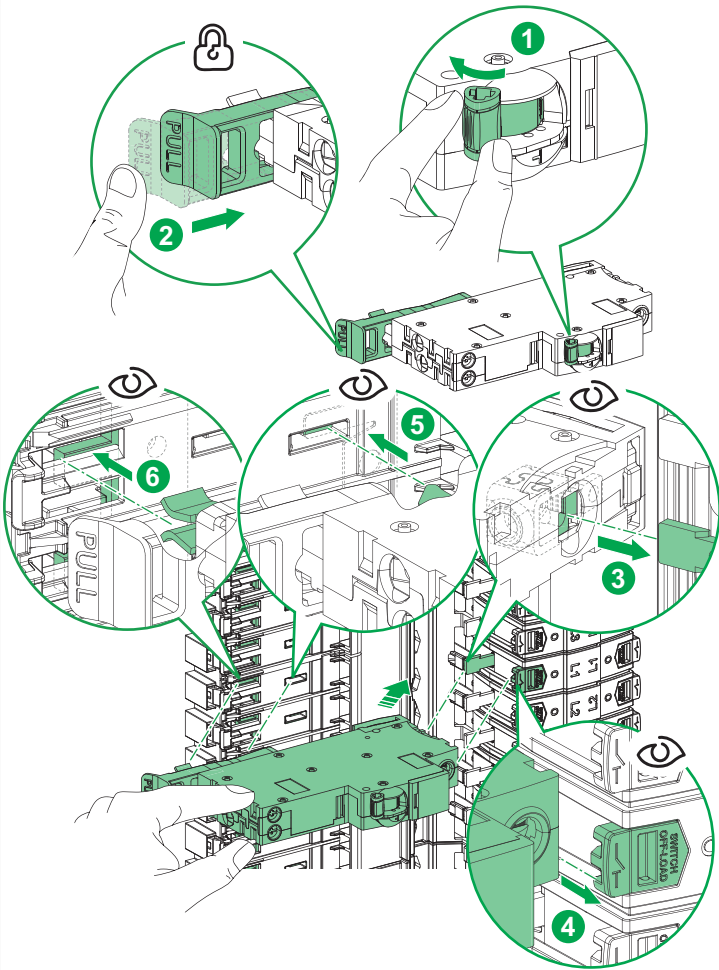


i For more information, please refer to the below instruction sheets.

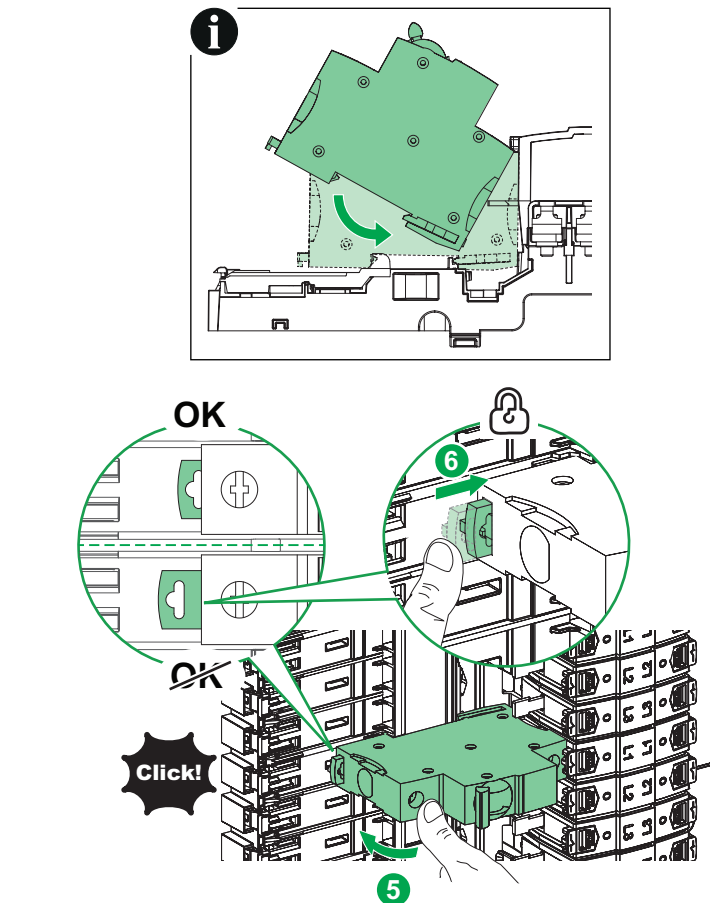
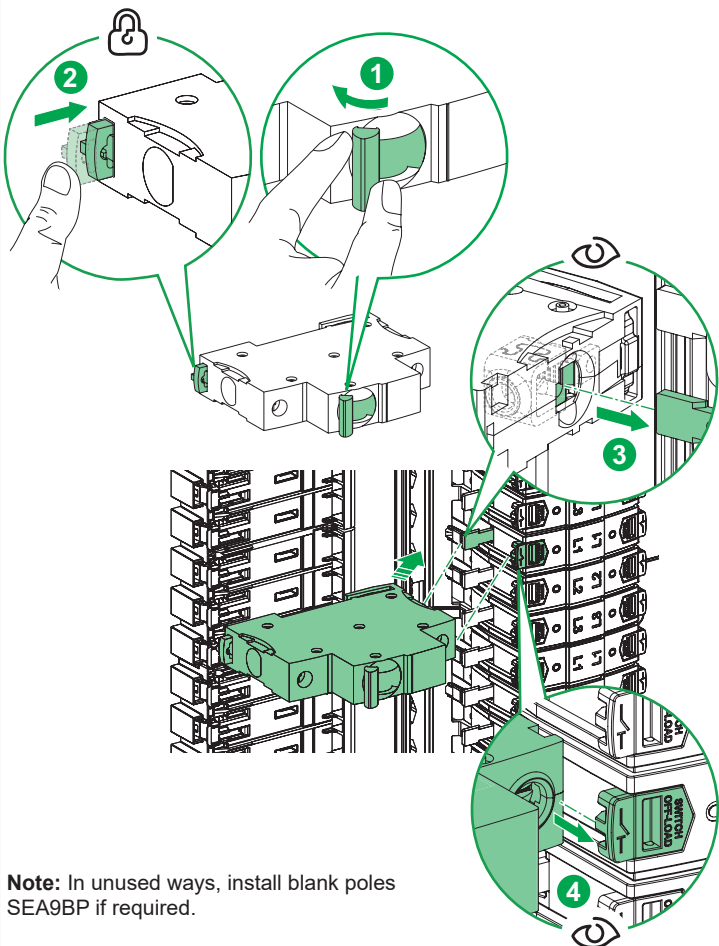
GHD16276AA
04445280AA

7 Outgoing Device Installation

7.1 iC60H RCBO PoN Installation



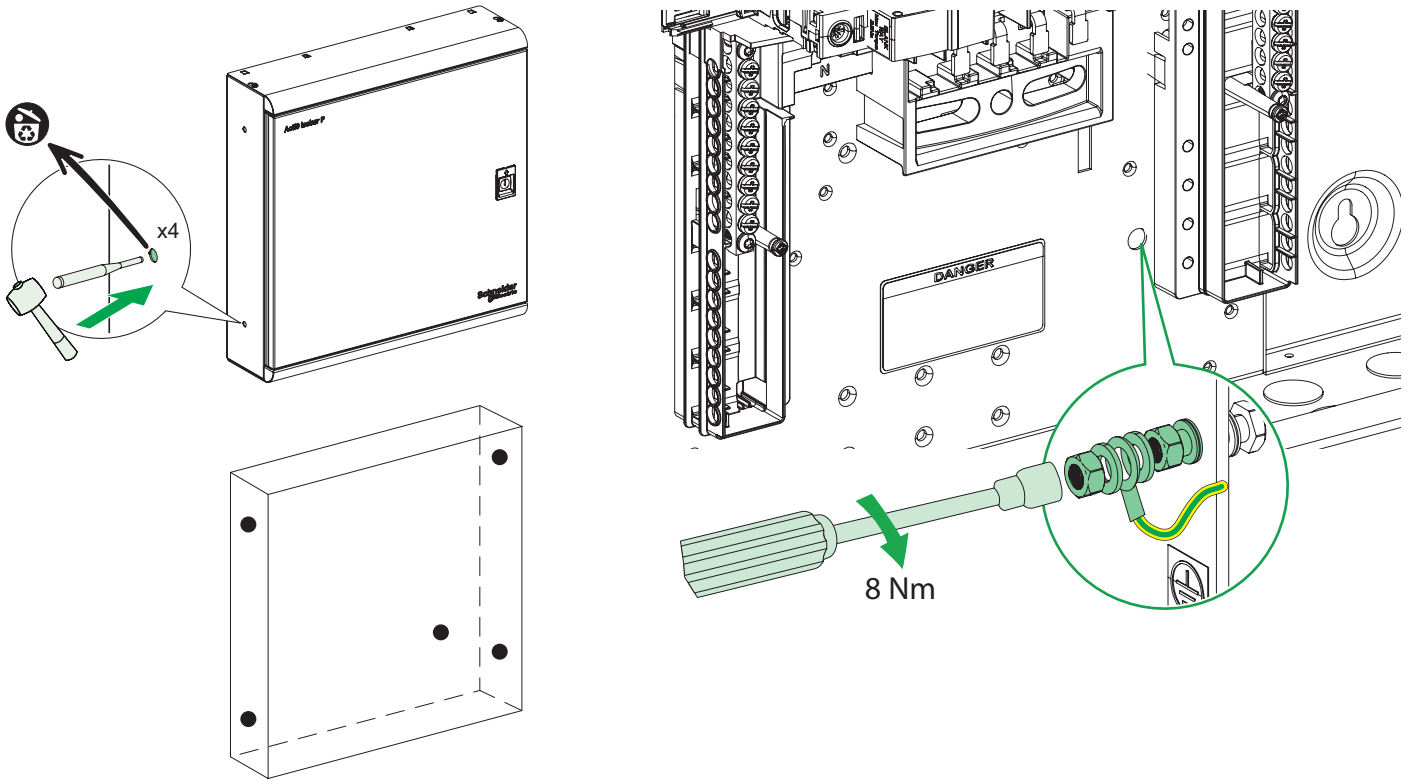
7.2 MCB and Blank Pole Installation



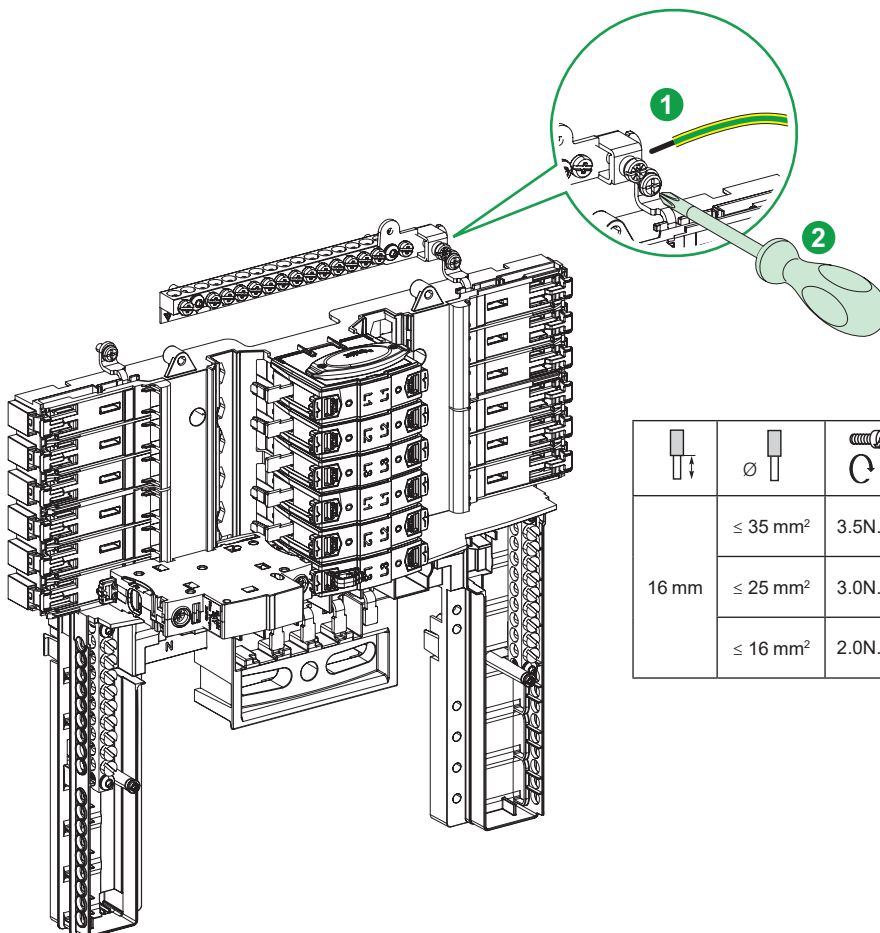
Note: In unused ways, install blank poles SEA9BP if required.

8.1 Main Earth Connection

8.1.1 Earth Bolt Assembly Connection

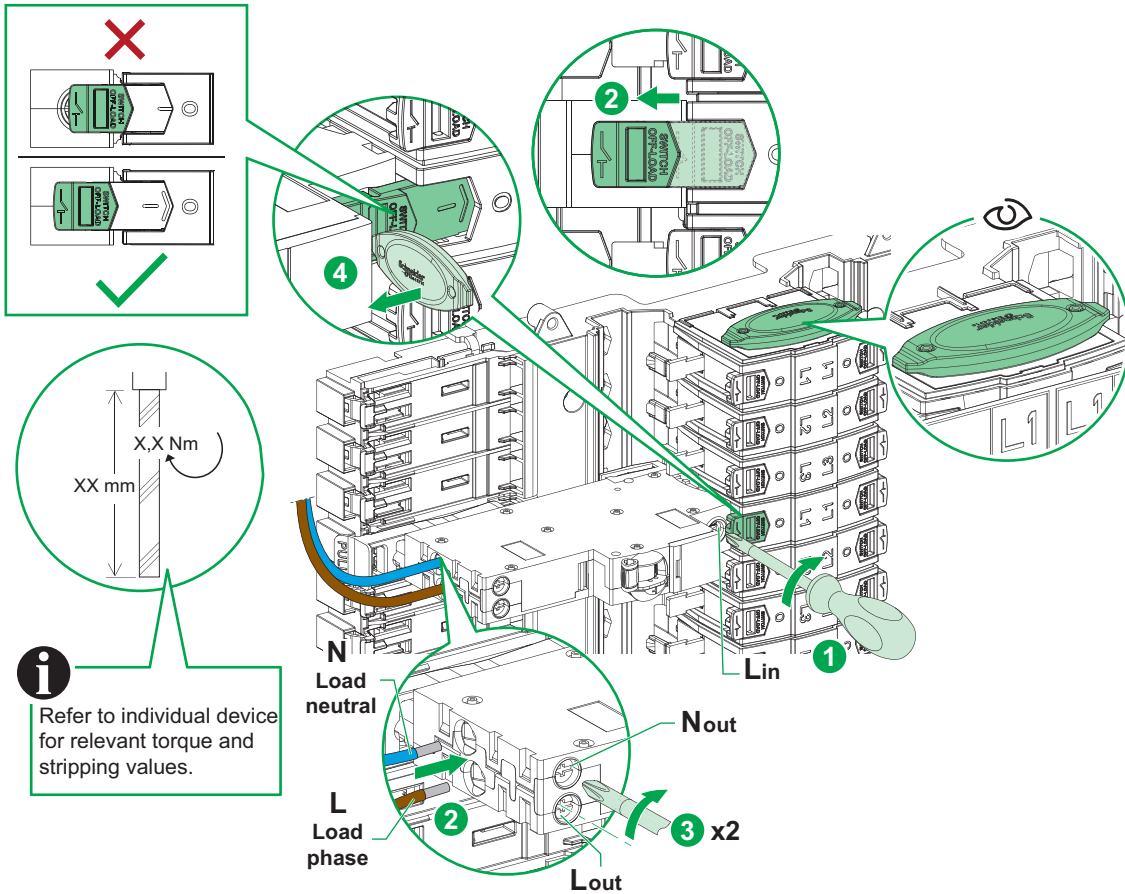


8.1.2 Connection to Main Earth Busbar Lug

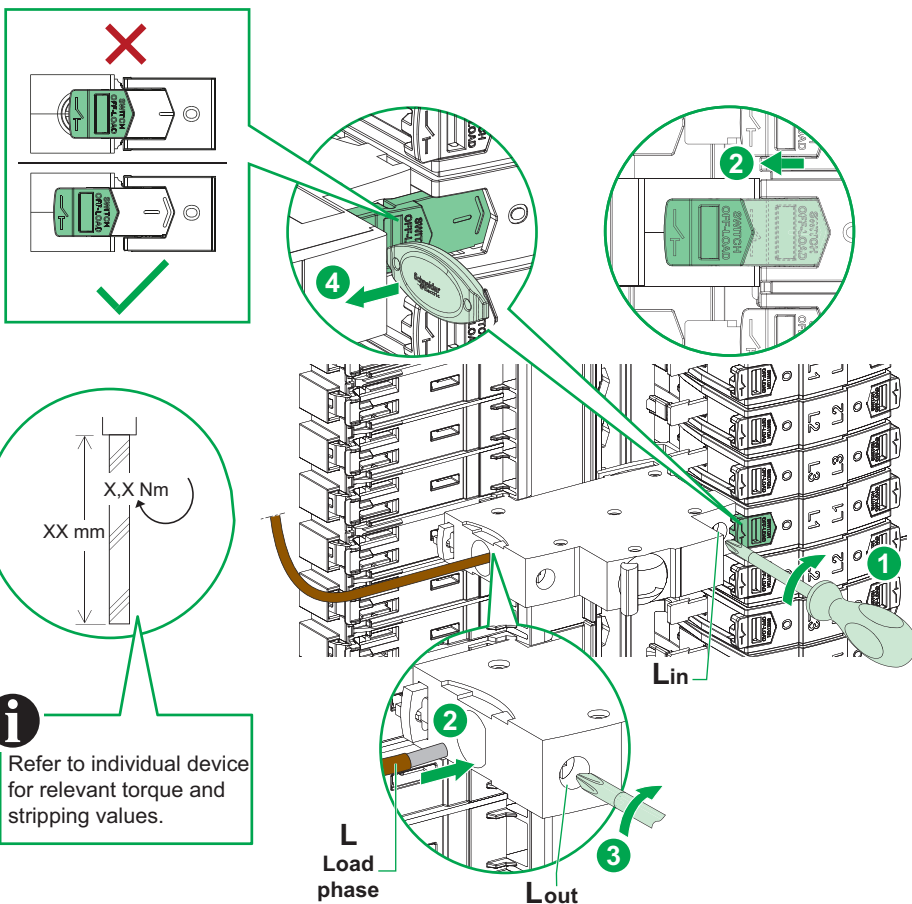


	≤ 35 mm ²	3.5N.m	≤ 35 mm ²	3.5N.m		
16 mm	≤ 25 mm ²	3.0N.m	≤ 25 mm ²	3.0N.m	6.5mm	PZ2
	≤ 16 mm ²	2.0N.m	≤ 16 mm ²	2.0N.m		

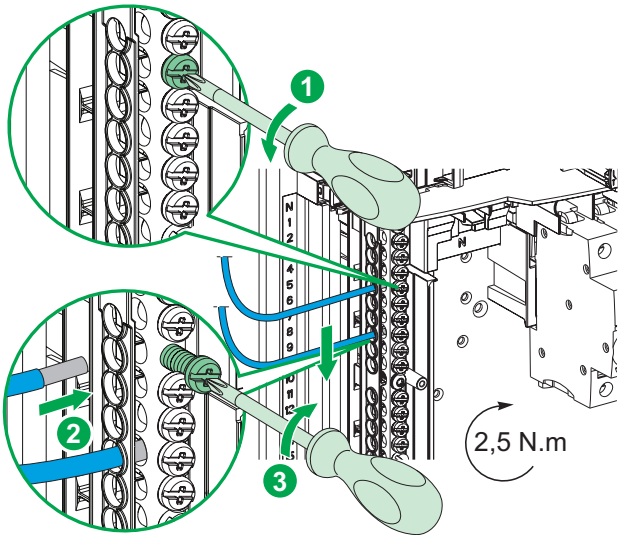
8.2 iC60H RCBO Connection



8.3 MCB Connection



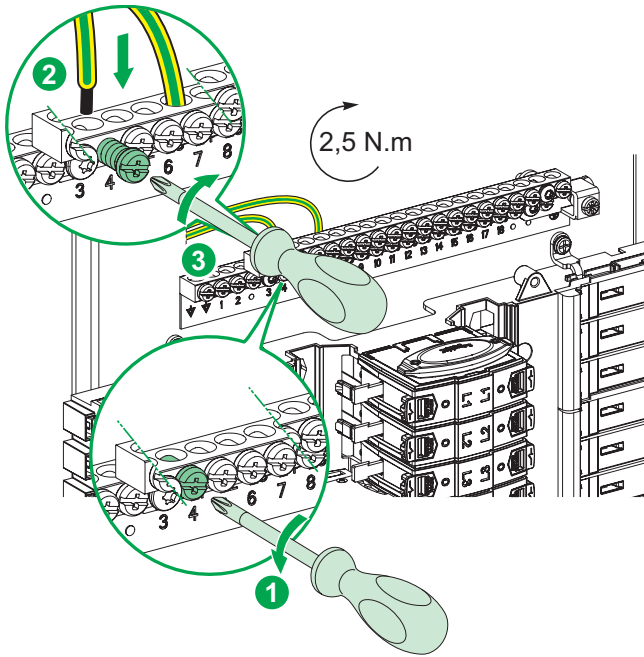
8.4 Neutral Wiring Connection for MCB and IC60H RCBO Only



ISOBAR P Type B Neutral Top Terminal Bars (1 to 9)			
	Max. size (mm ²)	Min. size (mm ²)	Strip length (mm)
Rigid Cable CSA	25	1	16
Flexible Cable CSA	16	1	16

ISOBAR P Type B Neutral Bottom Terminal Bars (10 to 18)			
	Max. size (mm ²)	Min. size (mm ²)	Strip length (mm)
Rigid Cable CSA	16	1	10
Flexible Cable CSA	10	1	10

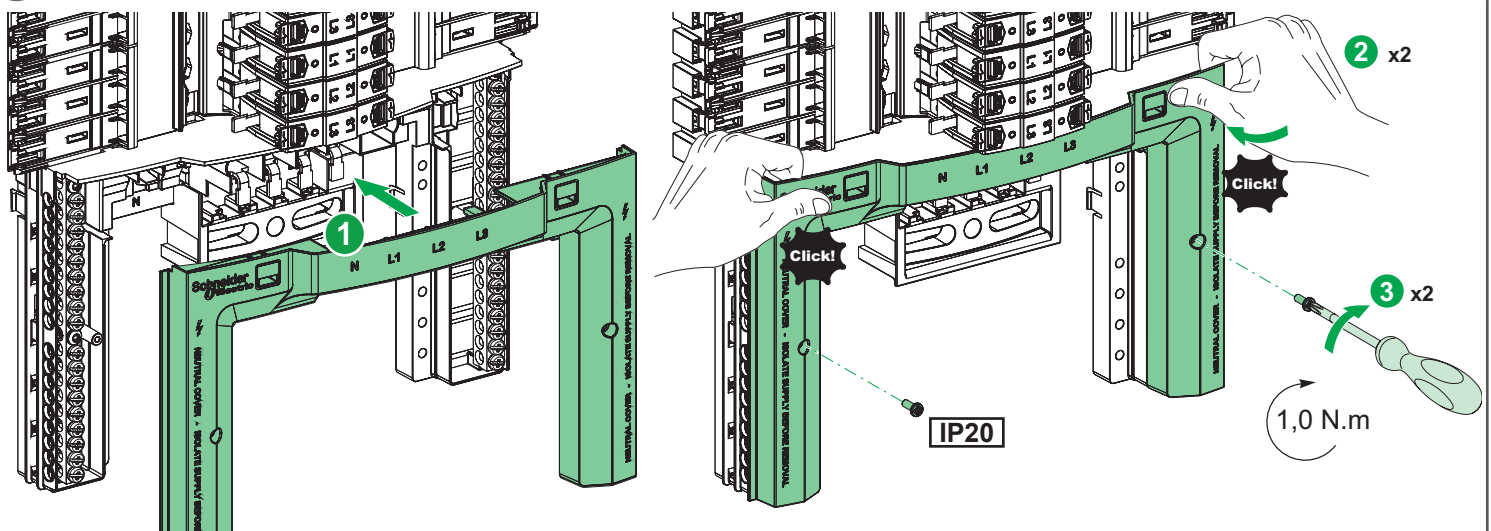
8.5 Functional Earth Connection



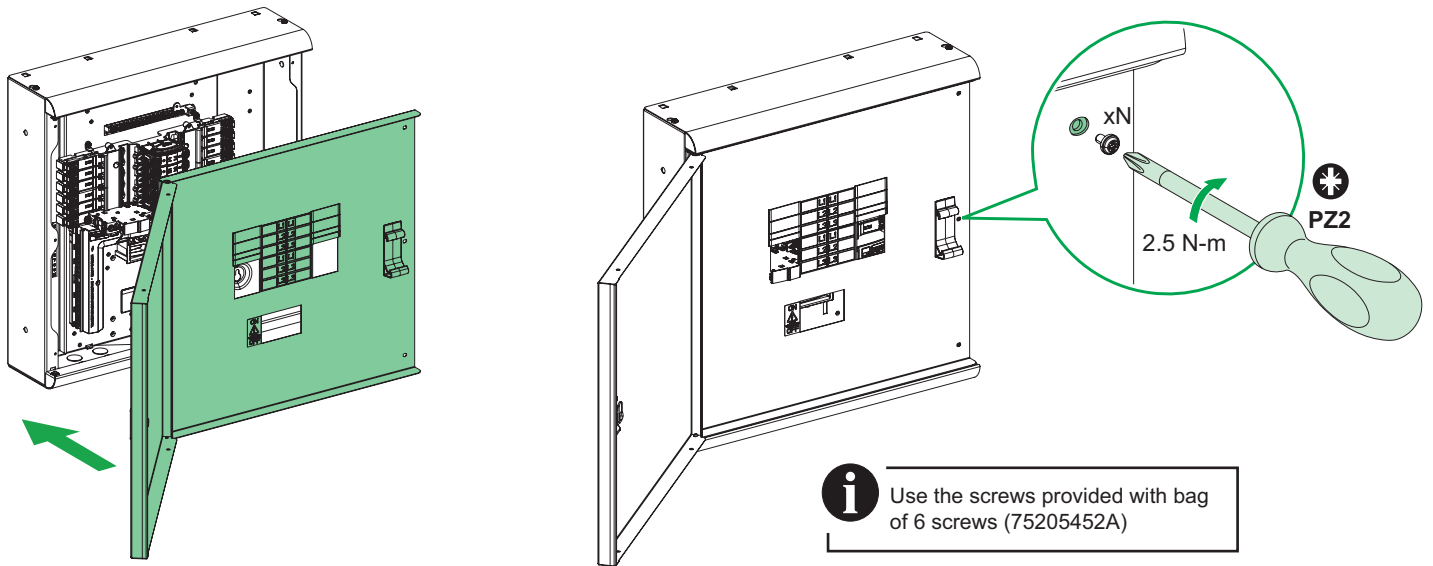
ISOBAR P Type B Earth Terminal Bars			
	Max. size (mm ²)	Min. size (mm ²)	Strip length (mm)
Rigid Cable CSA	25	1	10
Flexible Cable CSA	16	1	10

9

Neutral Shroud Installation



10 Installation of Door/Cover assembly

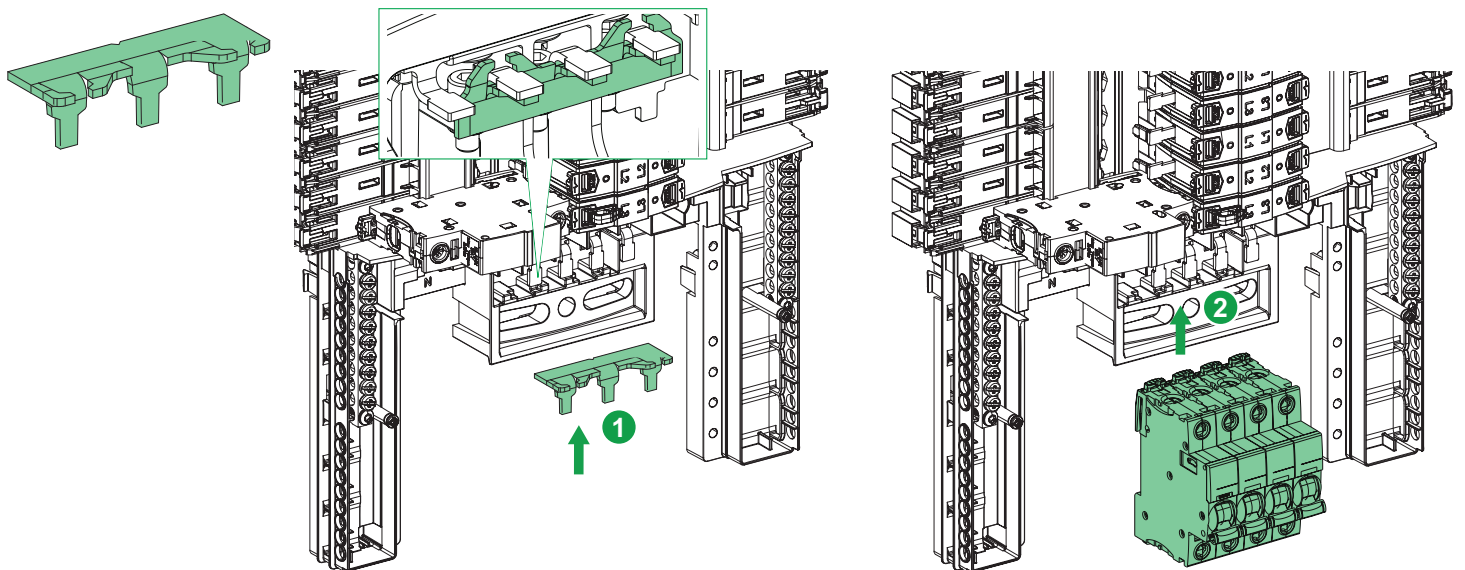


i Use the screws provided with bag of 6 screws (75205452A)

Reference	xN	Reference	xN
SEA9BPN4	6	SEA9BPN18M	6
SEA9BPN6	6	SEA9BPN24M	10
SEA9BPN8	6	SEA9BPN1258S8	8
SEA9BPN12	6	SEA9BPN12514S8	12
SEA9BPN16	6	SEA9BPN12516S6	12
SEA9BPN18	6	SEA9BPN12518S4	12
SEA9BPN24	10	SEA9BPN2508S8	10
SEA9BPN6M	6	SEA9BPN25014S8	14
SEA9BPN8M	6	SEA9BPN25016S6	14
SEA9BPN12M	6	SEA9BPN25018S4	14
SEA9BPN16M	6		

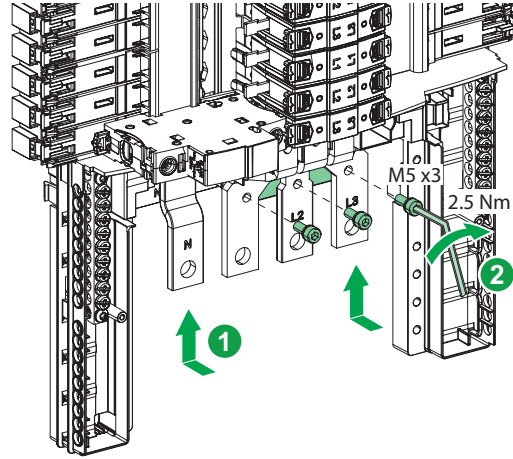
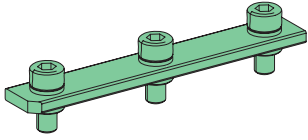
11 Accessories

11.1 Single Phase Kit ≤ Connection 125A SEA9P125SPKIT




11 Accessories

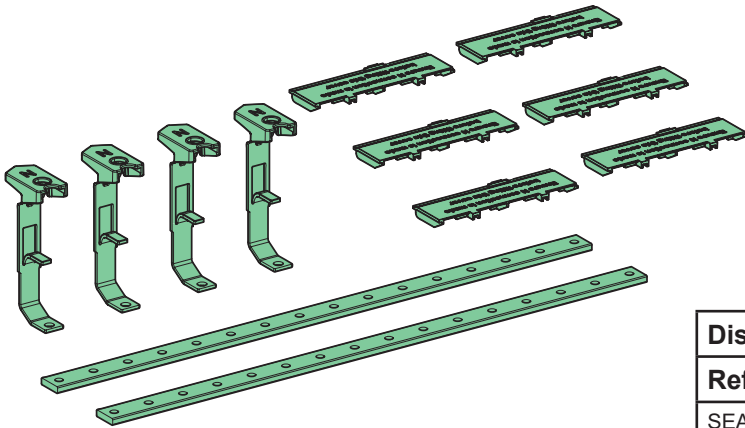
11.2 Single Phase Kit - Connection 250A SEA9250SPEV




i To finish off installation, please refer to the below instruction sheet.


 PHA40643

11.3 Distributed Neutral Kit SEA9N...

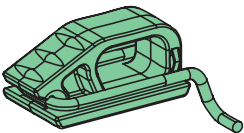


i For more information, please refer to the below instruction sheet.


 PHA52946

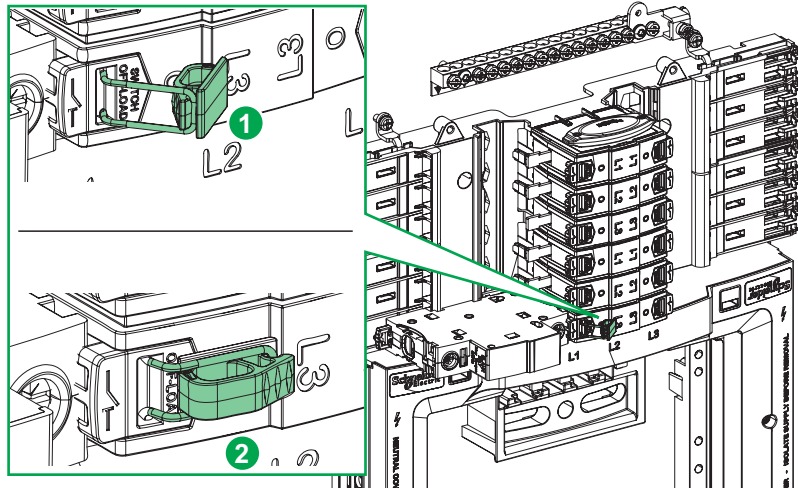
Distributed Neutral Kits		
Reference		No of Ways
SEA9NA6	Distributed neutral for 6 way SP+N	6
SEA9NA10	Distributed neutral for 10 way SP+N	10
SEA9NA14	Distributed neutral for 14 way SP+N	14
SEA9NA18	Distributed neutral for 18 way SP+N	18
SEA9NA27	Distributed neutral for 27 way SP+N	27
SEA9NKIT	Phase to neutral conversion kit (pack 4)	

11.4 Isobar Slider Padlock SEA9ISOPLA

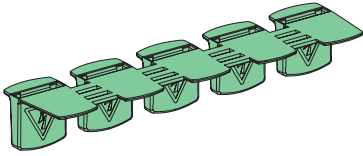


Use for safety and maintenance

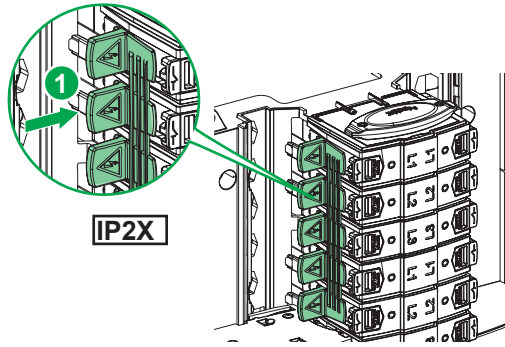
i To be used with conjunction with:
 a) SELACK - Padlock 15mm common key
 b) SELADK - Padlock 15mm unique key



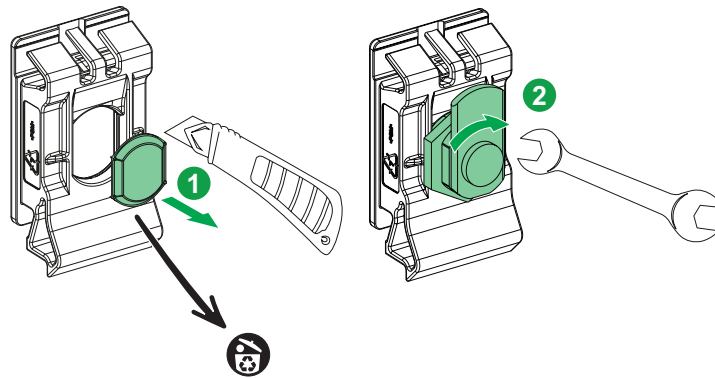
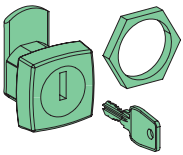
11.5 Tooth Caps A9XPT920



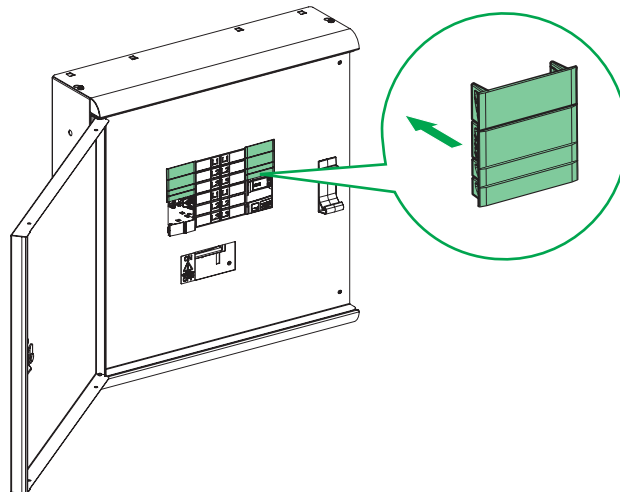
i Blank pole available SEA9BP, refer to section 7.2 of QGH80433 instruction



11.6 Door Lock SEA9BL



11.7 Front Cover Filler SEA9BP3



QGH80433