

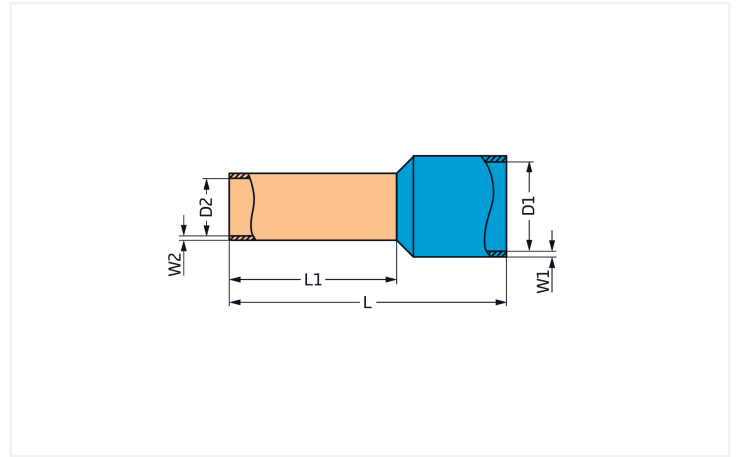
Data Sheet | Item Number: 216-207

Ferrule; Sleeve for 4 mm² / AWG 12; insulated; electro-tin plated; gray

<https://www.wago.com/216-207>



Color: ■ gray



Dimensions in mm

Connection Data

Metric cross-section of the ferrule	4 mm ²
Strip length	12 ... 13 mm / 0.47 ... 0.51 inches
Cross-section (AWG) of ferrule	12 AWG

Physical data

Total length	18 mm
Wall thickness of crimp sleeve	0.2 mm
Wall thickness (plastic collar)	0.3 mm
Crimp length (length of sleeve)	10 mm
Inner diameter of plastic collar	4.8 mm
Diameter crimp sleeve inside	2.8 mm

Mechanical data

Plastic collar	Standard collar
----------------	-----------------

Material data

Color	gray
Fire load	0.003 MJ
Weight	0.2 g

Commercial data

Product Group	2 (Terminal Block Accessories)
PU (SPU)	500 (100) pcs
Packaging type	Bag
Country of origin	DE
GTIN	4055143654708
Customs tariff number	85369010000

Product Classification

UNSPSC	39121405
eCl@ss 10.0	27-40-02-01
eCl@ss 9.0	27-40-02-01
ETIM 9.0	EC000005
ETIM 10.0	EC000005
ECCN	NO US CLASSIFICATION

Environmental Product Compliance

RoHS Compliance Status	Compliant, No Exemption
------------------------	-------------------------

Downloads

Environmental Product Compliance

Compliance Search

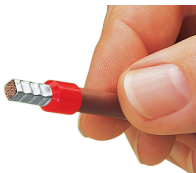
Environmental Product Compliance 216-207	
--	--

Documentation

Bid Text

216-207	19.02.2019	xml 2.80 KB	
216-207	11.09.2017	doc 23.50 KB	

Installation Notes



A perfect gas-tight crimp – both electrical-ly and mechanically reliable

Subject to changes. Please also observe the further product documentation!

Current addresses can be found at: www.wago.com