

MV-IDH2000RF

Wireless Handheld Code Reader



Introduction

MV-IDH2000RF wireless handheld code reader decodes different types of 1D and 2D codes rapidly. With the built-in intelligent code reading algorithm, it can easily decoding codes with spots, defects and low contrast ratio, and entry level DPM codes. With data cable, the code reader can realize charging function.

Key Feature

- Built-in code reading algorithm for decoding different types of 1D codes and 2D codes.
- Provides good robustness to read codes with spots, defects and low contrast ratio.
- Supports continuous code reading, batch code reading for improving code reading efficiency.
- Supports 2.4 G wireless communication with stable and reliable signal.
- Adopts 2700 mAh battery with long standby time.
- IP42 and drop height of 1.8 m.

Applicable Industry

Intelligent manufacturing, retail, logistics, medical treatment, enterprise and public institutions, etc.

Available Model

- 0.3 MP, standard distance, with USB charging base set:
MV-IDH2000RF/03SR/03WN/UC
- 1.3 MP, standard distance, with USB charging base set:
MV-IDH2000RF/13SR/05WN/UC
- 1.3 MP, near distance, with USB charging base set:
MV-IDH2000RF/13NR/05WN/UC
- 0.3 MP, standard distance, handheld code reader only:
MV-IDH2000RF/03SR/03WN
- 1.3 MP, standard distance, handheld code reader only:
MV-IDH2000RF/13SR/05WN
- 1.3 MP, near distance, handheld code reader only:
MV-IDH2000RF/13NR/05WN

Accessories

- Smart base: MV-IDH2000RF/CBASE/U

Specification

Model	MV-IDH2000RF/03SR/03WN MV-IDH2000RF/03SR/03WN/UC
Performance	
Symbologies	1D codes: Code 39, Code 93, Code 128, GS1-Code128, CodaBar, EAN 8, EAN 13, ISBN, ISSN, ITF 25, ITF 14, UPCA, UPCE
	2D codes: QR Code, Data Matrix, MicroQR, Aztec
	Stacked code: PDF417
Min. accuracy	4 mil
Sensor type	CMOS
Resolution	640 × 480
Depth of field*	EAN 13 (13 mil): 30 mm to 240 mm Code 39 (5 mil): 50 mm to 100 mm Code 128 (10 mil): 30 mm to 240 mm Data Matrix (10 mil): 40 mm to 130 mm QR Code (15 mil): 15 mm to 205 mm
Field of view	Horizontal 42°, vertical 32°
Detection angle	Tilt angle ± 60°, skew angle ± 60°, rotation angle 360°
Symbol contrast	20%
Wireless communication	
Communication mode	2.4 G
Wireless range	80 m (open range)
Communication protocol	SmartSDK, USB, 2.4 G
Electrical feature	
Data interface	USB 2.0 (Type B)
Battery	2700 mAh
Charging time	6 h
Endurance	12 h (interval scanning, once in 2 seconds)
Power supply	5 VDC
Current consumption	1.5 A (max.), 0.14 A (during standby)
Mechanical	
Focal length	3.1 mm
Ambient illumination	0 lux to 100000 lux
Light source	White LED
Aiming system	Orange LED
Prompt	LED indicator, buzzer, vibrator
Dimension	66.5 mm × 94 mm × 169.5 mm (2.6" × 3.7" × 6.7")
Weight	Approx. 160 g (0.4 lb.)
Ingress protection	IP42
Temperature	Working temperature: -10 °C to 50 °C (14 °F to 122 °F), storage temperature: -20 °C to 60 °C (-4 °F to 140 °F), charging temperature: 0 °C to 40 °C (32 °F to 104 °F)
Humidity	5% RH to 95% RH (no condensation)
Drop height	1.8 m
General	
Client software	IDMVS
Certification	CE, KC

*Test condition: Environment temperature=25 °C (77 °F), ambient illumination=250 lux filament lamp, Hikrobot's test symbologies are used.

Specification

Model	MV-IDH2000RF/13NR/05WN MV-IDH2000RF/13NR/05WN/UC	MV-IDH2000RF/13SR/05WN MV-IDH2000RF/13SR/05WN/UC
Performance		
Symbologies	1D codes: Code 39, Code 93, Code 128, GS1-Code128, CodaBar, EAN 8, EAN 13, ISBN, ISSN, ITF 25, ITF 14, UPCA, UPCE	
	2D codes: QR Code, Data Matrix, MicroQR, Aztec	
	Stacked code: PDF417	
Min. accuracy	1D codes: 3 mil 2D codes: 4 mil	1D codes: 3 mil 2D codes: 5 mil
Sensor type	CMOS	
Resolution	1280 × 1024	
Depth of field*	Code 128 (3 mil): 30 mm to 110 mm Code 128 (10 mil): 20 mm to 205 mm Data Matrix (5 mil): 40 mm to 85 mm QR Code (10 mil): 20 mm to 140 mm QR Code (20 mil): 20 mm to 200 mm	Code 128 (3 mil): 70 mm to 160 mm Code 128 (10 mil): 30 mm to 440 mm QR Code (10 mil): 45 mm to 235 mm QR Code (15 mil): 20 mm to 360 mm QR Code (20 mil): 20 mm to 460 mm
Field of view	Horizontal 39°, vertical 29°	
Detection angle	Tilt angle ± 60°, skew angle ± 60°, rotation angle 360°	
Symbol contrast	20%	
Wireless communication		
Communication mode	2.4 G	
Wireless range	80 m (open range)	
Communication protocol	SmartSDK, USB, 2.4 G	
Electrical feature		
Data interface	USB 2.0 (Type B)	
Battery	2700 mAh	
Charging time	6 h	
Endurance	12 h (interval scanning, once in 2 seconds)	
Power supply	5 VDC	
Current consumption	1.5 A (max.), 0.14 A (during standby)	
Mechanical		
Focal length	4.9 mm	
Ambient illumination	0 lux to 100000 lux	
Light source	White LED	
Aiming system	Cross laser aiming	
Prompt	LED indicator, buzzer, vibrator	
Dimension	66.5 mm × 94 mm × 169.5 mm (2.6" × 3.7" × 6.7")	
Weight	Approx. 160 g (0.4 lb.)	
Ingress protection	IP42	
Temperature	Working temperature: -10 °C to 50 °C (14 °F to 122 °F), storage temperature: -20 °C to 60 °C (-4 °F to 140 °F), charging temperature: 0 °C to 40 °C (32 °F to 104 °F)	
Humidity	5% RH to 95% RH (no condensation)	
Drop height	1.8 m	
General		
Client software	IDMVS	
Certification	CE, KC	

*Test condition: Environment temperature=25 °C (77 °F), ambient illumination=250 lux filament lamp, Hikrobot's test symbologies are used.

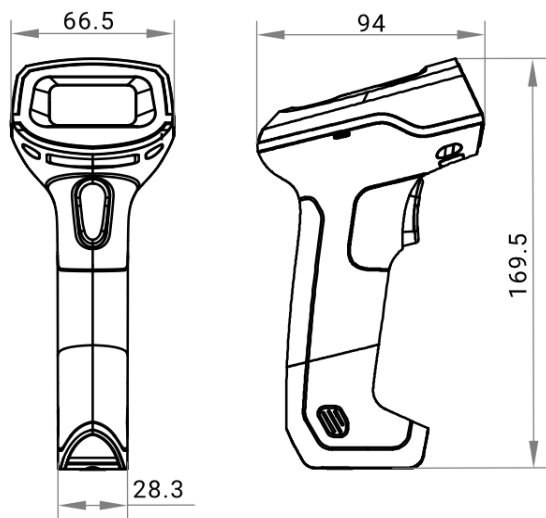
Laser Information of IDH 2000RF Series Product	
Laser safety class	Laser 2
Wavelength	650 nm
Pulse width	8 ms
Maximum power	1 mW

Specification (Smart Base)

Model	MV-IDH2000RF/CBASE/U
Electrical feature	
Data interface	USB 2.0 (Type B), USB 2.0 (Type A)
Power supply	5 VDC
Current consumption	1.5 A (max.), 0.01 A (during standby)
Mechanical	
Dimension	82.6 mm × 121.8 mm × 76.1 mm (3.3" × 4.8" × 3.0")
Weight	Approx. 120 g (0.3 lb.)
Ingress protection	IP40
Temperature	Working temperature: -10 °C to 50 °C (14 °F to 122 °F) Storage temperature: -20 °C to 60 °C (-4 °F to 140 °F)
Humidity	5% RH to 95% RH (no condensation)

Dimension

Code reader:



Smart base:

