

Ceiling mounted occupancy detectors - 1-channel

PD4-M-1C-C-PS



white mat, similar to RAL9010 , Part No. 92480 white mat, similar to RAL9010 , Part No. 92485

Product Information

- Occupancy detector with NO contact and safety circuit by NC contact
- Guarantees illumination even if sensor fails
- Designed for corridors
- Version as master device
- Detection area can be extended with slave devices
- Manual switching via push-button possible
- Additional functions can be set up using the optional remote control.
- Factory settings 10 min and 500 lux
- There are markings to ensure correct alignment during installation
- **Application examples:**
corridors/hallways

Technical Data

Voltage:	110 - 240 V AC 50 / 60 Hz
Dimensions:	SM= Ø 101 x 76 mm FC= Ø 97 x 103 mm
Power consumption:	approx. 0.7 W
Detection area:	horizontal 360° (Ceiling mounting)
Range:	max. 40 m x 5 m across max. 20 m x 3 m towards

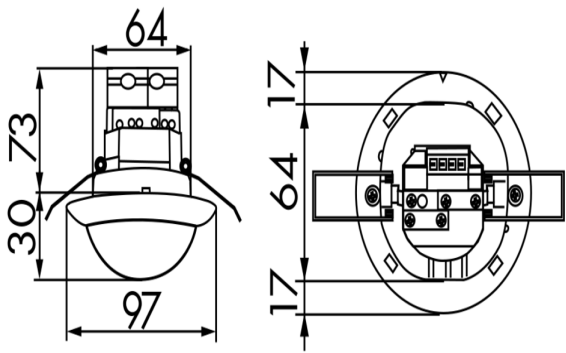
Monitored area (tangential movement):	250 m ² / 2.5 m mounting height
Mounting height min./max./recommended:	2.4 m / 2.6 m / 2.5 m
Degree / class of protection:	SM= IP54 / Class II FC= IP20 / Class II
Ambient temperature:	-25 °C to +50 °C
Housing:	polycarbonate, UV-resistant
Channel 1 (lighting control)	
Switching power:	2300 W, cos φ = 1 1150 VA, cos φ = 0.5 300 W LED max. inrush current I _p (20 ms) = 120 A
Type of contact:	1x μ-contact, NO contact with tungsten pre-make contact, additional NC-safety contact
Follow-up time:	15 sec - 30 min, Pulse
Switch-on threshold:	10 - 2000 Lux Mixed light measuring

Description

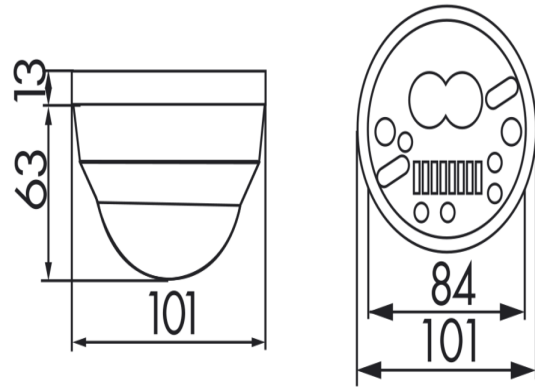
Description	Colour	Part number	EAN number
PD4-M-1C-C-PS-FC	white mat, similar to RAL9010	92480	4007529924806
PD4-M-1C-C-PS-SM	white mat, similar to RAL9010	92485	4007529924851

Accessory

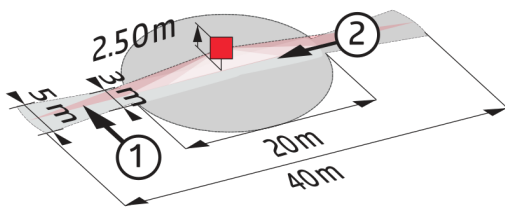
Description	Colour	Part number	EAN number
BLE-IR-Adapter	black	93067	4007529930678
IR-PD-1C	-	92520	4007529925209
IR-PD-1C-E	-	92077	4007529920778
IR-PD-Mini	-	92159	4007529921591
Wire basket BSK (Ø 200 x 90 mm)	white	92199	4007529921997
RC-Arc extinction kit	white	10880	4007529108800
Mini-RC-Arc extinction kit	black	10882	4007529108824
Square design frame PD4-FC	pure white mat, similar to RAL9010	92992	4007529929924



Dimensions 92480

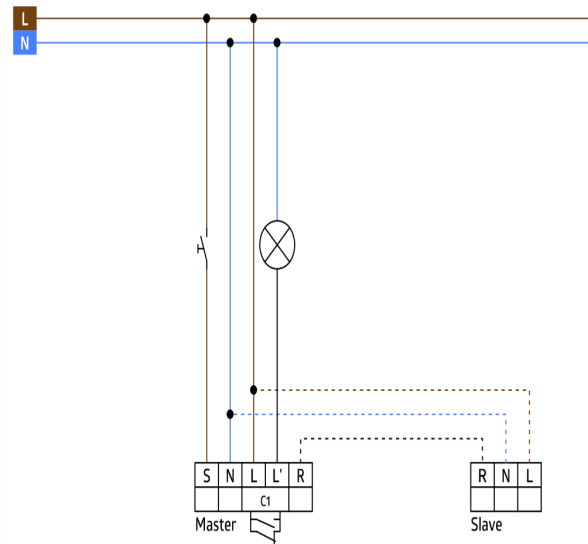


Dimensions 92485



Range diagram

- 1: Walking across
- 2: Walking towards



Wiring diagrams