

Ceiling mounted occupancy detectors - Duo/ Trio

PD4-M-3C-TRIO



white mat, similar to
RAL9010 , Part No. 92740



white mat, similar to
RAL9010 , Part No. 92745

Product Information

- Occupancy detector particularly for classrooms and training classrooms
- Two contacts, one of them dry, for two groups of light, separate switching possible
- One potential-free contact for blackboard illumination or HVAC
- One common detection area
- Two independent, movable light sensors
- Manual switching possible via two or three pushbuttons
- Version as master device
- Detection area can be extended with slave devices
- Additional functions can be set up using the optional remote control.
- Relay with tungsten pre-make contact, optimised for LED loads
- **Application examples:**
open-plan offices, conference rooms, classrooms/seminar rooms

Technical Data

Voltage:	110 - 240 V AC 50 / 60 Hz
Dimensions:	SM= Ø 124 x 85 mm FC= Ø 117 x 100 mm
Power consumption:	approx. 0.5 W
Detection area:	horizontal 360° (Ceiling mounting)
Range:	max. Ø 24 m across

max. Ø 8 m towards
max. Ø 6.4 m seated

**Monitored area
(tangential movement):** 450 m² / 2.5 m mounting height

**Mounting height
min./max./recommended:** 2 m / 10 m / 2.5 m

**Degree / class of
protection:** SM= IP20 / Class II
FC= IP20 / Class II

Ambient temperature: -25 °C to +50 °C

Housing: polycarbonate, UV-resistant

Channel 1 (lighting control)

Switching power: 3000 W, cos φ = 1
1500 VA, cos φ = 0.5
300 W LED
max. inrush current I_p (20 ms) = 165 A
max. inrush current I_p (200 μs) = 800 A

Type of contact: 1x μ-contact, NO contact with tungsten pre-make contact

Switch-on threshold: 10 - 2000 Lux

Channel 2 (lighting control potential-free (dry))

Switching power: 3000 W, cos φ = 1
1500 VA, cos φ = 0.5
300 W LED
max. inrush current I_p (20 ms) = 165 A, I_p (200 μs) = 800 A

Switch-on threshold: 10 - 2000 Lux

Type of contact: 1x μ-contact, dry NO contact with tungsten pre-make contact

Channel 3 (HVAC control or lighting control, potential-free (dry))

Switching power: 3000 W, cos φ = 1
1500 VA, cos φ = 0.5
300 W LED
max. inrush current I_p (20ms) = 120 A

Type of contact: 1x μ-contact, dry NO contact

Channel 1 to channel 3

Follow-up time: 1 min - 90 min

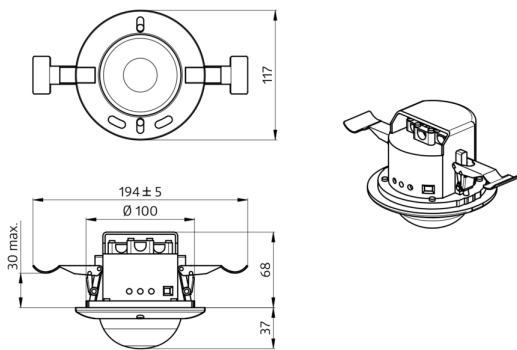
Mixed light measuring

Description

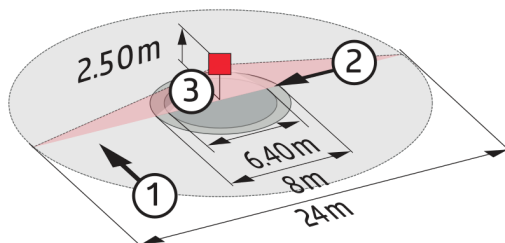
Description	Colour	Part number	EAN number
PD4-M-3C-TRIO-SM	white mat, similar to RAL9010	92740	4007529927401
PD4-M-3C-TRIO-FC	white mat, similar to RAL9010	92745	4007529927456

Accessory

Description	Colour	Part number	EAN number
IR-PD4-TRIO-3C	-	92851	4007529928514
Wire basket BSK (Ø 164 x 143 mm)	white	92467	4007529924677
RC-Arc extinction kit	white	10880	4007529108800
Mini-RC-Arc extinction kit	black	10882	4007529108824
Socket IP54 PD4-TRIO-SM	white	92386	4007529923861
BLE-IR-Adapter	black	93067	4007529930678

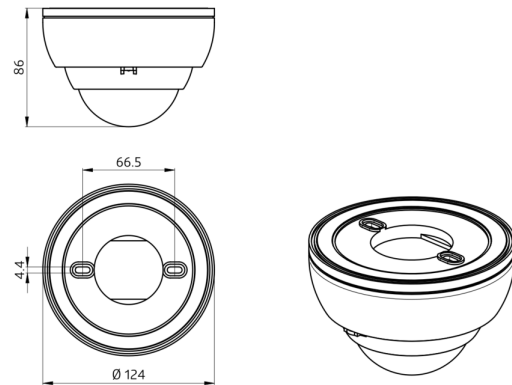


Dimensions 92745

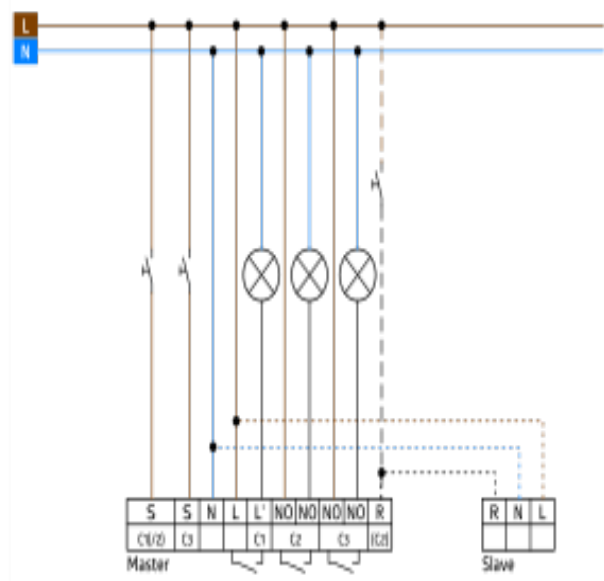


Range diagram

1: Walking across



Dimensions 92740



Wiring diagrams

- 2: Walking towards
- 3: Seated activity

© 2022 B.E.G. Brück Electronic GmbH