

DALI-LINK - Control devices

PBM-DALI-LINK-4W



white , Part No. 93396

Product Information

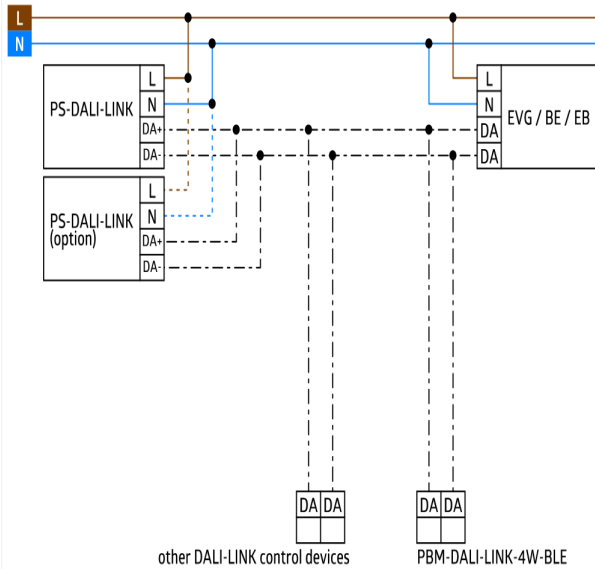
- Binary DALI input device for installation in in-wall sockets
- 4 inputs for conventional push buttons, freely configurable
- Operating modes: Standard, staircase or scene mode
- Integrated LED to determine location of dismantled device
- Integrated buzzer to determine location of installed device
- DIP- and HEX-switch for quick commissioning with basic functionality
- Full range of functions can only be activated with other products of the product group B.E.G. LUXOMAT[®] net DALI-LINK

Technical Data

Voltage:	via DALI Bus, max. 22 V
Dimensions:	38 x 38 x 12 mm
Settings:	via DIP switch, HEX switch, B.E.G. BLE App
typ. power input:	7 mA
Ambient temperature:	-25 °C to +50 °C
Housing:	polycarbonate, UV-resistant
Cable length:	50 cm
Follow-up time:	1 min - 150 min (staircase mode only)

Description

Description	Colour	Part number	EAN number
PBM-DALI-LINK-4W	white	93396	4007529933969



Wiring diagrams

© 2022 B.E.G. Brück Electronic GmbH