

Occupancy detectors DALI Compact - 1-channel Broadcast

PD11-M-DACO-FLAT DALI-2



white mat, similar to
RAL9010 , Part No. 93459

Product Information

- Occupancy detector with integrated DALI application controller for energy-efficient lighting control
- DALI-2 certified product
- Integrated DALI power supply
- DALI interface for controlling digital, dimmable ECGs in broadcast mode
- Manual switching or dimming via conventional pushbuttons
- Bidirectional IR communication enables fast integration into the project management function of the B.E.G. One app
- Complete range of functions can only be activated using the BLE-IR-Adapter and a compatible Smartphone or Tablet (Android, iOS).
- Semi-automatic, full automatic, presence-independent or light-independent mode adjustable
- Adjustable regulation dynamics (minimum and maximum values)
- Adjustable speed and delay of the regulation
- Single master version, not networkable
- Detection area can be extended with slave devices
- Measuring of mixed light thanks to internal light sensor
- DALI output power can be increased with accessories
- Integrated daylight harvesting circuit (or switch output)
- Adjustable switch-on value
- Last value - Reminder function for switch-on value
- Adjustable brightness set value and reflection factor
- Indication of the current light sensor value in the B.E.G. One App
- Self-check and display of device errors in the B.E.G. One App
- Status LEDs can be activated / deactivated

- PIN code
- Corridor function - Deactivates the possibility to switch off the light via the push-button
- Number of DALI participants can be determined quickly and reliably via the B.E.G. Online DALI Line Planner
- Software is backwards compatible with the first generation (except DSI, double lock and corridor function)
- Factory setting 10 min follow-up time and 500 lux brightness set value
- Spring clips for quick and easy installation in suspended ceilings and light fittings
- Includes blinds and clamp ring for installation into light fittings
- Accessory for surface mounting available
- **Application examples:**
small offices, open-plan offices

Technical Data

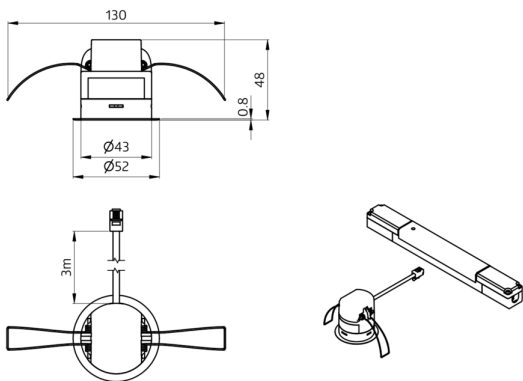
Voltage:	230 V AC ±10% 50 Hz
Dimensions:	Sensor head: Ø 43 x 48 mm, Power supply: 240 x 26 x 26 mm
Power consumption:	approx. 2 W
slave devices:	up to 8
Detection area:	horizontal 360° (Ceiling mounting)
Range:	max. Ø 9 m across max. Ø 6 m towards max. Ø 3 m seated
Monitored area (tangential movement):	63 m ² / 2.5 m mounting height
Mounting height min./max./recommended:	2 m / 5 m / 2.5 m
Degree / class of protection:	IP20 / Class II
Impact strength:	IK02
Ambient temperature:	-25 °C to +50 °C
Housing:	polycarbonate, UV-resistant
Cable length:	50 cm
	Channel 1 (lighting control)
DALI output:	80 mA (guaranteed), 125 mA (max.), Shut-down mechanism
supported control gear:	DT0. DT5. DT6. DT7
supported control devices:	- (single master)
Follow-up time:	1 min - 150 min
Orientation light:	10 - 30 % / OFF / 5 min - 60 min / ∞
Brightness set value:	10 - 2500 Lux Mixed light measuring

Description

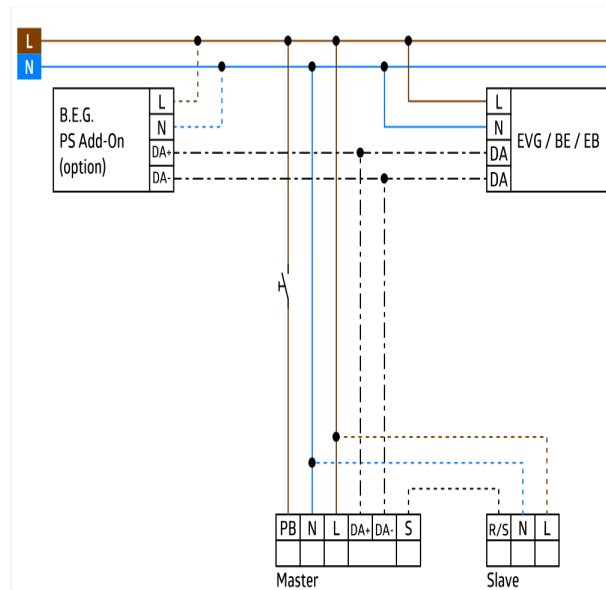
Description	Colour	Part number	EAN number
PD11-M-DACO-FLAT DALI-2	white mat, similar to RAL9010	93459	4007529934591

Accessory

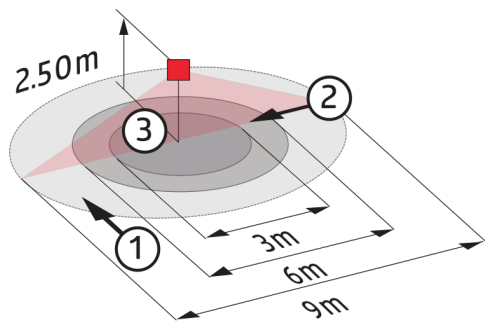
Description	Colour	Part number	EAN number
BLE-IR-Adapter	black	93067	4007529930678
IR-Adapter for Smartphones	black	92726	4007529927265
IR-PD-DALI	-	92094	4007529920945
IR-PD-DALI-LD	-	92652	4007529926527
IR-PD-DALI-E	-	92122	4007529921225
IR-PD-DALI-Mini	-	92112	4007529921126
In-wall mounting set / PD11	white	92833	4007529928330
Cover ring PD11	white mat, similar to RAL9010	92692	4007529926923
Square design frame PD11-FC	white mat, similar to RAL9010	92994	4007529929948
Surface mounting socket PD11	white	92121	4007529921218



Dimensions 93459



Wiring diagrams



Range diagram

- 1: Walking across
- 2: Walking towards
- 3: Seated activity

© 2022 B.E.G. Brück Electronic GmbH