

## PD4N-KNXs-ST



white mat, similar to RAL9010 , Part No. 93514      white mat, similar to RAL9010 , Part No. 93515

### Product Information

- KNX occupancy detector with integrated KNX bus connector
- KNX Secure ready
- Parameterisation from ETS 5 for integration into KNX systems
- Individual adaption of detection sensitivity for each PIR sensor
- PIR sensors can be deactivated individually
- Direction of movement can be identified
- Mixed light measurement using internal, external and remote (optional) light sensors
- Intelligent semi-automatic mode, occupancy-independent regulating mode (photoelectric switch), full automatic mode
- 1 x light output (for regulating or switching), 1 x slave output, 3 x HVAC outputs (separately programmable)
- Regulation of up to three lighting groups using offset (external influence possible)
- Short presence, self-adjusting follow-up time, corridor function
- Various locking functions
- Soft-start
- Recall of light scenes
- Deactivatable status indicators
- The product database for import into the ETS database can be downloaded from the B.E.G. homepage.
- Detection area can be extended thanks to master-slave-mode
- Extensive optimization options for light measurement
- Measured light value is communicated to the bus
- Adaption of dimming curve
- Bidirectionally remote control-capable with the IR adapter and the B.E.G. smartphone app
- PIN code

- IR remote control-capable via IR remote control (optionally)
- Programming button (phys. address) can be operated via remote control
- HVAC mode (0=automatic, 1=comfort, 2=stand-by, 3=economy, 4=antifreeze/heat protection)
- Manual influence via external KNX push buttons possible
- Function control (heartbeat, cyclical sending)
- Forced switch-off
- Intelligent central-off function
- Premonition of switch-off
- Burn-in function for fluorescent lamps selectable from 1h till 100h
- Behaviour upon bus voltage return definable at choice
- Variable safety pause after switching off the lights
- **Typical applications:**  
monitoring of large areas like underground garages, gyms, warehouses, loading ramps, halls

---

## Technical Data

<b>Voltage:</b>	via KNX BUS
<b>Dimensions:</b>	FM= Ø 106 x 55 mm FC= Ø 106 x 74 mm
<b>typ. power input:</b>	12 mA
<b>Detection area:</b>	horizontal 360° (Ceiling mounting)
<b>Range:</b>	max. Ø 24 m across max. Ø 8 m towards max. Ø 6.4 m seated
<b>Monitored area (tangential movement):</b>	450 m <sup>2</sup> / 2.5 m mounting height
<b>Mounting height min./max./recommended:</b>	2 m / 10 m / 2.5 m
<b>Degree / class of protection:</b>	FM= IP20 / Class III FC= IP20 / Class III
<b>Impact strength:</b>	IK04
<b>Ambient temperature:</b>	-25 °C to +55 °C
<b>Housing:</b>	polycarbonate, UV-resistant
<b>Number of light sensors:</b>	2
<b>Number of PIR sensors:</b>	4
<b>KNX TP 256:</b>	Yes
<b>Orientation light:</b>	5 - 100 % / OFF / 1 min - 255 min
<b>Night light:</b>	5 - 100 %
<b>Brightness set value:</b>	5 - 2000 Lux

---

## Description

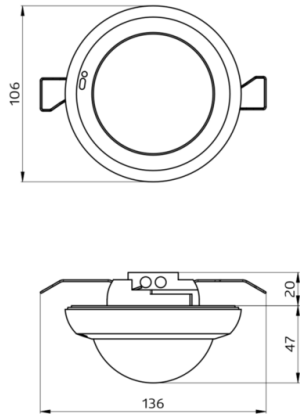
<b>Description</b>	<b>Colour</b>	<b>Part number</b>	<b>EAN number</b>
PD4N-KNXs-ST-FC	white mat, similar to RAL9010	93514	4007529935147
PD4N-KNXs-ST-FM	white mat, similar to RAL9010	93515	4007529935154

---

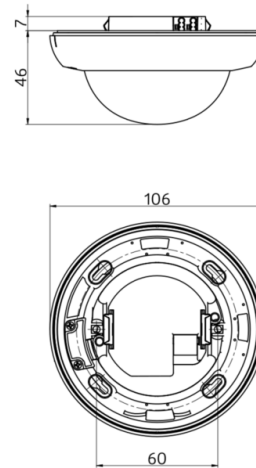
## Accessory

<b>Description</b>	<b>Colour</b>	<b>Part number</b>	<b>EAN number</b>
BLE-IR-Adapter	black	93067	4007529930678
IR-PD-KNX	-	92123	4007529921232
Corridor lens PD4N type A	white, similar to RAL9010	93073	4007529930739
SM socle mounting set IP54 PD2N- / PD4N-FM	white	93307	4007529933075
lens PD4N, Cover ring	anthracite mat, similar to RAL7016	93731	4007529937318
lens PD4N, Cover ring	black mat, similar to RAL9005	93733	4007529937332
lens PD4N, Cover ring	traffic white mat, similar to RAL9016	93732	4007529937325
Corridor lens PD4N type A, Cover ring	traffic white mat, similar to RAL9016	93742	4007529937424
Corridor lens PD4N type A, Cover ring	anthracite mat, similar to RAL7016	93741	4007529937417
Corridor lens PD4N type A, Cover ring	black mat, similar to RAL9005	93743	4007529937431
Wire basket BSK (Ø 200 x 90 mm)	white	92199	4007529921997

---



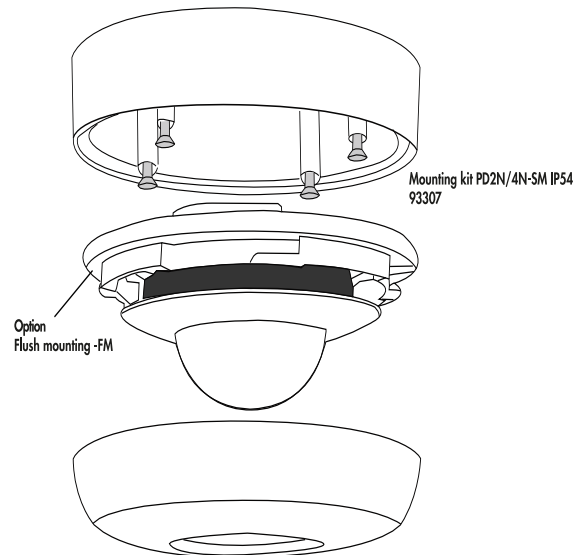
Dimensions 93514



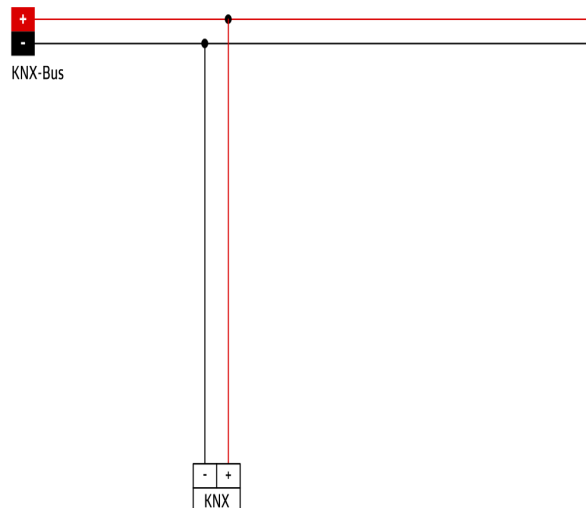
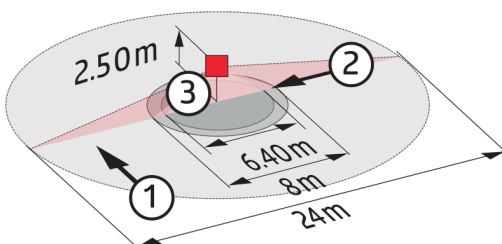
Dimensions 93515



Surface-mount version (SM)



Surface-mount version (SM)



## Range diagram

- 1: Walking across
- 2: Walking towards
- 3: Seated activity

## Wiring diagramms

---

© 2022 B.E.G. Brück Electronic GmbH