

DALI-SYS - Control devices

PICO-DALI-SYS



white , Part No. 93909

Product Information

- Mini DALI multisensor with only 11mm installation depth for installation in luminaires
 - Powered via DALI bus
 - Seamless integration in B.E.G. LUXOMAT[®] net DALI-SYS
 - Detection area can be extended thanks to master-slave-mode
 - Semi-automatic, full-automatic or twilight switch mode
 - Integrated daylight harvesting circuit (or switch output)
 - Guided Light, Soft-Start PLUS, Orientation light PLUS
 - Works out-of-the box for easy installation check
 - Full range of functions can only be activated with other products of the product group B.E.G. LUXOMAT[®] net DALI-SYS
 - **Application examples:**
entrance halls, small offices, conference rooms, staircases, toilets, equipment rooms, open-plan offices
-

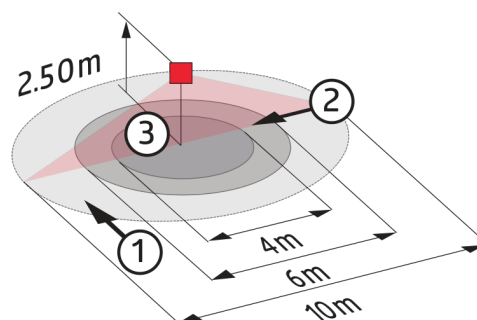
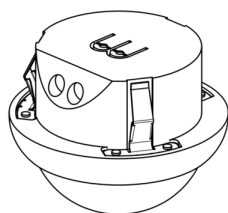
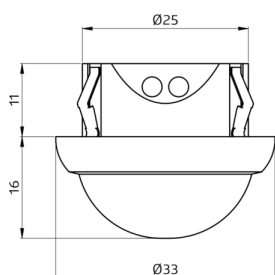
Technical Data

Voltage:	via DALI Bus, max. 22.5 V DC
Dimensions:	Ø 33 x 27 mm
Settings:	B.E.G. DALI-SYS ROUTER / B.E.G. DALI-SYS PC-Tools
typ. power input:	2 mA
Detection area:	horizontal 360° (Ceiling mounting)
Range:	max. Ø 10 m across max. Ø 6 m towards

	max. Ø 4 m seated
Monitored area (tangential movement):	78 m ² / 2.5 m mounting height
Mounting height min./max./recommended:	2 m / 5 m / 2.5 m
Degree / class of protection:	IP20 / Class II
Ambient temperature:	-25 °C to +55 °C
Housing:	polycarbonate, UV-resistant
Brightness set value:	5 - 2500 Lux

Description

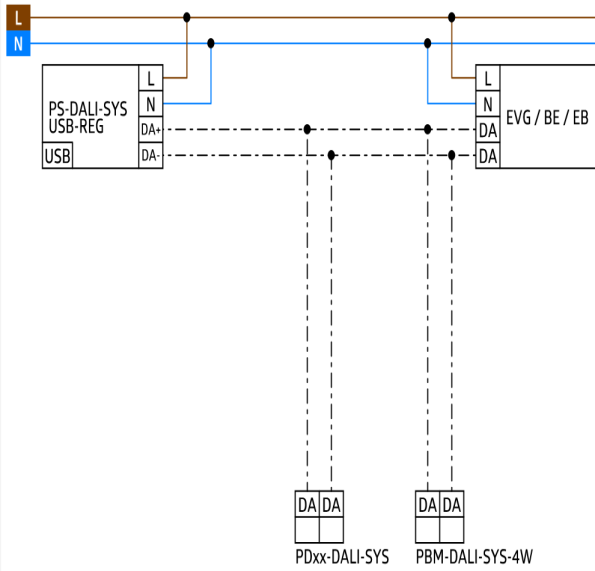
Description	Colour	Part number	EAN number
PICO-DALI-SYS-FC	white	93909	4007529939091



Dimensions 93909

Range diagram

- 1: Walking across
- 2: Walking towards
- 3: Seated activity



Wiring diagrams