



Powering Business Worldwide

MEMSHIELD 3 TYPE B TPN DISTRIBUTION BOARD

Instruction leaflet LT1180 (01/21)

IMPORTANT NOTES

1. This product should be installed, commissioned and maintained by or under the supervision of a competent electrician in accordance with current electrical engineering Codes of Practice, Regulations for the Electrical equipment of Buildings (BS7671), CDM2007 - Construction (Design and Management) Regulations 2007, HSG150 Health and Safety in Construction, Statutory requirements and any Specific instruction issued by the Company.
2. After completing the installation and testing of this product it is essential that this leaflet is drawn to the attention of the person responsible for its future operation and maintenance, and is at all times available for ready reference.
3. These notes assume throughout that the product is disconnected from the supply. It is essential that this is done before any work is carried out.

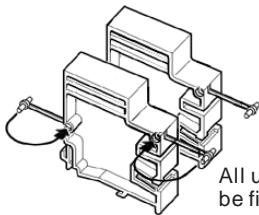
These Distribution Boards are designed only for use with MCB's and RCBO's as listed in the current Memshield 3 catalogue.

Failure to comply will result in invalid warranty and certification.

CAUTION

Do not fit SP & SN, or 4 pole MCB's in TP type B board

FITTING AN MCB/RCBO



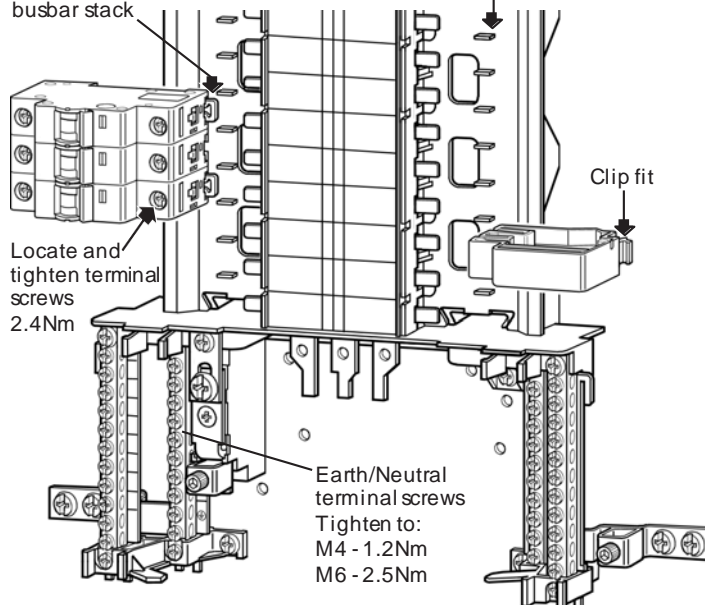
All unused ways must be fitted with a blanking module, assembled and fitted in gangs of 3.

Before fitting to busbar ensure MCB terminal is fully open

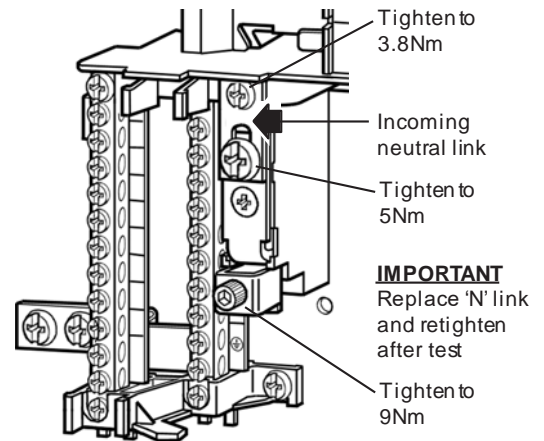


IMPORTANT:
Orientate MCB clip next to busbar stack

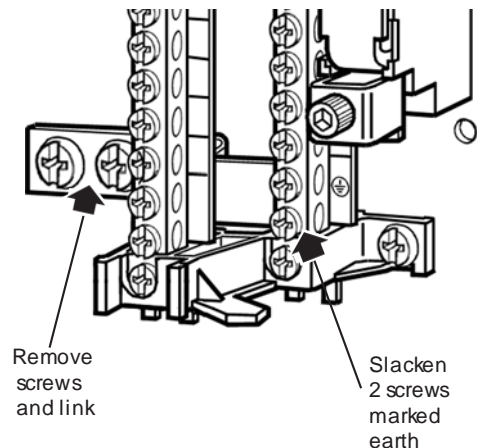
Busbar assembly can be removed for ease of installation



NEUTRAL LINK DISCONNECTION



CLEAN EARTH



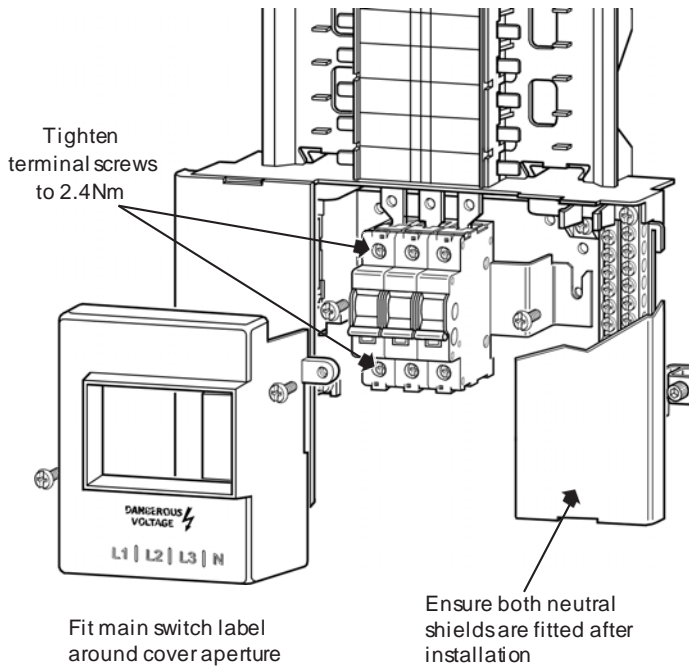
When fitting an RCBO, trim RCBO 'N' cable to length and connect to 'N' busbar terminal.
Connect load live/neutral cable direct to RCBO.

FITTING EBMS1253

125A Switch Disconnecter Kit

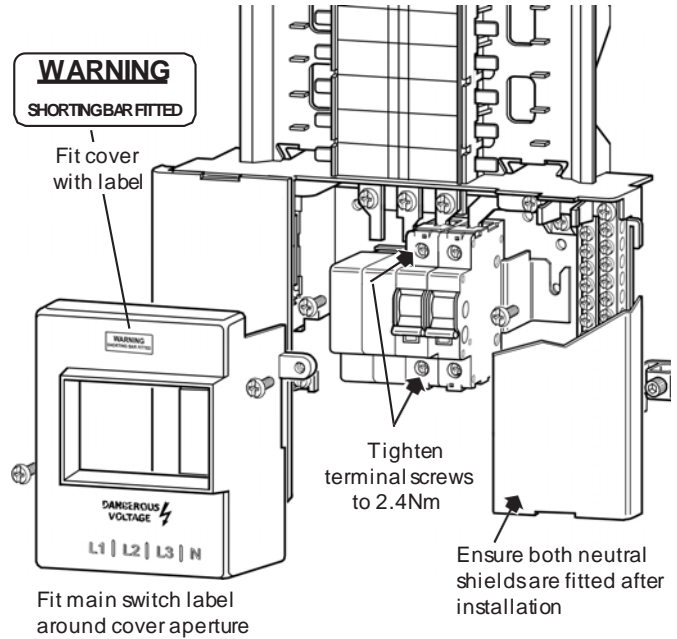
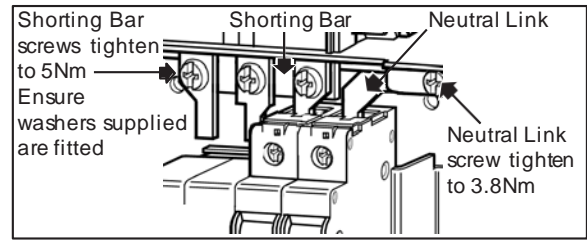
NOTE

125A Incoming device kits will fit both 125A and 250A Boards



FITTING EBMS1251N

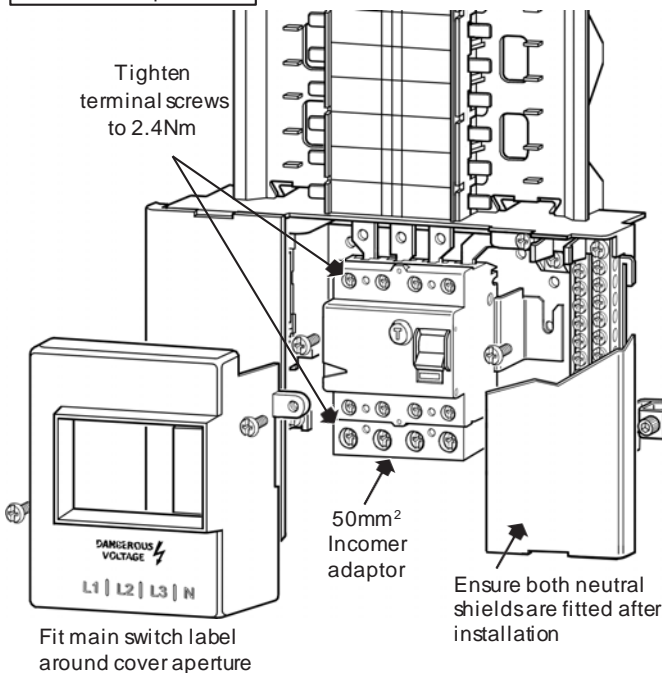
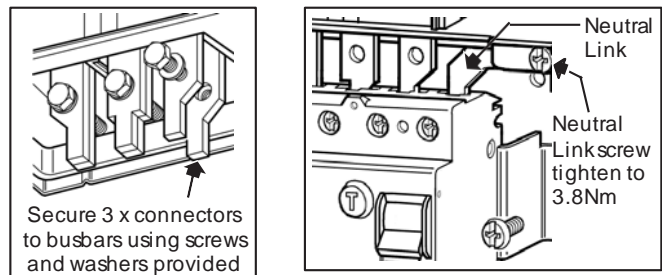
125A SPSN Switch Disconnecter Kit



FITTING FBMR30, 100, 300, 300T

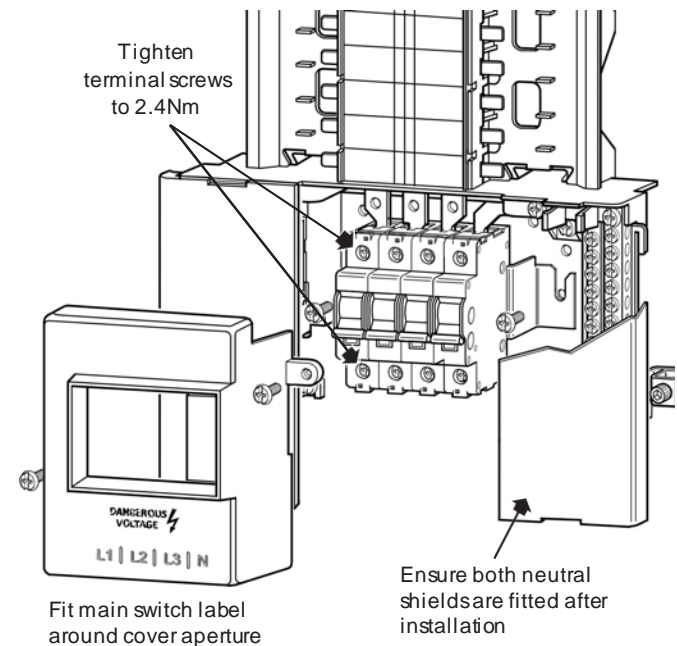
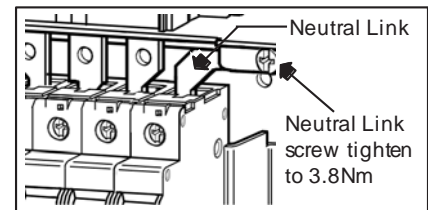
FBMRIK100 (RCCB not supplied)

100A 4 Pole RCCB Kits



FITTING EBMS1253N

125A 4 pole Switch Disconnecter Kit

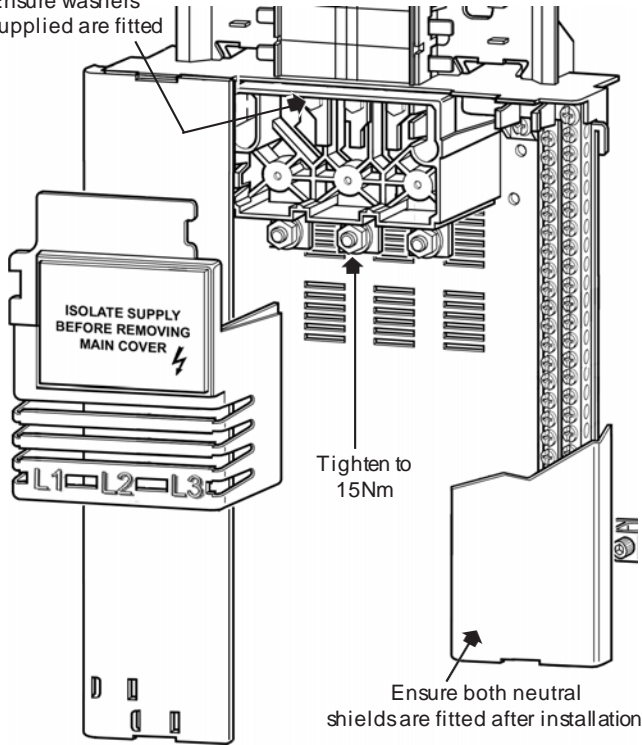


FITTING EBMBT2503

250A Direct Cable Kit

Tighten 3 off terminal screws to 8Nm
Ensure washers supplied are fitted

Note: Direct Cable Kit will fit both 125A and 250A board
IMPORTANT:
Do not exceed busbar rating



FITTING EBMS25

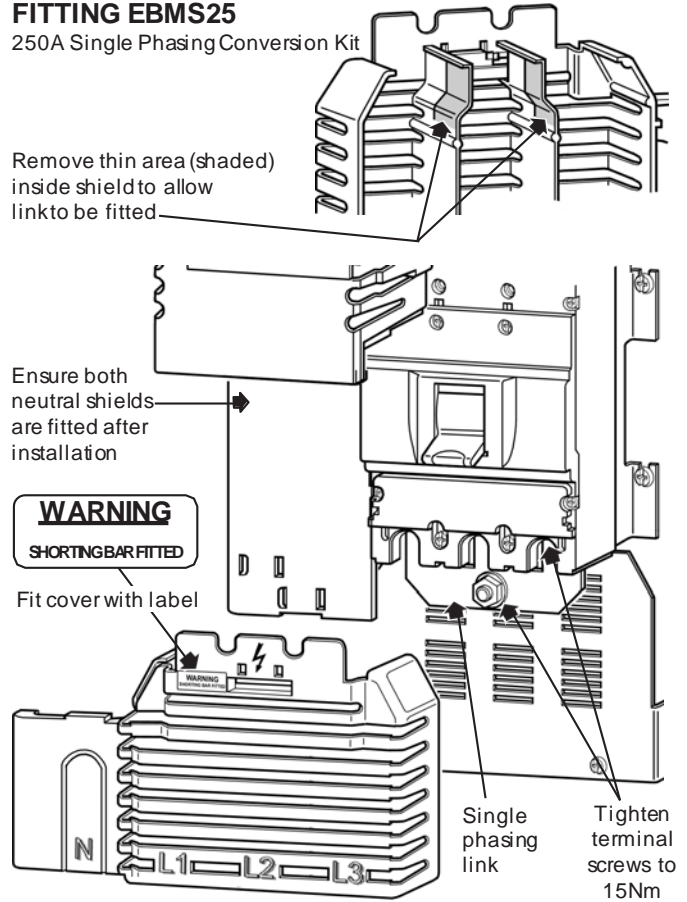
250A Single Phasing Conversion Kit

Remove thin area (shaded) inside shield to allow link to be fitted

Ensure both neutral shields are fitted after installation

WARNING
SHORTING BAR FITTED

Fit cover with label



FITTING EBMS2503, EBMMB160, 200, 250

250A Switch Disconnector/160-250A MCCB Kits

Important:

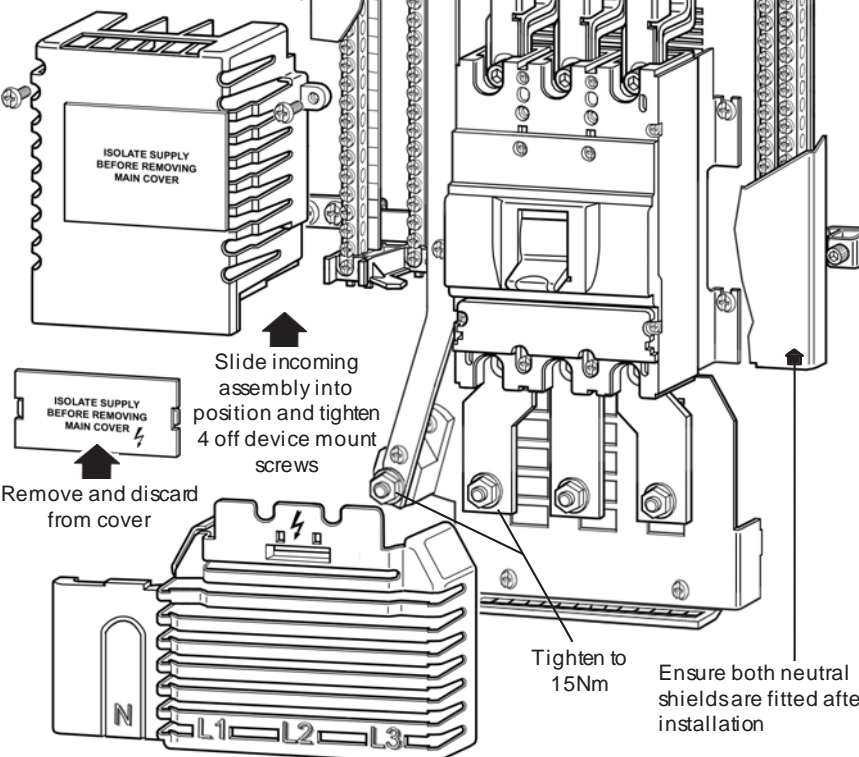
When fitting to EBM122/TP max rating 225A.

NOTE: Illustration shows 250A

Tighten 3 off M5 terminal screws to 8Nm
Ensure washers supplied are fitted

M8 Neutral Terminal Bolt
Tighten to 15Nm

Neutral Shield

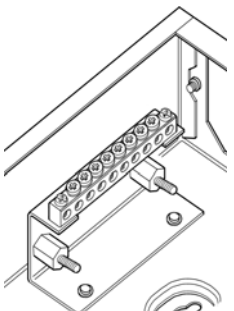


Fit main switch label beneath cover aperture

IMPORTANT: Operation of the incoming mccb device should only be carried out by an instructed or skilled person.

FITTING FBMNE8

Additional earth, fix from rear with x2 earth nib screws provided



Convert to clean earth

M6 Earth terminal screws Tighten to 2.5Nm

FITTING FBMXPC1/2

Remove end plate and fix extension box in place with x6 existing end plate screws

