



Edge™

RANGE INTRODUCTION

Edge™ is a range of wiring devices that combine function and style. The design is smooth, clean and the products are very slim – in fact just 1.5mm. Edge™ is the choice in modern, contemporary or traditional interiors where style and detail are the desired effect.

With Edge™ comes unrivalled safety. Utilising MK's 3-pin operated safety shutter, that prevents misuse and unsafe access to live circuitry, Edge™ offers the user the peace of mind and comfort that they have the safest range of wiring devices available installed in their surroundings.

HOW TO SPECIFY

A metal flatplate flush mounting range of wiring accessories, to be made in the UK. Frontplate to have a maximum 1.5mm profile and subtle 5mm radius rounded corners. Fixing screws to be flathead design, flush fitting & coloured to match the frontplate. Cable connections must be upward facing with easy to identify white markings on a dark background, grouped in a straight line with captive terminal screws for ease of installation. All sockets to have a 3 pin operated shutter safety mechanism and double pole switching, with the contacts designed such that the neutral makes before and breaks after the live pole for improved safety. Switches to be large and concave with a minimum 3mm contact gap with a positive 'click' to denote successful operation.

FEATURES & BENEFITS

SLIM PROFILE FRONTPLATES OF ONLY 1.5MM WITH MATCHING FLAT HEAD SCREWS THROUGHOUT

A clean and practical range of products that complement the finest interiors.

TOTAL SAFETY

3-pin operated "child resistant shutter system", which is designed to inhibit access to the electricity supply, unless all 3 pins of a standard British 13A plug are in position.

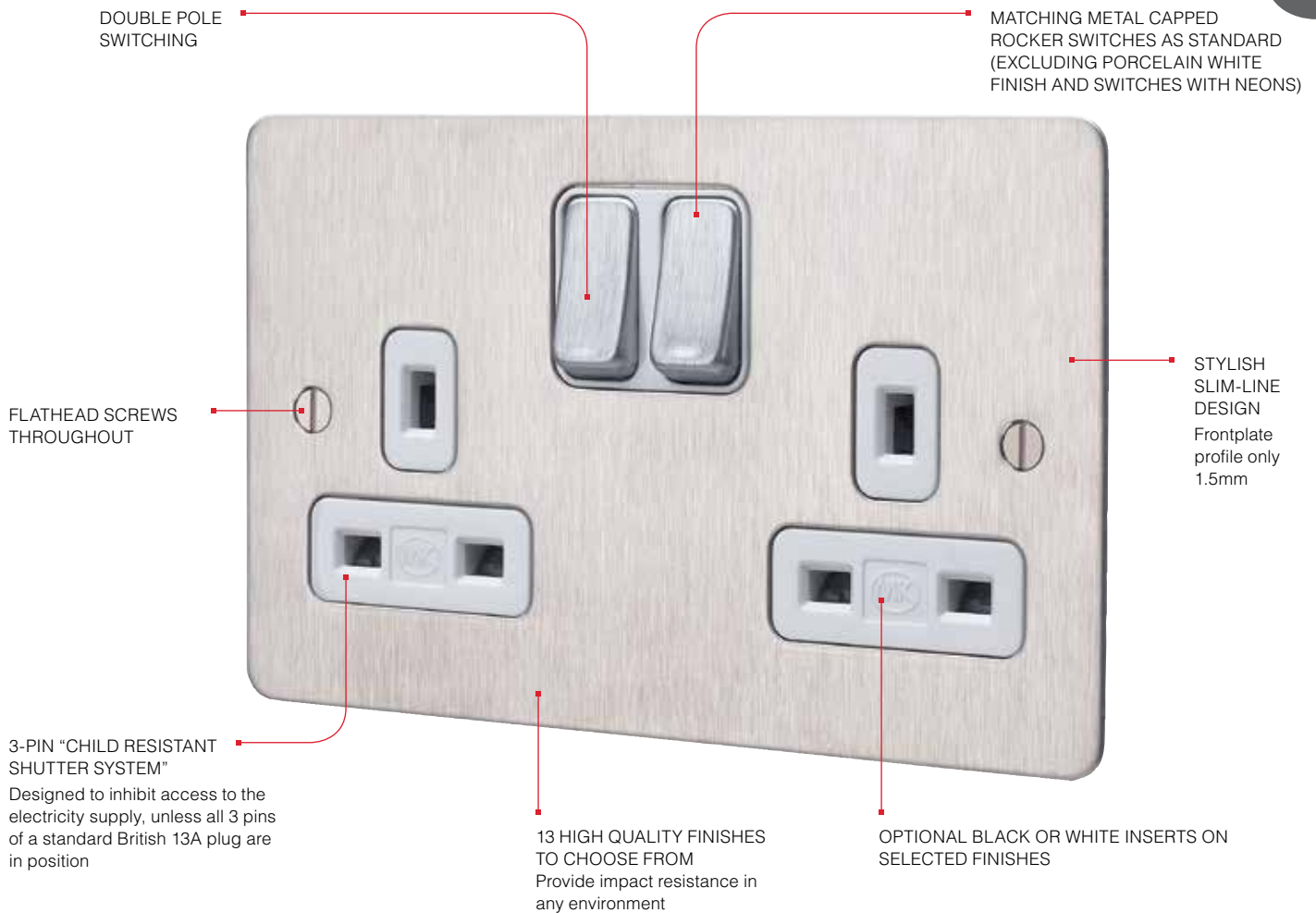
COMPREHENSIVE RANGE OF SOCKETS, SWITCHES AND MODULAR ANCILLARY PRODUCTS

Mean that whatever the application, the Edge™ range has a wiring device to suit.

13 STANDARD HIGH QUALITY FINISHES WITH A MADE-TO-ORDER SERVICE

Allows designers the flexibility to provide the finish of their choice.

In addition to the wide choice of standard finishes, a made-to-order service gives designers the ability to match almost any RAL colour required.



Terminal screws are backed out and captive. Terminals are upwards facing to make installation easier.

Funnel entrance to terminals.

Clear terminal markings for easy identification.

The built-in lock in the Edge™ 13A Key Operated Socket ensures that power cannot be turned on or off without the removeable key, making it ideal for communal areas such as hotel lobbies.

Combination plates provide a neat solution to all power, data, TV and satellite outlet requirements.





Technical Hotline
+44 (0)1268 563720

Edge™

WIRING DEVICES
DECORATIVE

Multimedia Plates

2 GANG DP DUAL EARTH SWITCHSOCKET, EURO 2 MODULE 50 X 50MM (RIGHT SIDE) **13 AMP**

2 GANG DP DUAL EARTH SWITCHSOCKET, EURO 2 MODULE 50 X 50MM (LEFT SIDE) **13 AMP**

2 GANG DP DUAL EARTH SWITCHSOCKET, EURO 4 MODULE 50 X 50MM (X2) **13 AMP**

EURO 8 MODULE 100 X 50MM (X2)

EURO 12 MODULE 150 X 50MM (X2)



K14216BSS*	1	K14217BSS*	1	K14208BSS*	1	K14209BSS*	1	K14210BSS*	1
K14216LBS*	1	K14217LBS*	1	K14208LBS*	1	K14209LBS*	1	K14210LBS*	1
K14216BRC*	1	K14217BRC*	1	K14208BRC*	1	K14209BRC*	1	K14210BRC*	1
K14216POC*	1	K14217POC*	1	K14208POC*	1	K14209POC*	1	K14210POC*	1
K14216SAG*	1	K14217SAG*	1	K14208SAG*	1	K14209SAG*	1	K14210SAG*	1
K14216WHIW	1	K14217WHIW	1	K14208WHIW	1	K14209WHIW	1	K14210WHIW	1
K14216LIVW	1	K14217LIVW	1	K14208LIVW	1	K14209LIVW	1	K14210LIVW	1
K14216LBKB	1	K14217LBKB	1	K14208LBKB	1	K14209LBKB	1	K14210LBKB	1
K14216PBR*	1	K14217PBR*	1	K14208PBR*	1	K14209PBR*	1	K14210PBR*	1
K14216TIRB	1	K14217TIRB	1	K14208TIRB	1	K14209TIRB	1	K14210TIRB	1
K14216DBZB	1	K14217DBZB	1	K14208DBZB	1	K14209DBZB	1	K14210DBZB	1
K14216ABSB	1	K14217ABSB	1	K14208ABSB	1	K14209ABSB	1	K14210ABSB	1
K14216TCOB	1	K14217TCOB	1	K14208TCOB	1	K14209TCOB	1	K14210TCOB	1

* Available with the option of either White or Black inserts. Add Suffix 'W' or 'B' to part number when ordering, E.g. KxxxxBSSW. Where there is no asterisk, the final suffix W = White Insert, B = Black Insert, E.g. KxxxxWHIW = Porcelain White finish with White inserts

MOUNTING BOXES
867ZIC
DIMENSIONS
233.3 x 86mm
BS 1363-2:1995

MOUNTING BOXES
867ZIC
DIMENSIONS
233.3 x 86mm
BS 1363-2:1995

MOUNTING BOXES
868ZIC
DIMENSIONS
320.6 x 86mm
BS 1363-2:1995

MOUNTING BOXES
858ZIC
DIMENSIONS
146.4 x 173.3mm
BS 5733:2010

MOUNTING BOXES
869ZIC
DIMENSIONS
206.3 x 173.3mm
BS 5733:2010

Dual Earth: Fitted with two earth terminals to provide a double earth facility for use when installations require a high integrity protective connection as specified within BS 7671:2008.

Mains operated products and extra low voltage modules must not be installed within the same frontplate aperture. Refer to BS 7671:2008 for details.

13A Socket Outlets

Installation

1 gang switchsocket – view from rear

Top-facing, angled, backed-out terminals make wiring easier and quicker.



FEATURES

- Moulded 'on' indicator flash on plastic switches will not rub off – totally safe
- Matching Metal rocker Switches (Edge™ and Aspect only)
- Optional neon indicators in the switch rockers with 175° visibility in the horizontal and vertical planes
- 3 pin operated safety shutter
- Printed terminal markings on grey rear mouldings for clearer identification
- Top access, angled terminals make wiring easier and quicker
- 3mm minimum switch contact gap
- Double pole switching
- Choice of inboard or outboard positioned rockers
- Additional electrical safety from DP Switch, neutral 'make first', 'break last' feature
- Switch contacts with silver contacts on both surfaces for good continuity
- Only one size of screwdriver required for installation
- Selection of products incorporating dual earth terminals for high integrity earthing
- Backed out and captive terminal screws
- 'Clean earth' sockets available
- Non-standard 'clean earth' sockets available

Wiring Devices Technical

– Logic Plus™

2 Gang Switchsocket Outlet with Integrated Dual USB Charging Capability

Standards and approvals

Logic Plus™ 13A socket outlets and 2A USB charging outlets comply with BS 5733 and IEC 61558-2-16.

EMC Compatibility:

IEC 61000-6-1

IEC 61000-6-3

Products are CE marked and meet the requirements of the Low Voltage, EMC, RoHS and WEEE directives.



TECHNICAL SPECIFICATION

13A SOCKET OUTLETS

ELECTRICAL

VOLTAGE RATING

220-240V

CURRENT RATING

13A

Combined total 2A drawn from USB outlets

STANDBY POWER

150mW

TERMINAL CAPACITY

Live, neutral & earth

3 x 2.5mm²

3 x 4mm²

2 x 6mm² (stranded)

PHYSICAL

AMBIENT OPERATING TEMPERATURE

-5°C to +40°C

IP RATING

IP2XD

MAX. INSTALLATION ALTITUDE

2000 metres

Description

A range of socket outlets designed for ease of installation and having all the advantageous design features of the Logic Plus™ range. Dual USB charging outlets offer end users easy access to power for charging a variety of devices such as smart phones, tablets and cameras.

FEATURES

- Moulded 'on' indicator flash on switches will not rub off – totally safe
- 3 pin operated safety shutter on 13A socket outlets
- USB 2.0 and 3.0 compatible
- Can charge a device at up to a full 2A
- If only one device is connected to a USB outlet the total output current of 2A is available from either outlet
- If two devices are connected to USB outlets the the total rated current of 2A is divided between the two outlets
- Differing manufacturers devices can be charged simultaneously via the two USB outlets
- If the total charging current exceeds the rated level of 2A then the device will enter a current limiting safety mode
- Electronically protected against an overload or short circuit on either USB outlet
- USB outlets are designed to provide optimum charging compatibility across a wide range of devices
- Printed terminal markings on grey rear mouldings for clearer identification
- Top access, angled terminals make wiring easier and quicker
- 3mm minimum switch contact gap
- Double pole switching
- Additional electrical safety from neutral 'make first', 'break last' feature
- Switch contacts with silver contacts on both surfaces for good continuity
- Backed out and captive terminal screws
- Dual earthed

Installation

Logic Plus™ socket outlets can be wall or bench mounted.

Do not mount or use as a trailing socket or where they may be subject to excessive moisture or damp.

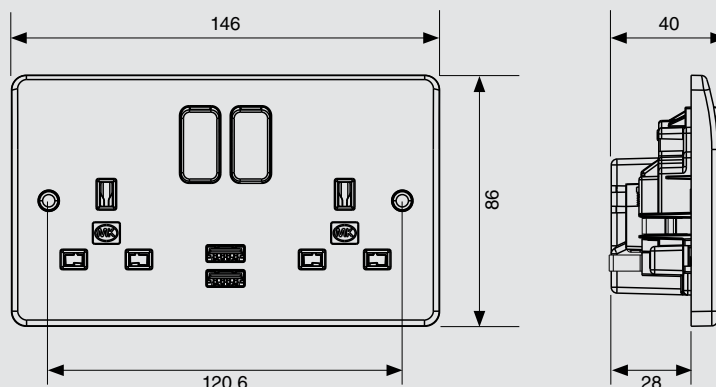
Cable management

Logic Plus™ socket outlets can be mounted in a variety of MK trunking systems.

BOX TYPES WITHOUT PATRESS

GANG	FLUSH	SURFACE INSULATED	SURFACE METAL
2 GANG	DEPTH 35MM	DEPTH 40MM	DEPTH 41MM
	886 ZIC	K2172 WHI	K2212 ALM K2214 ALM

Dimensions (mm)



Wiring Devices Technical

– Aspect

2 Gang Switchsocket Outlet with Integrated Dual USB Charging Capability

Standards and approvals

Aspect 13A socket outlets and 2A USB charging outlets comply with BS 5733 and IEC 61558-2-16.

EMC Compatibility:

IEC 61000-6-1

IEC 61000-6-3

Products are CE marked and meet the requirements of the Low Voltage, EMC, RoHS and WEEE directives.



TECHNICAL SPECIFICATION

13A SOCKET OUTLETS

ELECTRICAL

VOLTAGE RATING

220-240V

CURRENT RATING

13A

Combined total 2A drawn from USB outlets

STANDBY POWER

150mW

TERMINAL CAPACITY

Live, neutral & earth

3 x 2.5mm²

3 x 4mm²

2 x 6mm² (stranded)

PHYSICAL

AMBIENT OPERATING TEMPERATURE

-5°C to +40°C

IP RATING

IP2XD

MAX. INSTALLATION ALTITUDE

2000 metres

Description

A range of socket outlets designed for ease of installation and having all the advantageous design features of the Aspect range. Dual USB charging outlets offer end users easy access to power for charging a variety of devices such as smart phones, tablets and cameras.

FEATURES

- Slim screwless frontplate design
- Matching metal rocker switches
- 3 pin operated safety shutter on 13A socket outlets
- USB 2.0 and 3.0 compatible
- Can charge a device at up to a full 2A
- If only one device is connected to a USB outlet the total output current of 2A is available from either outlet
- If two devices are connected to USB outlets the total rated current of 2A is divided between the two outlets
- Differing manufacturers devices can be charged simultaneously via the two USB outlets
- If the total charging current exceeds the rated level of 2A then the device will enter a current limiting safety mode
- Electronically protected against an overload or short circuit on either USB outlet
- USB outlets are designed to provide optimum charging compatibility across a wide range of devices
- Printed terminal markings on grey rear mouldings for clearer identification
- Top access, angled terminals make wiring easier and quicker
- 3mm minimum switch contact gap
- Double pole switching
- Additional electrical safety from neutral 'make first', 'break last' feature
- Switch contacts with silver contacts on both surfaces for good continuity
- Backed out and captive terminal safety screws
- Dual earthed

Installation

Aspect socket outlets can be wall or bench mounted.

Do not mount or use as a trailing socket or where they may be subject to excessive moisture or damp.

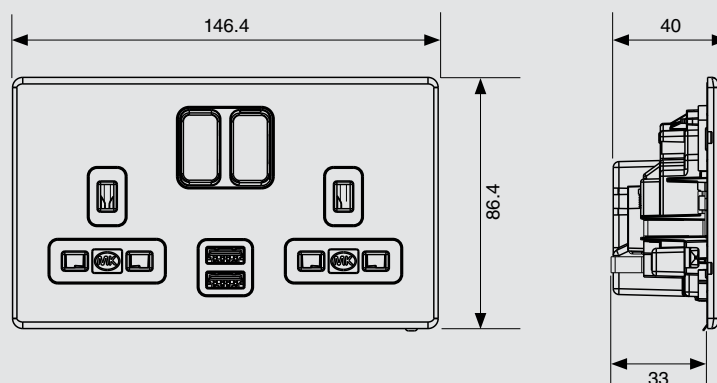
Cable management

Aspect socket outlets can be mounted in a variety of MK trunking systems.

BOX TYPES WITHOUT PATRESS

GANG	FLUSH
2 GANG	DEPTH 47MM
	878 ZIC

Dimensions (mm)





Technical Hotline
+44 (0)1268 563720

Wiring Devices Technical

– Edge™

2 Gang Switchsocket Outlet with Integrated Dual USB Charging Capability

Standards and approvals

Edge™ 13A socket outlets and 2A USB charging outlets comply with BS 5733 and IEC 61558-2-16.

EMC Compatibility:

IEC 61000-6-1

IEC 61000-6-3

Products are CE marked and meet the requirements of the Low Voltage, EMC, RoHS and WEEE directives.



TECHNICAL SPECIFICATION

13A SOCKET OUTLETS

ELECTRICAL

VOLTAGE RATING

220-240V

CURRENT RATING

13A

Combined total 2A drawn from USB outlets

STANDBY POWER

150mW

TERMINAL CAPACITY

Live, neutral & earth

3 x 2.5mm²

3 x 4mm²

2 x 6mm² (stranded)

PHYSICAL

AMBIENT OPERATING TEMPERATURE

-5°C to +40°C

IP RATING

IP2XD

MAX. INSTALLATION ALTITUDE

2000 metres

Description

A range of socket outlets designed for ease of installation and having all the advantageous design features of the Edge™ range. Dual USB charging outlets offer end users easy access to power for charging a variety of devices such as smart phones, tablets and cameras.

FEATURES

- Matching metal rocker switches
- 3 pin operated safety shutter on 13A socket outlets
- USB 2.0 and 3.0 compatible
- Can charge a device at up to a full 2A
- If only one device is connected to a USB outlet the total output current of 2A is available from either outlet
- If two devices are connected to USB outlets the the total rated current of 2A is divided between the two outlets
- Differing manufacturers devices can be charged simultaneously via the two USB outlets
- If the total charging current exceeds the rated level of 2A then the device will enter a current limiting safety mode
- Electronically protected against an overload or short circuit on either USB outlet
- USB Outlets are designed to provide optimum charging compatibility across a wide range of devices
- Printed terminal markings on grey rear mouldings for clearer identification
- Top access, angled terminals make wiring easier and quicker
- 3mm minimum switch contact gap
- Double pole switching
- Additional electrical safety from neutral 'make first', 'break last' feature
- Switch contacts with silver contacts on both surfaces for good continuity
- Backed out and captive terminal screws
- Dual earthed

Installation

Edge™ socket outlets can be wall or bench mounted.

Do not mount or use as a trailing socket or where they may be subject to excessive moisture or damp.

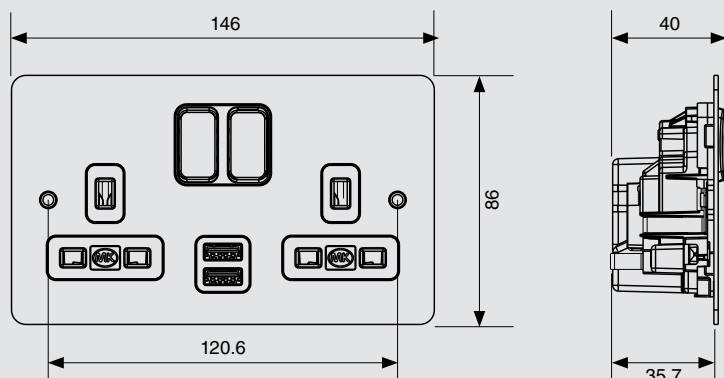
Cable management

Edge™ socket outlets can be mounted in a variety of MK trunking systems.

BOX TYPES WITHOUT PATRESS

GANG	FLUSH
2 GANG	DEPTH 47MM
	878 ZIC

Dimensions (mm)



Wiring Devices Technical

– Albany Plus™

mkelectric.co.uk



2 Gang Switchsocket Outlet with Integrated Dual USB Charging Capability

Standards and approvals

Albany Plus™ 13A socket outlets and 2A USB charging outlets comply with BS 5733 and IEC 61558-2-16.

EMC Compatibility:

IEC 61000-6-1

IEC 61000-6-3

Products are CE marked and meet the requirements of the Low Voltage, EMC, RoHS and WEEE directives.



TECHNICAL SPECIFICATION

13A SOCKET OUTLETS

ELECTRICAL

VOLTAGE RATING

220-240V

CURRENT RATING

13A

Combined total 2A drawn from USB outlets

STANDBY POWER

150mW

TERMINAL CAPACITY

Live, neutral & earth

3 x 2.5mm²

3 x 4mm²

2 x 6mm² (stranded)

PHYSICAL

AMBIENT OPERATING TEMPERATURE

-5°C to +40°C

IP RATING

IP2XD

MAX. INSTALLATION ALTITUDE

2000 metres

Description

A range of socket outlets designed for ease of installation and having all the advantageous design features of the Albany Plus™ range. Dual USB charging outlets offer end users easy access to power for charging a variety of devices such as smart phones, tablets and cameras.

FEATURES

- Moulded 'on' indicator flash on switches will not rub off – totally safe
- 3 pin operated safety shutter on 13A socket outlets
- USB 2.0 and 3.0 compatible
- Can charge a device at up to a full 2A
- If only one device is connected to a USB outlet the total output current of 2A is available from either outlet
- If two devices are connected to USB outlets the the total rated current of 2A is divided between the two outlets
- Differing manufacturers devices can be charged simultaneously via the two USB outlets
- If the total charging current exceeds the rated level of 2A then the device will enter a current limiting safety mode
- Electronically protected against an overload or short circuit on either USB outlet
- USB outlets are designed to provide optimum charging compatibility across a wide range of devices
- Printed terminal markings on grey rear mouldings for clearer identification
- Top access, angled terminals make wiring easier and quicker
- 3mm minimum switch contact gap
- Double pole switching
- Additional electrical safety from neutral 'make first', 'break last' feature
- Switch contacts with silver contacts on both surfaces for good continuity
- Backed out and captive terminal screws
- Dual earthed

Installation

Albany Plus™ socket outlets can be wall or bench mounted.

Do not mount or use as a trailing socket or where they may be subject to excessive moisture or damp.

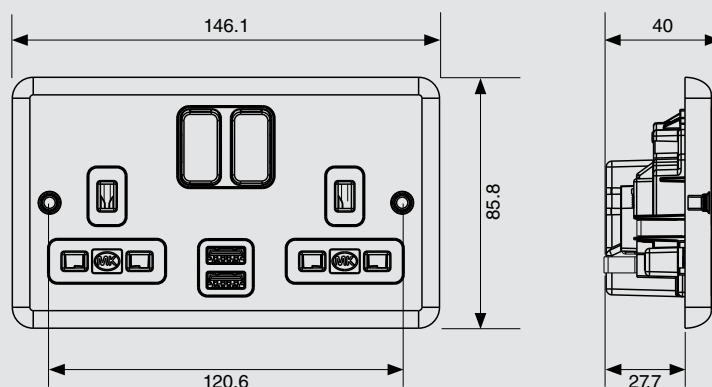
Cable management

Albany Plus™ socket outlets can be mounted in a variety of MK trunking systems.

BOX TYPES WITHOUT PATRESS

GANG	FLUSH	SURFACE INSULATED	SURFACE METAL
2 GANG	DEPTH 35MM	DEPTH 40MM	DEPTH 41MM
	886 ZIC	K2172 WHI	K2212ALM / K2214ALM

Dimensions (mm)





Technical Hotline
+44 (0)1268 563720

Wiring Devices Technical – Metalclad Plus™

2 Gang Switchsocket Outlet with Integrated Dual USB Charging Capability

Standards and approvals

Metalclad Plus™ 13A socket outlets and 2A USB charging outlets comply with BS 5733 and IEC 61558-2-16.

EMC Compatibility:

IEC 61000-6-1

IEC 61000-6-3

Products are CE marked and meet the requirements of the Low Voltage, EMC, RoHS and WEEE directives.



TECHNICAL SPECIFICATION

13A SOCKET OUTLETS

ELECTRICAL

VOLTAGE RATING

220-240V

CURRENT RATING

13A

Combined total 2A drawn from USB outlets

STANDBY POWER

150mW

TERMINAL CAPACITY

Live, neutral & earth

3 x 2.5mm²

3 x 4mm²

2 x 6mm² (stranded)

PHYSICAL

AMBIENT OPERATING TEMPERATURE

-5°C to +40°C

IP RATING

IP2XD

MAX. INSTALLATION ALTITUDE

2000 metres

Description

A range of socket outlets designed for ease of installation and having all the advantageous design features of the Metalclad Plus™ range. Dual USB charging outlets offer end users easy access to power for charging a variety of devices such as smart phones, tablets and cameras.

FEATURES

- Moulded 'on' indicator flash on switches will not rub off – totally safe
- 3 pin operated safety shutter on 13A socket outlets
- USB 2.0 and 3.0 compatible
- Can charge a device at up to a full 2A
- If only one device is connected to a USB outlet the total output current of 2A is available from either outlet
- If two devices are connected to USB outlets the the total rated current of 2A is divided between the two outlets
- Differing manufacturers devices can be charged simultaneously via the two USB outlets
- If the total charging current exceeds the rated level of 2A then the device will enter a current limiting safety mode
- Electronically protected against an overload or short circuit on either USB outlet
- USB outlets are designed to provide optimum charging compatibility across a wide range of devices
- Printed terminal markings on grey rear mouldings for clearer identification
- Top access, angled terminals make wiring easier and quicker
- 3mm minimum switch contact gap
- Double pole switching
- Additional electrical safety from neutral 'make first', 'break last' feature
- Switch contacts with silver contacts on both surfaces for good continuity
- Backed out and captive terminal screws
- Metallic powder paint finish is corrosion and scratch resistant
- Dual earthed
- High impact resistance

Installation

Metalclad Plus™ socket outlets can be wall or bench mounted.

Do not mount or use as a trailing socket or where they may be subject to excessive moisture or damp.

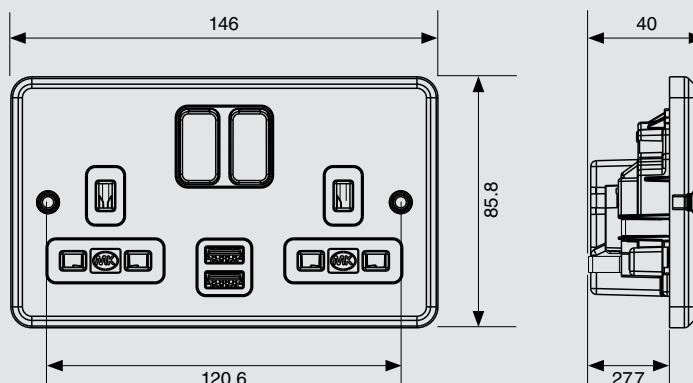
Cable management

Metalclad Plus™ socket outlets can be mounted in a variety of MK trunking systems.

BOX TYPES WITHOUT PATRESS

GANG	FLUSH	SURFACE
2 GANG	DEPTH 35MM	DEPTH 38MM
	886 ZIC	K830 ALM (without knockouts) K897 ALM and K897 WHI (with 8 x 20mm knockouts)

Dimensions (mm)



Sentrysocket

Compliance with EC Directives, Standards and approvals

All Sentrysockets comply with the following EC Directives and are CE marked:

Low Voltage Directive
Electromagnetic Compatibility Directive (89/336/EEC)

Sentrysocket RCD DP Single Sockets comply with the requirements of the following standards:

BS 7288:1990
BS EN 50082-1:1998

Sentrysocket RCD SP Double Sockets also comply with the requirements of BS EN 61543:1996.

TECHNICAL SPECIFICATION

ELECTRICAL

RATED VOLTAGE
240V a.c.

CURRENT RATING
13A resistive
Rated tripping current 10mA/30mA

TERMINAL CAPACITY
3 x 4mm² for 1 gang
2 x 4mm² for 2 gang

PHYSICAL

AMBIENT OPERATING TEMPERATURE
-5°C to +40°C

IP RATING
IP2XD
IP66 (K56301/K56231/K56233)

MAX. INSTALLATION ALTITUDE
2000 metres

Sentrysockets are not suitable for connection across two lines of a 127V line to Neutral Voltage System

Cable management

Logic Plus™, Albany Plus™ and Metalclad Plus™ Sentrysockets can be mounted in a variety of MK trunking systems.

Installation

Flush mounting steel wall box

It should be noted that some of the conduit entries may be restricted, depending upon their positions and the depth of box used.



Description

Sentrysocket provides a high level of protection against electrocution and gives further protection when used with appliances vulnerable to insulation damage, particularly when they are in damp environments or outdoors. The Sentrysocket units are not suitable for mounting in damp environments or outdoors.

Sentrysocket, incorporating an RCD, is part of a complete range of fixed and portable wiring devices and circuit protection devices suitable for use in domestic, commercial and light industrial applications.

Active control circuits

Incorporate a 'Re-set' mechanism and are mains failure sensitive, i.e. they will function under all the normal conditions expected of an RCD, but will also trip in the event of a power cut or a sudden, dramatic reduction in mains voltage. This makes them ideal for use where it would be hazardous for equipment to suddenly energise after return of mains power, such as use with rotating machinery and heat developing apparatus.

Passive control circuits

Incorporate a 'Stay-set' mechanism and is mains failure proof, i.e. it will function under all the normal conditions expected of an RCD and will not trip in the event of a power cut. This makes it suitable for use with freezers or in inaccessible or unmanned locations.

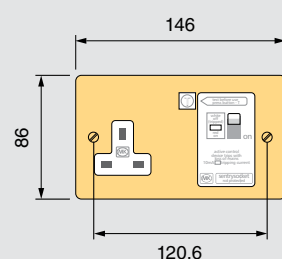
FEATURES

- Suitable for most residential, commercial and light industrial applications
- Active and passive control circuit applications
- Flexible and versatile in use
- Single Sockets have double pole switching, double sockets are single pole switching
- Masterseal Plus products are ideal for use with equipment subject to wet weather or high humidity
- Part of a complete range of MK circuit protection devices
- They are a.c. and pulsating d.c. sensitive for residual current
- Double Socket products have an enhanced RF Immunity performance

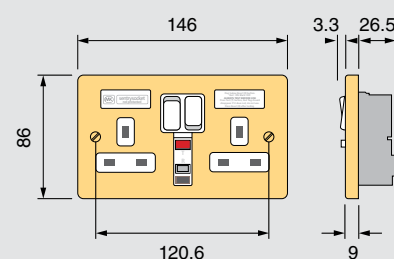
Sentrysockets products can be wall or bench mounted. Do not mount or use as a trailing socket or where they may be subject to excessive moisture or dampness.

Dimensions (mm)

Single socket



Double socket



Sentrysocket

Installation

Flush mounting steel wall box

It should be noted that some of the conduit entries may be restricted, depending upon their positions and the depth of box used.

Socket Testing

Single Socket Testing

After installation, turn the mains electricity supply on.

To test that the Sentrysocket is functioning correctly:

1. Ensure that no appliance is connected to the Sentrysocket.
Switch Sentrysocket on: The switch should remain closed and the red flag will appear in the window. If the switch fails to remain closed, check that the Supply L and N connections are not reversed or the Supply N connection is not open circuit. If the Sentrysocket is correctly connected and still trips after being switched on, the Sentrysocket is faulty and should not be used.
2. If the Sentrysocket stays on, **press the test button:** The switch will open and the white flag will appear in the window. If the Sentrysocket does not trip and there is mains voltage present at the socket outlet, Sentrysocket is faulty and should not be used.
3. **Switch Sentrysocket on:** Connect an RCD tester and ensure that the Sentrysocket trips within the specified time:
≤ 200 ms AT RATED TRIP CURRENT
≤ 40 ms AT 5 x RATED TRIP CURRENT

If the Sentrysocket does not trip within the specified times then the product is faulty and should not be used (If more than one RCD is in series then there is no guarantee as to which device will trip first).
4. **Reset all tripped RCD's including the Sentrysocket.**
5. **Switch off the mains supply switch disconnecter.** On mains failure, a Sentrysocket with Active Control Circuit will trip, whilst a Sentrysocket with Passive Control Circuit will not trip. If the Active Control device does not trip, it is faulty and should not be used – see note below. If no faults have been found then installation testing has been completed successfully.

Note: If a fault is identified at any stage of installation testing procedure do not use Sentrysocket, and contact your local electrician, or your local MK stockist.

Double Socket Testing

After installation, turn the mains electricity supply on.

To test that the Sentrysocket is functioning correctly follow the steps 1 to 4 below:

1. Ensure that no appliance is connected to the Sentrysocket.
2. **Reset** – Press the button marked R (for Reset) – the contact status indicator should show red, indicating that the socket outlets are now live (if the switches are in the ON positions).
3. **Test** – Press the TEST button marked T (for Test), the product should trip with the contact status indicator showing black. In this state the socket outlets are disconnected from the supply.
4. **Reset** – Press the button marked R again, the contact status indicator should show red.
5. Connect an RCD Tester to either socket outlet and ensure that the Sentrysocket trips with the specified times below:
≤ 200 ms AT RATED TRIP CURRENT
≤ 40 ms AT 5 x RATED TRIP CURRENT
6. Reset the Sentrysocket as in step 2 above.
7. Switch off the Mains Supply Switch Disconnecter.
8. A Sentrysocket with Active Control Circuit should trip while a Sentrysocket with Passive Control Circuit should not trip.

If all the operations in steps 2 to 8 above give correct results, the Sentrysocket RCD socket outlet is safe to use.

If the procedures in steps 2 to 8 above are not completed correctly, do not use the Sentrysocket product and seek professional advice or contact the MK Technical Sales and Service department on +44 (0)1268 563720.

Filtered Switchsocket Outlets (Logic Plus and Albany Plus)

Standards and approvals

Filtered socket outlets comply with BS 5733:2010.

TECHNICAL SPECIFICATION

ELECTRICAL

CURRENT RATING

13A maximum total for 2 sockets

VOLTAGE RATING

250V a.c.

EARTH LEAKAGE

0.5 mA

SUPPRESSION

150 kHz – 30 MHz (transients)

MAXIMUM ENERGY ABSORPTION

140 Joules L – N

140 Joules L – E

TERMINAL CAPACITY

2 x 6mm²

3 x 4mm²

3 x 2.5mm²

3 x 1.5mm²

PHYSICAL

AMBIENT OPERATING TEMPERATURE

-5°C to +40°C

THERMAL OVERLOAD

The K1826 and K2826 filter socket incorporates a thermal overload device in the RFI filter section.

Overload current causes temperature rise, resulting in automatic 'trip out'. The overload device will re-set as the temperature falls.

IP RATING

IP2XD

MAX. INSTALLATION ALTITUDE

2000 metres



Description

A range of sockets in the Logic Plus and Albany Plus styles, designed to combat interference to or data losses on sensitive electrical products and systems due to mains borne voltage spikes and RFI.

Such systems include:

- Computer or microprocessor based equipment
- Telecommunications systems
- Electronic measurement equipment
- Cash registers
- Audio visual and hi-fi equipment

These products can be quickly installed as replacements for existing twin 13A sockets or in a new installation.

Fitted with two earth terminals to provide a double earth facility for use when installations require a high integrity protective connection as specified within the latest edition of BS 7671.

Filter cassettes

Filter cassettes are supplied with sockets and have an LED which shows green under normal conditions but will turn red or extinguish when a replacement cassette (K1800WHI) is required. An alarm will also beep at 5 second intervals to indicate replacement necessity. It can be de-activated if required.

FEATURES

- Moulded 'on' indicator flash on switches will not rub off – totally safe
- 3 pin operated safety shutter
- Printed terminal markings on grey rear mouldings for clearer identification
- Reduces risk of damage to equipment and down time
- Reduces risk of data loss
- 2 way filtering – into appliance and back into mains supply
- Additional electrical safety from DP Switch, neutral 'make first', 'break last' feature
- Double pole switches
- Dual earth terminals for high integrity earthing
- Clearly visible LED on filter cassette, changes from green to red when replacement required
- Simple replacement of cassettes
- 10 year guarantee (except filter cassette)
- 3mm minimum switch contact gap
- Backed out and captive terminal screws

Filtered Switchsocket Outlets

Product features

Ensure that the connecting pins protruding from the bottom of the replacement Filter Cassette are not damaged or bent before installation. If in doubt, contact MK Technical Sales Service Department on +44 (0)1268 563720.

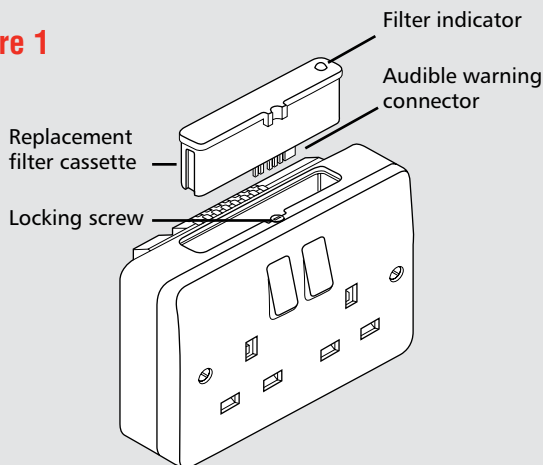
The MK Filtered Switchsocket, in common with many other filters uses Voltage Dependant Resistors for spike suppression purposes. The performance of these devices will eventually degrade with use to a level where they will no longer provide adequate protection.

When this occurs the spike filter performance of the MK Filtered Switchsocket outlet can be restored by replacing the filter cassette.

When the filter cassette needs replacing, the green indicator on the Replacement Filer Cassette will glow red or go out, an audible beep every five seconds may also be heard.

Note: As with all filters, these Filter Sockets will reduce the magnitude of RFI and spikes and consequently their ability to interfere with connected equipment. They will not completely remove the interference from the supply.

Figure 1



Installation

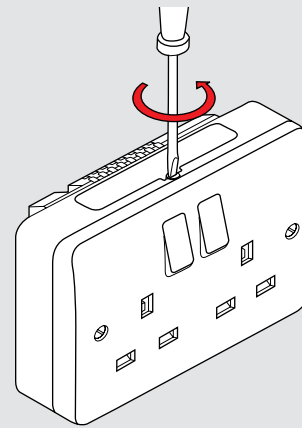
Replaceable Spike Filter Cassette

Note: To ensure a safe installation;

- this product should be installed by a competent person.
 - it is important that all connections are made as instructed.
1. The filter cassette can be removed and replaced without switching off the mains or removing any plugs from the filter socket.
 2. Remove the filter cassette by turning the jacking screw anti-clockwise to partially eject it (see Figure 2), and then gently pulling the cassette upwards, (see Figure 2a).
 3. **Only fit the MK Replacement Filter Cassette (K1800WHI).**

Unpack the new filter cassette and check that the pins along the bottom edge are not bent or broken. If these pins are damaged, do not fit the replacement cassette. The audible sound indicating that the filter cassette needs replacing, is optional. It may be prevented by removing the small connector on the two end pins, (see Figure 2b), before fitting it into the socket.

Figure 2



4. Fit the new filter cassette by carefully sliding it into the aperture and gently pushing it down while turning the screw clockwise until the filter cassette is flush with the surface. Do not turn the screw any further as this will cause distortion of the plastic mouldings.

Product and packaging can safely be disposed of via standard refuse facilities at the end of its useful life.

Figure 2a

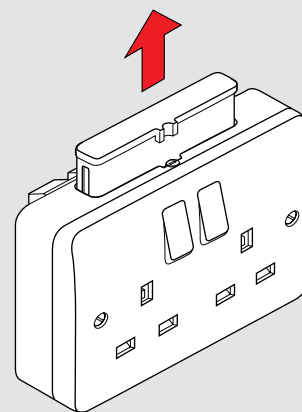
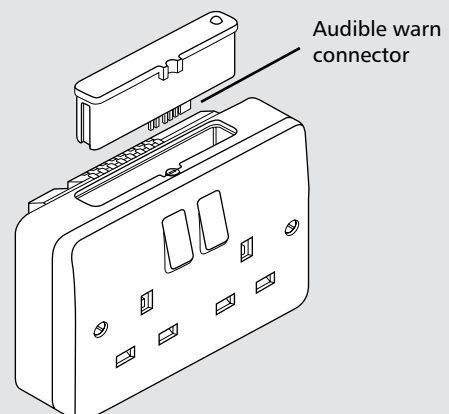


Figure 2b



Round Pin Socket Outlets

Standards and approvals

Round pin socket outlets comply with BS 546:1950.

TECHNICAL SPECIFICATION

ELECTRICAL

VOLTAGE RATING
250V a.c.

TERMINAL CAPACITIES

2A sockets:

7 x 1mm²
4 x 1.5mm²
2 x 2.5mm²
1 x 4mm²

5A sockets:

3 x 2.5mm²
2 x 4mm²
2 x 6mm² (stranded)

15A sockets:

3 x 2.5mm²
3 x 4mm²
2 x 6mm² (stranded)

PHYSICAL

AMBIENT OPERATING TEMPERATURE
-5°C to +40°C

IP RATING
IP2XD

MAX. INSTALLATION ALTITUDE
2000 metres



Description

A range of round pin socket outlets designed for ease of installation and having all the advantages and design features of the MK range of wiring devices.

These products can be quickly installed as replacements for existing socket outlets or in new installations.

FEATURES

- Top access terminals make wiring easier and quicker
- Integral ON indicator on plastic switches will not rub off – totally safe
- Switch contact gap, 3mm minimum
- Double pole switching
- Terminal screws backed out
- Additional electrical safety from neutral “make first”, “break last” feature on switched sockets
- Switch contacts with silver contact points on both surfaces for good continuity
- 5A and 15A sockets contain a 3 pin operated safety shutter.
- Printed terminal markings on grey rear mouldings for clearer identification

Non UK Socket Outlets

Standards and approvals

15A American sockets comply with SASO 2004:2003

16A 2P+E German sockets comply with IEC 60884-1:2006

TECHNICAL SPECIFICATION

ELECTRICAL

15A AMERICAN

VOLTAGE RATING
127V a.c.

CURRENT RATING
15A

TERMINAL CAPACITY
Live, neutral & earth
3 x 2.5mm²
2 x 4mm²
1 x 6mm² (stranded)

MAX. INSTALLATION ALTITUDE
2000 metres

16A 2P+E GERMAN SOCKET

VOLTAGE RATING
250V a.c.

CURRENT RATING
16A

TERMINAL CAPACITY
Live, neutral & earth
4 x 1.5mm²
2 x 2.5mm²
1 x 4mm²

PHYSICAL

AMBIENT OPERATING TEMPERATURE
-5°C to +40°C

IP RATING
IP2XD

MAX. INSTALLATION ALTITUDE
2000 metres

15A AMERICAN (Logic Plus*)



BOX TYPES

GANG	FLUSH	FLUSH (FOR EXTRA WIRING SPACE)	SURFACE
1 GANG	861ZIC	866ZIC	K2140WHI
2 GANG	862ZIC	886ZIC	K2142WHI

16A 2P+E GERMAN (Logic Plus*)



BOX TYPES

GANG	FLUSH	SURFACE
1 GANG	861ZIC	K2140WHI
2 GANG	862ZIC	K2142WHI

Note: 16A 2P+E German Outlet: These products are NOT suitable for 25mm deep boxes.

*15A American Sockets and 16A 2P+E German Sockets are also available in a modular format for MK decorative wiring device ranges.

Wiring Devices Technical – Logic Plus™

Shaver Socket Outlets

Standards and approvals

Shaver socket outlets comply with BS 4573:1970 and IEC 60884-1:2006.

Plug pin apertures, and engagement face dimensions comply with BS 4573:1970.



TECHNICAL SPECIFICATION

ELECTRICAL

VOLTAGE RATING

200-250V a.c. Input

MAXIMUM LOAD

200 mA (internal thermister trip current)

TERMINAL CAPACITIES

Each terminal will accommodate

1 x 4mm², or 2 x 2.5mm², 3 x 1.5 solid conductors

PHYSICAL

AMBIENT OPERATING TEMPERATURE

-5°C to +40°C

IP RATING

IP2XD

MAX. INSTALLATION ALTITUDE

2000 metres

Description

Designed for ease of installation and having many of the advantageous features of the Logic Plus™ range.

The shaver socket outlet accommodates the following plugs:

British 5mm dia pins on 16.6mm pitch (230V socket) to BS 4573:1970.

European 4mm dia pins on 17 to 19mm pitch (230V socket) to IEC 83:1975 Standard C5.

Australian 6.5 x 1.6 flat blades each set at 30° to the vertical on a nominal pitch of 13.7mm (230V socket).

AS C112:1964.

The fuse carrier is captive and opened by a fast acting, screwdriver operated worm drive screw for ease of replacement.

FEATURES

- Top access terminals make wiring quicker and easier
- Only one size of screwdriver required for installation
- Terminal screws supplied 'backed out' and held captive within the terminal moulding
- White printed terminal markings on grey rear mouldings for clearer identification
- Front plate fixing screws retained on rear case moulding

Installation

This shaver socket **must not** be used in bathrooms and washrooms. Non-isolated, fused, shaver socket outlets must never be installed in any location subject to splashes, condensation or damp conditions.

For installation in any other room where a wash basin or shower cubicle is installed then refer to the current IET wiring regulations.