

Slotted DIN rail and brackets

A galvanised steel DIN rail manufactured to a high degree of dimensional accuracy. Available in lengths from 250mm to 2m. Steel brackets are available – height 48mm.

SPECIFICATIONS

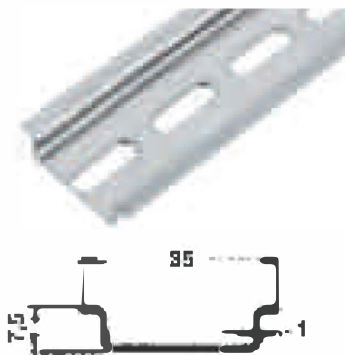
Material

Galvanised steel

Standards

Complies with DIN EN 60715.

RoHS 2 compliant



DIN rail and bracket

Part no.	Description	Size	Pack quantity
TS15/250	250mm slotted rail	250mm	1
TS35/250	250mm slotted rail	250mm	1
TS35/F.10	1000mm slotted rail	1m	10
TS35/F	2000mm slotted rail	2m	1
TSTW/M5	Bracket – 45° angle	48mm	1
TSTW/M6	Bracket – 45° angle	48mm	1

DIN rail cutting tool



SPECIFICATIONS

- Suitable for 35mm top hat DIN Rail.
- 350mm long handle
- Clamps onto a vice or bolts on bench.
- Produces half cut for end stops. No burrs.
- Open throat with unique design and replaceable blades.

Cutting tool

Part number	Description	Pack quantity
DIN-CUTTER	DIN rail cutter	1
DIN-CUTTER BLADE	Spare blade	1