

# Product End of Life Instructions

## Forta electro mechanical actuator M800 for globe valve





## Potential disassembly risks

### **⚠ WARNING**

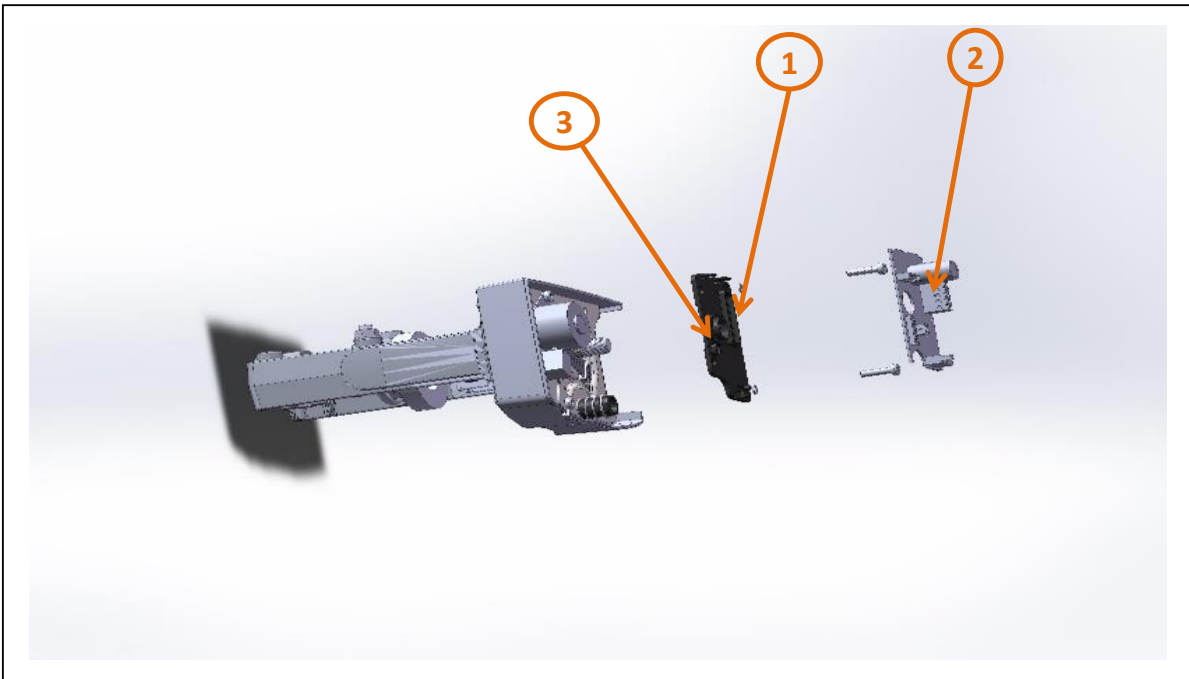
#### **HAZARD OF ARC FLASH OR FIRE**

- Disconnect battery terminals before disassembly
- Avoid any electrical connection between the terminals

**Failure to follow these instructions can result in death or serious injury.**



## End of Life Instructions



Recommendation	Number on drawing	Component / Material	Weight (in g)	Comment
To be depolluted	1	Electronic components	31.92115	PCBA
To be depolluted	2	Flame retardants	192.5	
To be depolluted	3	Capacitor	20	Aluminium capacitor



## Product description

Manufacturer identification	Schneider Electric Industries SAS
Brand name	Schneider Electric
Product function	<p>The SpaceLogic M800 is an electro-mechanical actuator for the control of two-way and three-way linear globe valves in:</p> <ul style="list-style-type: none"> <li>• domestic hot water systems</li> <li>• heating systems</li> <li>• air handling systems</li> </ul> <p>The SpaceLogic M800 is either controlled by an increase/decrease signal or by a modulating 0...10 V control signal. Modulating control makes for a faster positioning of the actuator</p>
Product reference	8800310030
Total representative product mass	1760 g
Representative product dimensions	173mm x 117mm x 242mm
Accessories	No
Date of information release	01-2025



## Additional information

Legal information	<p>This product family is in the scope of European Union directive 2012/19/EU on Waste Electrical and Electronic Equipment (WEEE). The product family must be disposed according to the legislation of the country. This document is intended for use by end of life recyclers or treatment facilities. It provides the basic information to assure an appropriate end of life treatment for the components and materials of the product.</p>
In case of special transportation: transportation method	No
Recyclability potential	<p><b>79%</b></p> <p>The recyclability rate was calculated from the recycling rates of each material making up the product based on REEECY'LAB tool developed by Ecosystem, for components/materials not covered by the tool, data from the EIME database and the related PSR was taken. If no data was found a conservative assumption was used (0% recyclability).</p>

Schneider Electric Industries SAS  
 Country Customer Care Center  
<http://www.se.com/contact>  
 35, rue Joseph Monier  
 CS 30323  
 F- 92500 Rueil Malmaison Cedex  
 RCS Nanterre 954 503 439  
 Capital social 928 298 512 €

[www.se.com](http://www.se.com)

ENVEOLI2501012\_V1

Published by Schneider Electric

© 2023 - Schneider Electric – All rights reserved

01-2025