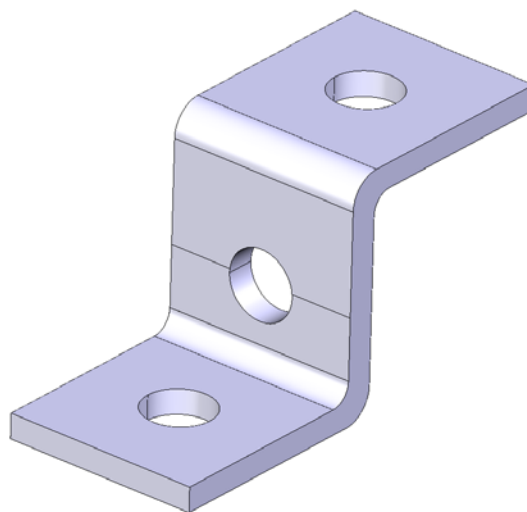


## CHANNEL BRACKET



Part Number : NLZ513A

Description : 41mm Z Bracket

Key features :

Finish	Hot Dipped Galvanised
Material	Steel
Inner Pack Qty	25
Outer Pack Qty	50

Technical Details : Compliant to LU Standard 1-085  
(For use on surface & sub-surface locations)  
All holes are  $\varnothing$ 14mm

Date completed by manufacturer : 20/07/2017