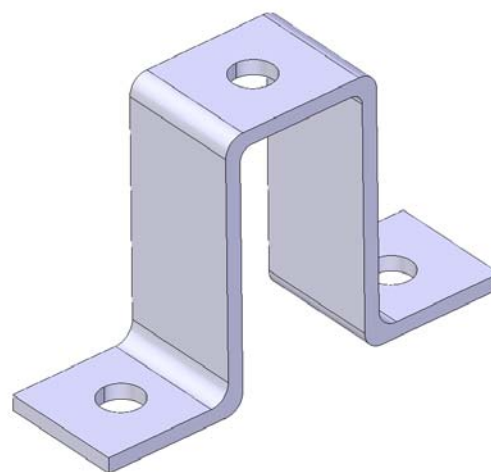


CHANNEL BRACKET



Part Number : NLZ516A

Description : 82mm U Bracket

Key features :

Finish	Hot Dipped Galvanised
Material	Steel
Inner Pack Qty	10
Outer Pack Qty	40

Technical Details : Compliant to LU Standard 1-085
(For use on surface & sub-surface locations)
All holes are \varnothing 14mm

Date completed by manufacturer : 20/07/2017