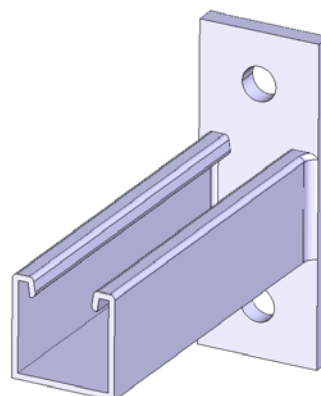


CHANNEL CANTILEVER ARM



Part Number : NLZ750A

Description : 150mm Channel Cantilver Arm - 2 hole base plate

Key features :

Finish	Hot Dipped Galvanised
Material	Steel
Inner Pack Qty	Supplied individually
Outer Pack Qty	10

Technical Details : Compliant to LU Standard 1-085
(For use on surface & sub-surface locations)
All holes are \varnothing 14mm

Date completed by manufacturer : 20/07/2017