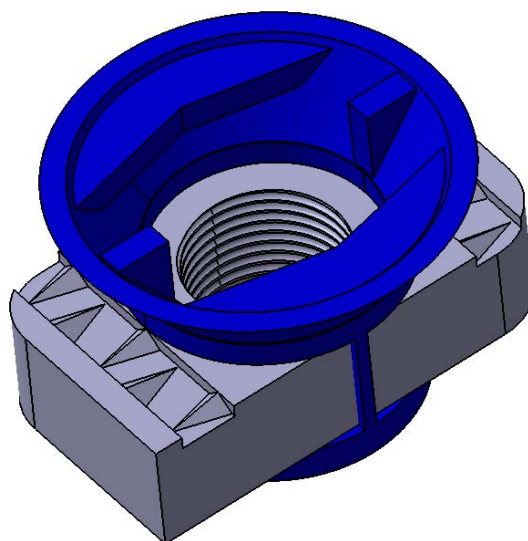


EASYFIT CHANNEL NUT



Part Number : NLZN103A

Description : M10 Easyfit Channel Nut c/w Nylon Captive Assembly

Key features :

Finish	BZP - Nut only
Material	Nut - Steel / Captive Assembly - Nylon 6
Inner Pack Qty	100
Outer Pack Qty	600

Technical Details : For use with 21mm and 41mm Depth Channel
Produced to comply with the requirements of BS6946 Metal
Channel Support Systems
RoHS Compliant & Halogen Free

Date completed by manufacturer : 20/07/2017