

### Enclosed Switch Disconnects

#### NLSW634SS

- IEC / EN 60947-3
- Grade 304 Brushed Stainless Steel Enclosure
- Fully Earth Bonded
- Padlockable for Added Security
- 4 Pole Switch Ratings at AC-22



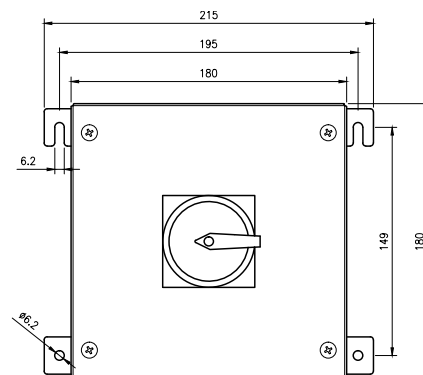
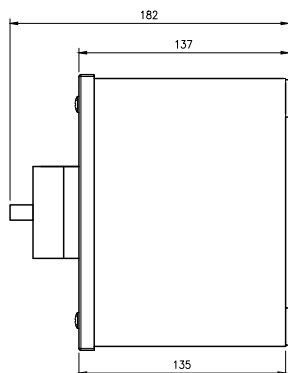
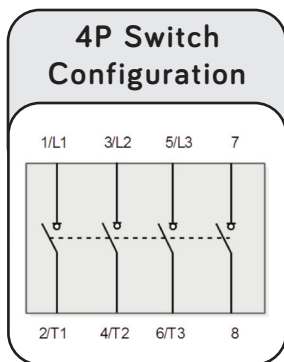
#### ⚠ Important Safety Notice

It is the responsibility of the person installing the electrical equipment to ensure that the installation meets the requirements of the IET wiring regulations and is therefore 'fit for purpose'. Factors such as correct selection of components, cable sizing, protective devices and Earth bonding are all critical and should be checked prior to full testing and power-up. Any other regulations applicable to the equipment being installed such as the Machinery Directive and current health and safety legislation must also be adhered to.

Terminals, including factory fitted, should be checked periodically to ensure correct tightness.

**DO NOT USE POWER TOOLS ON THESE PRODUCTS**

DATA	Range	Units	NLSW 634SS	DATA	Range	Units	NLSW 634SS	
<b>Rated operational voltage Ue</b>				<b>UL Power Rating</b>				
IEC & EN	Volts	V	690	DOL	3 Phase	120V	hp	7.5
UL	Volts	V	600			240V	hp	15
Main switch Isolating voltage up to	Volts	V	750			480V	hp	25
Rated impulse withstand voltage Uimp	Volts	kV	6			600V	hp	30
Rated uninterrupted current Iu	Amps	A	63		1 Phase	120V	hp	3
<b>Rated operational current Ie</b>				<b>UL Short Circuit Ratings</b>				
IEC & EN	AC-22A	Up to 690V	A	63	Fuse rating, class J	Amps	A	70
	AC-21A	Up to 690V	A	80	Fuse rating, class RK5	Amps	A	-
	AC-1	Up to 690V	A	80	Rated Fused short circuit current	Amps	kA	10
<b>Rated operational power AC-23A (50-60Hz)</b>				<b>Short Circuit Capacity (IEC)</b>				
IEC & EN	3 Phase	230(240)V	kW	30	Max fuse size (Type gI)	Amps	A	63
		400(415)V	kW	37	Rated Fused short circuit current	Amps	kA	30
		690V	kW	45	<b>Terminal Specification</b>			
<b>Rated operational power AC-3 (50-60Hz)</b>				Single/ Multiple strand wire				
IEC & EN	3 Phase	230(240)V	kW	22			Min-mm <sup>2</sup>	2.5
		400(415)V	kW	22			Max-mm <sup>2</sup>	25
		690V	kW	30			Min-mm <sup>2</sup>	2.5
						Max-mm <sup>2</sup>	10	
						American wire gauge	AWG	6
						Recommended Tightening Torque	Nm	2.0



17/06/2015