

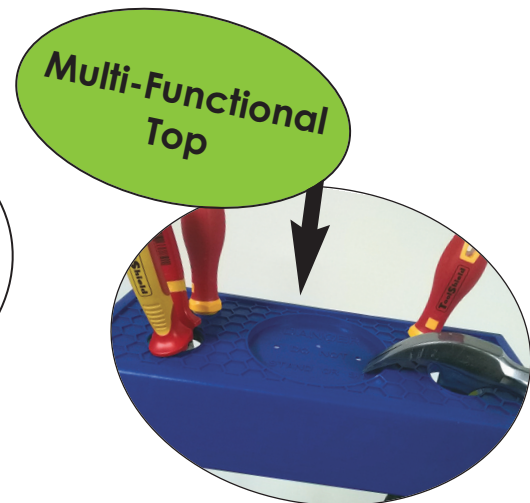
## BS EN 131 - FIBREGLASS STEP LADDERS

The versatile and durable range of swingback ladders in fibreglass.

Built for use in tough environments and designed to handle the wide variety of tasks required on a jobsite, whilst ensuring optimum safety and convenience for the user.

- ▶ Fibreglass ladder rails are non-conductive - safer for working around electricity
- ▶ Lightweight, Strong, Heat and Weather resistant
- ▶ Durable - offers excellent resistance to denting and bending
- ▶ Safely secure tools at working height using the multi-functional top
- ▶ Non slip steps and rubber non-slip feet for greater safety
- ▶ Conforms to BS EN-131-1-2-3 for professional use
- ▶ Voltage tested to 35000V

TECHNICAL DATA SHEET



**Max Load  
150Kg**

LAD6

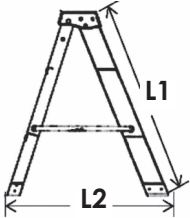
**GREEN BROOK ELECTRICAL**  
 Tel +44 (0) 1279 772 772  
 Fax +44 (0) 1279 422 007  
 www.greenbrook.co.uk

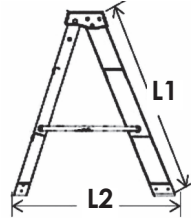
	LAD4	LAD5	LAD6	LAD7	LAD8	LAD9	LAD10
<b>Product Finish</b>	Fibre Glass	Fibre Glass	Fibre Glass	Fibre Glass	Fibre Glass	Fibre Glass	Fibre Glass
<b>Description</b>	No of Steps 3 Useable Steps 1	No of Steps 4 Useable Steps 2	No of Steps 5 Useable Steps 3	No of Steps 6 Useable Steps 4	No of Steps 7 Useable Steps 5	No of Steps 8 Useable Steps 6	No of Steps 9 Useable Steps 7
<b>Product Dimensions</b>	See Overleaf Main Ladder Specification Charts						
<b>Product weight</b>	6.1kg	7.5kg	8.7kg	10.5kg	11.6kg	13.7kg	14.9kg
<b>Barcode</b>	5012739650567	5012739650574	5012739650574	5012739650598	5012739650604	5012739650611	5012739650628
<b>Guarantee</b>	1 Year						
<b>Certification &amp; Conformity</b>	BS EN 131-1-2-3						

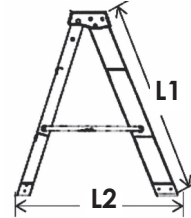


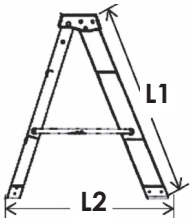
LAD8

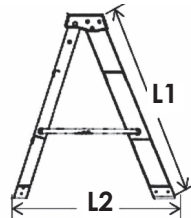
## LADDER SPECIFICATION:

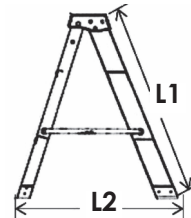
LAD4	
	
No of steps	3
Useable Steps	1
Weight	6.1kg
Max Load	150kg
L1(mm)	1140
L2 (mm)	875
Pack Size (mm) (inc Packing)	L1240 x W510 x D170
Open Height (mm)	1060
Useable Step Height (mm)	270

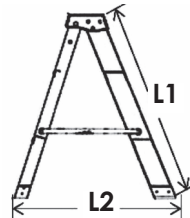
LAD5	
	
No of steps	4
Useable Steps	2
Weight	7.5kg
Max Load	150kg
L1(mm)	1440
L2 (mm)	1070
Pack Size (mm) (inc Packing)	L1540 x W535 x D170
Open Height (mm)	1337
Useable Step Height (mm)	548

LAD6	
	
No of steps	5
Useable Steps	3
Weight	8.7kg
Max Load	150kg
L1(mm)	1740
L2 (mm)	1265
Pack Size (mm) (inc Packing)	L1840 x W580 x D170
Open Height (mm)	1615
Useable Step Height (mm)	826

LAD7	
	
No of steps	6
Useable Steps	4
Weight	10.5kg
Max Load	150kg
L1(mm)	2040
L2 (mm)	1465
Pack Size (mm) (inc Packing)	L2140 x W615 x D170
Open Height (mm)	1893
Useable Step Height (mm)	1104

LAD8	
	
No of steps	7
Useable Steps	5
Weight	11.6kg
Max Load	150kg
L1(mm)	2340
L2 (mm)	1665
Pack Size (mm) (inc Packing)	L2440 x W650 x D170
Open Height (mm)	2170
Useable Step Height (mm)	1382

LAD9	
	
No of steps	8
Useable Steps	6
Weight	13.7kg
Max Load	150kg
L1(mm)	2640
L2 (mm)	1855
Pack Size (mm) (inc Packing)	L2740 x W690 x D170
Open Height (mm)	2450
Useable Step Height (mm)	1660

LAD10	
	
No of steps	9
Useable Steps	7
Weight	14.9kg
Max Load	150kg
L1(mm)	2940
L2 (mm)	2055
Pack Size (mm) (inc Packing)	L3040 x W720 x D170
Open Height (mm)	2727
Useable Step Height (mm)	1938