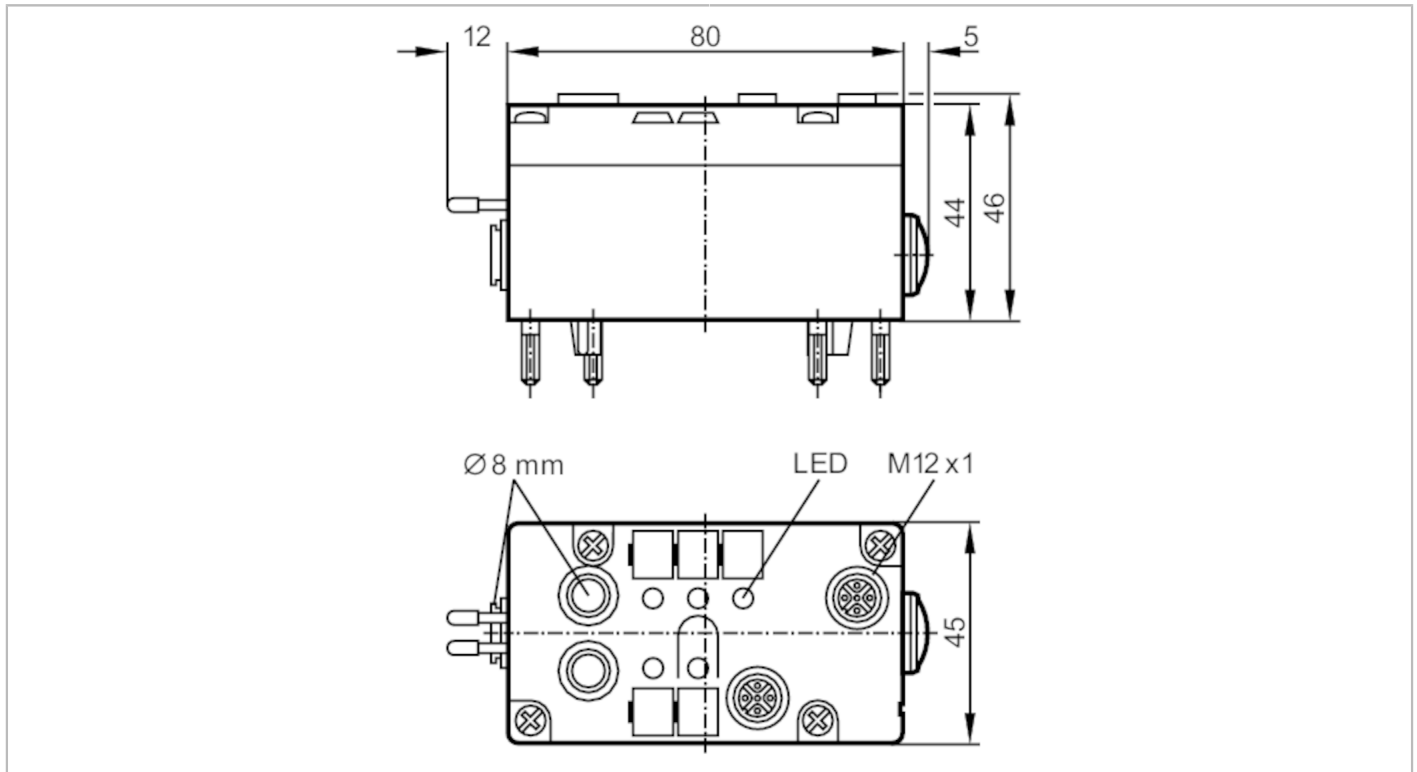


AC2042



AS-Interface AirBox

AirBox 2x2DI 2PO M12



Application	
Application	field installation
Electrical data	
Operating voltage [V]	26.5...31.6 DC
Max. current consumption from AS-i [mA]	170
Integrated watchdog	yes
Inputs / outputs	
Number of inputs and outputs	Number of digital inputs: 4; Number of pneumatic outputs: 2
Inputs	
Number of digital inputs	4; (2 x 2)
Input circuit of digital inputs	PNP
Sensor supply of the inputs	AS-i
Voltage supply [V]	20...30
Max. total current rating of inputs [mA]	100
Input current High [mA]	> 3
Input current Low [mA]	< 1.5
Switching level high [V]	> 10
Digital inputs protected against short circuits	yes

AC2042



AS-Interface AirBox

AirBox 2x2DI 2PO M12

Outputs

Number of pneumatic outputs	2
Actuator supply outputs	AS-i

Operating conditions

Ambient temperature [°C]	0...55
Note on ambient temperature	with special compressed air treatment: < 0 °C
Protection	IP 65

Tests / approvals

EMC	EN 50295
-----	----------

AS-i classification

Extended addressing mode	no				
AS-i profile	S-7.F				
AS-i I/O configuration [hex]	7				
AS-i ID code [hex]	F				
Assignment of the data bits	data bit	D0	D1	D2	D3
	Inputs / outputs	I-1/2	I-1/2	I-3/4 / O3	I-3/4 / O4
	pin	4	2	4	2

Mechanical data

Weight [g]	253.5
Type of mounting	screw mounting
Materials	PBT
Pneumatic system	2 x 3/2-way seat valves
Operating pressure range [bar]	2...8
Operating pressure range [MPa]	0.2...0.8
Note on working pressure range	incl. possible pressure peaks
Air flow at 6/5 bar [l/min]	350
Air flow at 6/0 bar [l/min]	550
Permissible compressed air	filtered (5 µm); lubricated (ISO-VG10) or not lubricated
Tube fittings	Legris LF 3000/8
Exhaust	integrated exhaust

Displays / operating elements

Display	operation	LED, green
	function	LED, yellow

Electrical connection

Module connection	Flachkabel
-------------------	------------

Remarks

Remarks	Please see the notes on compressed air and EMC/ESD under "Downloads"
Pack quantity	1 pcs.

Electrical connection

contact pins to module lower part, FK / PG:

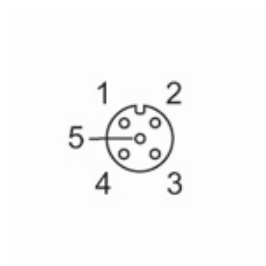
Connector: M12

AC2042



AS-Interface AirBox

AirBox 2x2DI 2PO M12



	input
1	Sensor supply L+
2	data input I2 / I4
3	Sensor supply L-
4	data input I1 / I3
5	not used