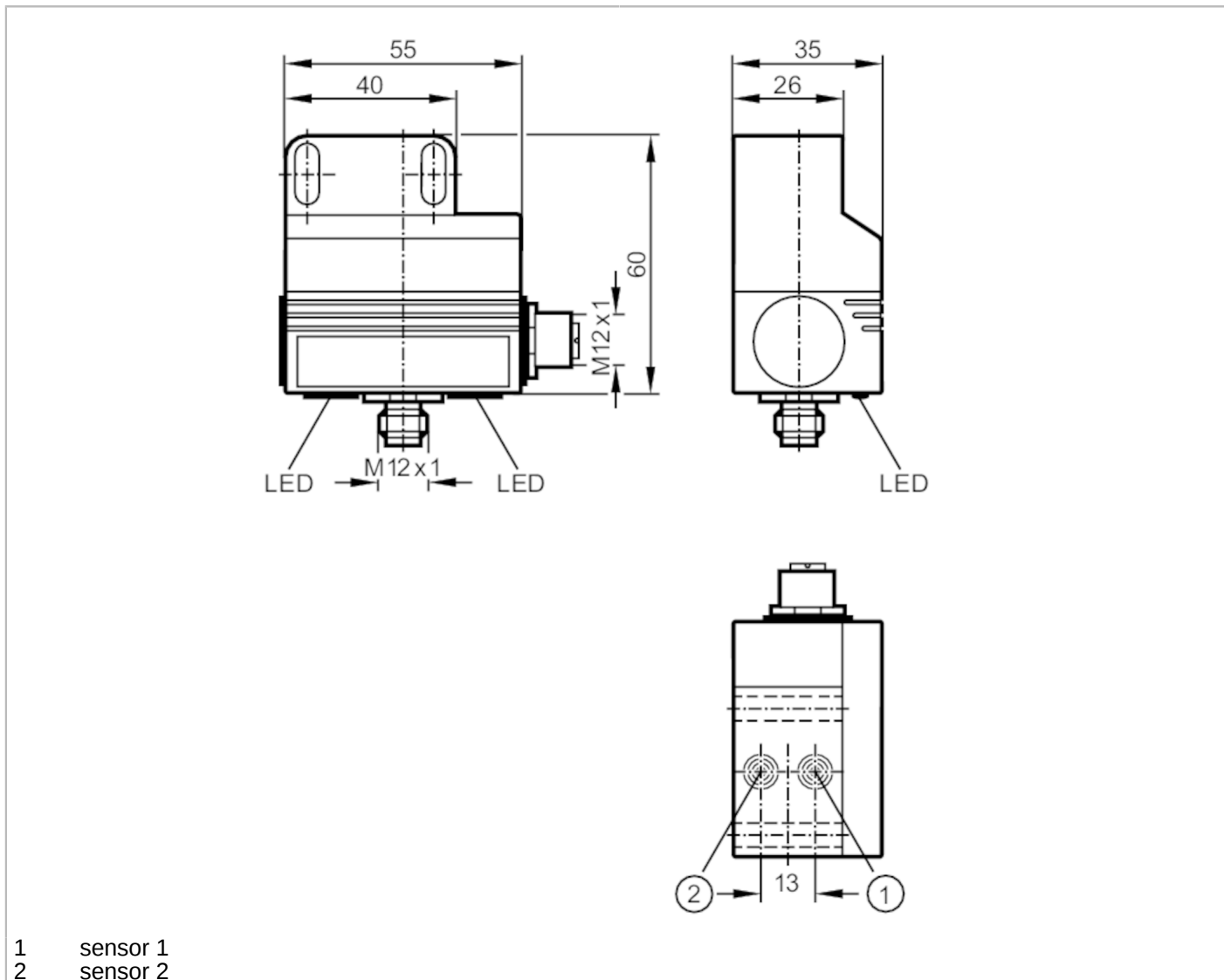


AC2317



AS-Interface dual sensor for pneumatic valve actuators

DUAL SENSOR T6 2SI 2DO T M12



Product characteristics	
Electrical design	AS-i
Sensing range [mm]	4
Dimensions [mm]	55 x 60 x 35
Electrical data	
Operating voltage [V]	26.5...31.6 DC; ("supply class 2" to cULus)
Max. current consumption from AS-i [mA]	260
Integrated watchdog	yes
Inputs / outputs	
Number of inputs and outputs	Number of digital inputs: 2; Number of digital outputs: 2

AC2317



AS-Interface dual sensor for pneumatic valve actuators

DUAL SENSOR T6 2SI 2DO T M12

Inputs		
Number of digital inputs		2
Sensor supply of the inputs		AS-i
Voltage supply [V]		20...30
Digital inputs protected against short circuits		no
Outputs		
Electrical design		AS-i
Number of digital outputs		2
Max. current load per output [mA]		100
Short-circuit proof		yes
Electrically separated		no
Actuator supply outputs		AS-i
Detection zone		
Sensing range [mm]		4
Operating conditions		
Ambient temperature [°C]		-20...70
Protection		IP 67
Tests / approvals		
EMC	EN 50295	
	EN 61000-6-2	
MTTF [years]		310
AS-i classification		
AS-i version		2.1
Extended addressing mode		yes
AS-i profile		S-7.A.E
AS-i I/O configuration [hex]		7
AS-i ID code [hex]		A.E
AS-i certificate		75001
Mechanical data		
Weight [g]		178.5
Mounting		non-flush mountable
Dimensions [mm]		55 x 60 x 35
Materials		PBT; PC
Displays / operating elements		
Display	operation	1 x LED, green
	function	1 x LED, yellow
	error	1 x LED, red
Accessories		
Items supplied		Reinforcement bracket
		socket head screws: 2 x M5 x 35
		washers: 2

AC2317



AS-Interface dual sensor for pneumatic valve actuators

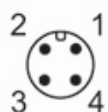
DUAL SENSOR T6 2SI 2DO T M12

Remarks

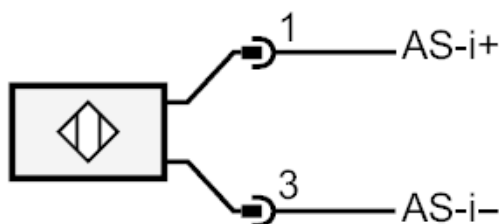
Remarks	The outputs must not be set simultaneously if the total load current exceeds 100 mA. *) operating voltage "supply class 2" according to cULus
Pack quantity	1 pcs.

Electrical connection - plug

Connector: 1 x M12; Moulded body: stainless steel



Connection

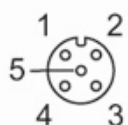


Elektrischer Anschluss

1	AS-i+
3	AS-i-

Electrical connection - socket

Connector: 1 x M12; Moulded body: stainless steel



AC2317



AS-Interface dual sensor for pneumatic valve actuators

DUAL SENSOR T6 2SI 2DO T M12

Ausgänge

2	switching output 2 +
3	external voltage -
4	switching output 1 +