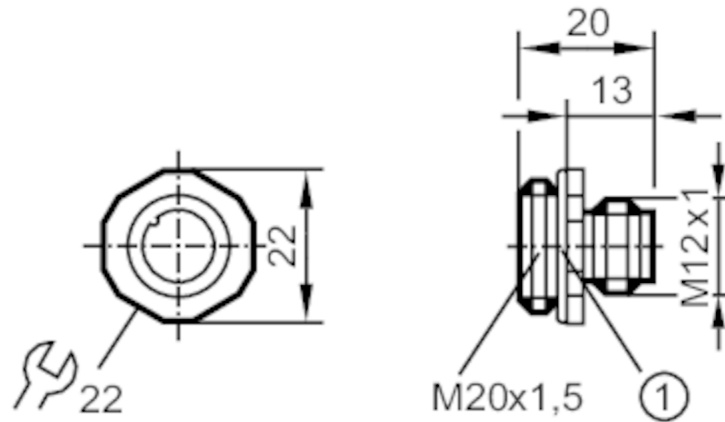


E11295



Adapter plug

ESTGH040MSS0,12E04 (M20)



Electrical data

Operating voltage [V] < 45 AC / < 70 DC

Operating conditions

Ambient temperature [°C] -25...85

Protection IP 68

Mechanical data

Weight [g] 19.6

Mounting thread M20

Materials brass nickel-plated

Moulded-body material brass, nickel-plated

Remarks

Pack quantity 1 pcs.

Electrical connection

Cable: 0.12 m, PVC; 4 x 0.25 mm²

Electrical connection - plug

Connector: 1 x M12, straight; Moulded body: brass, nickel-plated



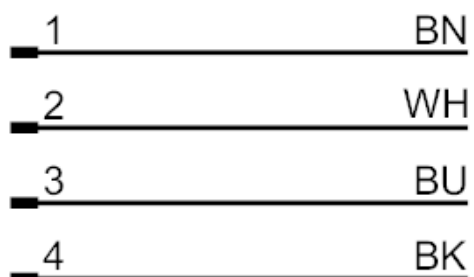
E11295



Adapter plug

ESTGH040MSS0,12E04 (M20)

Connection



Core colours :

BK = black
BN = brown
BU = blue
WH = white