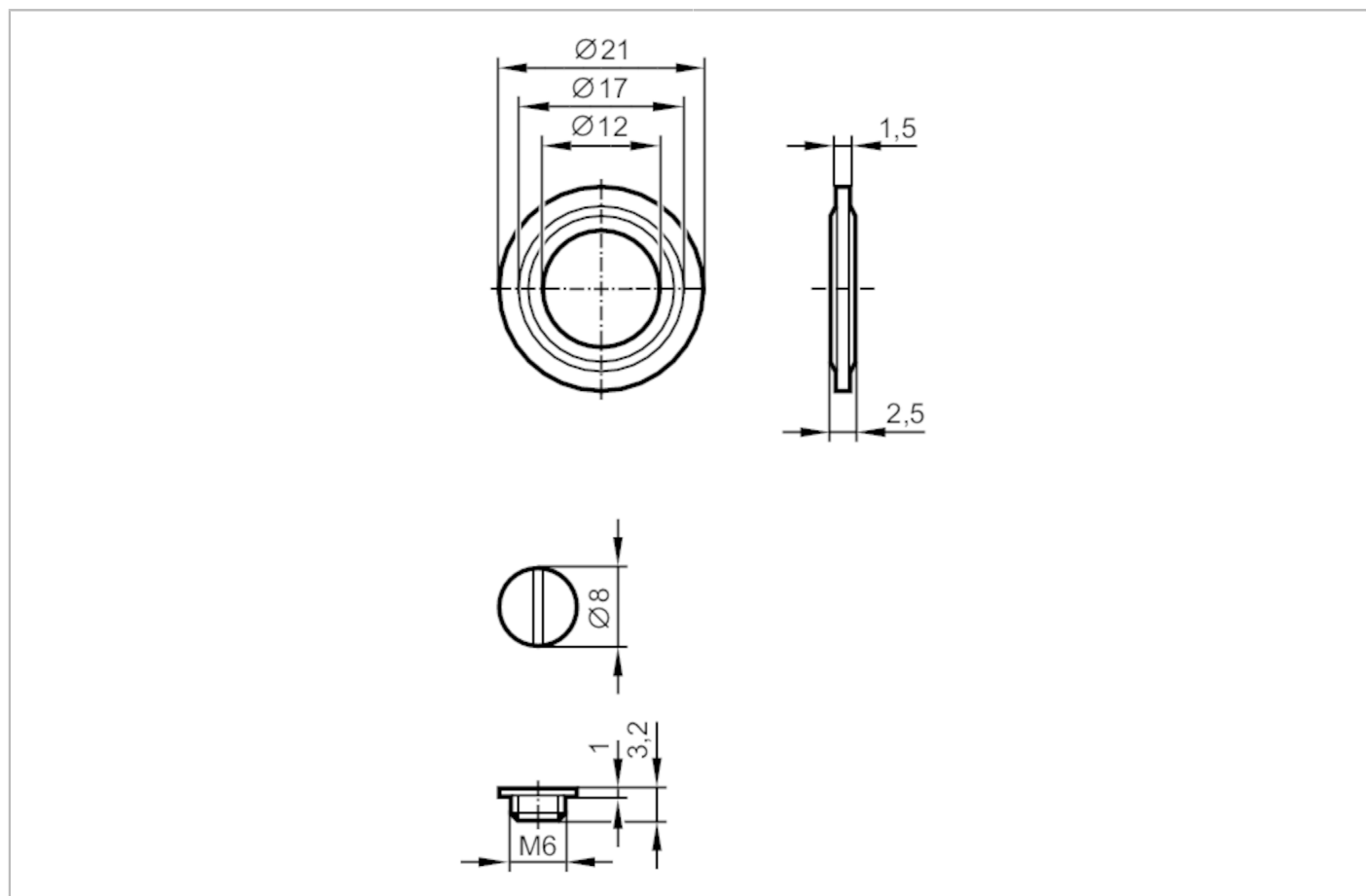


E30044



Damping screw for pressure sensors

DAMPING SCREW



| Application | |
|-----------------|---------------------------------------------|
| Design | for pressure sensors Typ PA, PB, PN, PY, PZ |
| Mechanical data | |
| Weight [g] | 5.4 |
| Accessories | |
| Items supplied | sealing ring |
| Remarks | |
| Pack quantity | 1 pcs. |