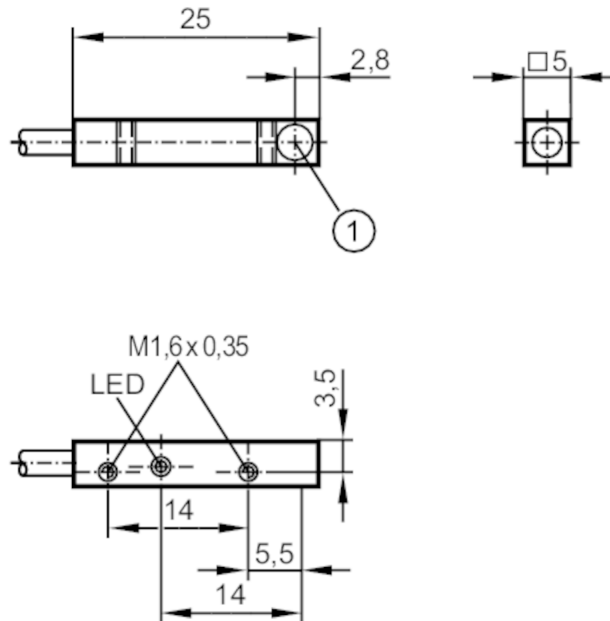


IL5022



Inductive sensor

ILB30,8-BPKG/2M PVC



1 sensing face



Product characteristics

Electrical design		PNP
Output function		normally open
Sensing range	[mm]	0.8
Housing		rectangular
Dimensions	[mm]	25 x 5 x 5

Electrical data

Operating voltage	[V]	10...30 DC
Current consumption	[mA]	10; (24 V)
Reverse polarity protection		yes

Outputs

Electrical design		PNP
Output function		normally open
Max. voltage drop switching output DC	[V]	1
Permanent current rating of switching output DC	[mA]	100
Switching frequency DC	[Hz]	1000
Short-circuit protection		yes
Type of short-circuit protection		pulsed
Overload protection		no

IL5022



Inductive sensor

ILB30,8-BPKG/2M PVC

Detection zone		
Sensing range	[mm]	0.8
Real sensing range Sr	[mm]	0.8 ± 10 %
Operating distance	[mm]	0...0.65
Accuracy / deviations		
Correction factor		steel: 1 / stainless steel: 0.7 / brass: 0.5 / aluminium: 0.4 / copper: 0.3
Hysteresis	[% of Sr]	< 15
Switch point drift	[% of Sr]	-10...10
Operating conditions		
Ambient temperature	[°C]	-25...70
Protection		IP 67
Tests / approvals		
EMC	EN 60947-5-2	
	EN 55011	class B
MTTF	[years]	640
UL approval	Ta	0...40 °C
	voltage supply	Class 2
	File number UL	E174191
Mechanical data		
Weight	[g]	54.5
Housing		rectangular
Mounting		flush mountable
Dimensions	[mm]	25 x 5 x 5
Materials		housing: aluminium anodised; sensing face: POM
Displays / operating elements		
Display	switching status	1 x LED, red
Accessories		
Items supplied		screws: 2
Remarks		
Pack quantity		1 pcs.

IL5022



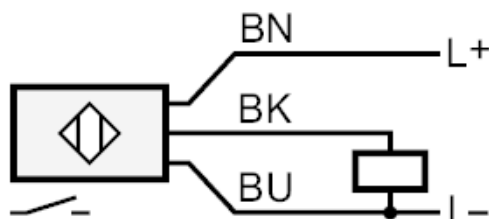
Inductive sensor

ILB30,8-BPKG/2M PVC

Electrical connection

Cable: 2 m, PVC; 3 x 0.14 mm²

Connection



Core colours :

BK = black
BN = brown
BU = blue