

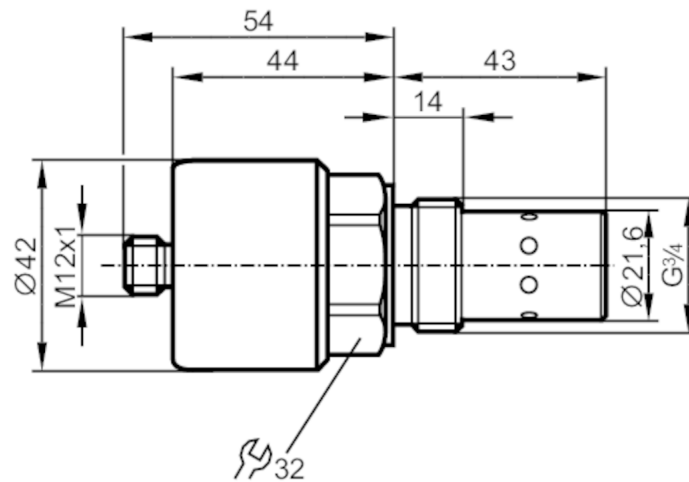
LDH100



Oil humidity sensor

OIL HUMIDITY SENSOR

For 8-pole sockets the core colours are not standardised.
Please note the wiring of the sensor and the sockets (see data sheet).



Product characteristics

Number of inputs and outputs	Number of analogue outputs: 2
Process connection	G 3/4

Application

Media	mineral oils; synthetic esters; biodegradable oils
Tank pressure [bar]	50

Oil

Medium temperature [°C]	-40...105
-------------------------	-----------

Electrical data

Operating voltage [V]	9...33 DC
Current consumption [mA]	< 25
Protection class	III
Reverse polarity protection	no
Measuring principle	capacitive

Inputs / outputs

Number of inputs and outputs	Number of analogue outputs: 2
------------------------------	-------------------------------

Outputs

Total number of outputs	2
Number of analogue outputs	2
Analogue current output [mA]	4...20
Max. load [Ω]	(U _b - 8) x 25
Resolution of analogue output	φ: 1% / T: 0.1 K

LDH100

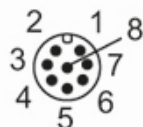


Oil humidity sensor

OIL HUMIDITY SENSOR

Measuring/setting range		
Temperature monitoring		
Measuring range	[°C] -20...120	
Accuracy / deviations		
Accuracy	φ : $\pm 3\%$ / T: $\pm 2\%$	
Response times		
Response time	[s] 1.3	
Operating conditions		
Ambient temperature	[°C] -40...85	
Storage temperature	[°C] -40...85	
Max. relative air humidity	[%] 100	
Protection	IP 67	
Tests / approvals		
EMC	EN 13309	
	IEC 61000-6-2	: 2005
	IEC 61000-6-4	: 2006 + AMD1: 2010
Vibration resistance	test following DIN EN 60068-2-6	
MTTF	[years] 90	
Mechanical data		
Weight	[g] 176.5	
Materials (wetted parts)	aluminium; HNBR; polyurethane resin; epoxy resin	
Process connection	G 3/4	
Remarks		
Remarks	accuracy values expressed in percent refer to the measuring span	
Pack quantity	1 pcs.	
Electrical connection		

Connector: 1 x M12



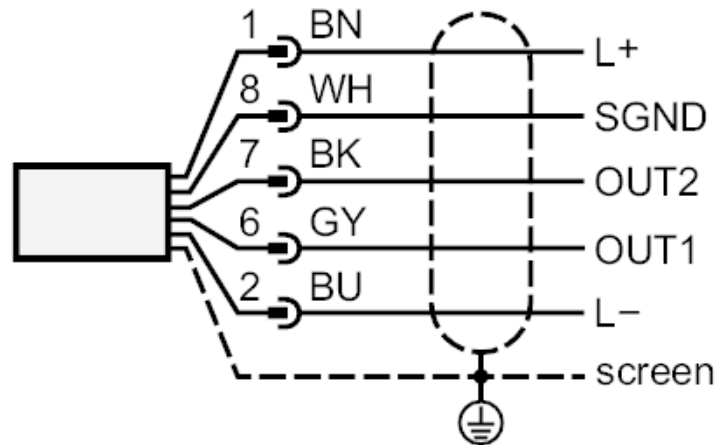
LDH100



Oil humidity sensor

OIL HUMIDITY SENSOR

Connection



SGND: signal ground
OUT1: oil temperature
OUT2: relative humidity