

Product datasheet

Specifications



head Ø22 + mounting base for potentiometer

Local distributor code: 237149608 ZB4BD922

Main

Range of product	Harmony XB4
Product or component type	Head + mounting base for potentiometer
Device short name	ZB4
Bezel material	Chromium plated metal
Mounting diameter	22 mm
Product compatibility	For use with Ø 6.35 mm shaft
Sale per indivisible quantity	1
Head type	Standard

Complementary

Net weight	0.08 kg
Resistance to high pressure washer	7000000 Pa at 55 °C, distance : 0.1 m
Shape of signaling unit head	Round
Operator profile	knurled knob, with (white)
Device presentation	Basic element

Environment

Protective treatment	TH
Ambient air temperature for storage	-40...70 °C
Ambient air temperature for operation	-40...70 °C
Electrical shock protection class	Class I conforming to IEC 60536
IP degree of protection	IP66 conforming to IEC 60529
NEMA degree of protection	NEMA 13 NEMA 4X
IK degree of protection	IK03 conforming to IEC 50102
Standards	EN/IEC 60947-5-4 UL 508 JIS C8201-5-1 EN/IEC 60947-5-1 EN/IEC 60947-5-5 EN/IEC 60947-1

Product certifications	DNV CSA LROS (Lloyds register of shipping) GL UL listed BV
Vibration resistance	5 gn (f= 2...500 Hz) conforming to IEC 60068-2-6
Shock resistance	30 gn (duration = 18 ms) for half sine wave acceleration conforming to IEC 60068-2-27 50 gn (duration = 11 ms) for half sine wave acceleration conforming to IEC 60068-2-27

Packing Units

Unit Type of Package 1	PCE
Number of Units in Package 1	1
Package 1 Weight	80.0 g
Package 1 Height	5.3 cm
Package 1 width	4.4 cm
Package 1 Length	5.5 cm
Unit Type of Package 2	S02
Number of Units in Package 2	80
Package 2 Weight	6.775 kg
Package 2 Height	15 cm
Package 2 width	30 cm
Package 2 Length	40 cm

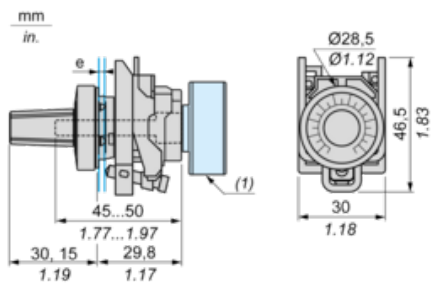
Offer Sustainability

Sustainable offer status	Green Premium product
REACH Regulation	REACH Declaration
REACH free of SVHC	Yes
EU RoHS Directive	Pro-active compliance (Product out of EU RoHS legal scope) EU RoHS Declaration
Toxic heavy metal free	Yes
Mercury free	Yes
RoHS exemption information	Yes
China RoHS Regulation	China RoHS declaration
Environmental Disclosure	Product Environmental Profile
Circularity Profile	End of Life Information

Contractual warranty

Warranty	18 months
-----------------	-----------

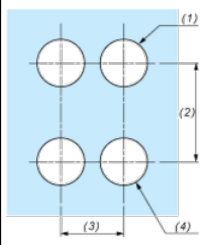
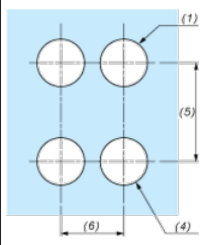
Dimensions



e: panel thickness: 1 to 6 mm / 0.04 to 0.24 in.

(1) Potentiometer not included

Panel Cut-out for Pushbuttons, Switches and Pilot Lights (Finished Holes, Ready for Installation)

Connection by Screw Clamp Terminals or Plug-in Connectors	Connection by Faston Connectors
	
<p>(1) Diameter on finished panel or support (2) 40 mm min. / 1.57 in. min. (3) 30 mm min. / 1.18 in. min. (4) \varnothing 22.5 mm / 0.89 in. recommended (\varnothing 22.3 mm $_0^{+0.4}$ / 0.88 in. $_0^{+0.016}$) (5) 45 mm min. / 1.78 in. min. (6) 32 mm min. / 1.26 in. min.</p>	