

Product datasheet

Specifications



line/motor choke - 2 mH - 17 A - 3 phases - 75 W - for variable speed drive

Local distributor code: 389856111 VW3A4553

Main

Range of product	Altivar
Product or component type	Line/motor choke

Product compatibility	Variable speed drive ATV340 motor: 4 kW 380...480 V - line choke - 1 per drive ATV31CU22M2 - motor choke - 1 per drive ATV31CU55N4 - line choke - 1 per drive ATV31CU55N4 - motor choke - 1 per drive ATV31CU75N4 - line choke - 1 per drive ATV61HD11Y - line choke - 1 per drive ATV61HD15Y - line choke - 1 per drive ATV61HU30M3 - line choke - 1 per drive ATV61HU55N4 - line choke - 1 per drive ATV61HU75N4 - line choke - 1 per drive ATV61WU55N4 - line choke - 1 per drive ATV61WU55N4C - line choke - 1 per drive ATV61WU75N4 - line choke - 1 per drive ATV61WU75N4C - line choke - 1 per drive ATV71HD11Y - line choke - 1 per drive ATV71HD15Y - line choke - 1 per drive ATV71HU30M3 - line choke - 1 per drive ATV71HU55N4 - line choke - 1 per drive ATV71HU75N4 - line choke - 1 per drive ATV71PU55N4Z - line choke - 1 per drive ATV71PU75N4Z - line choke - 1 per drive ATV71WU55N4 - line choke - 1 per drive ATV71WU75N4 - line choke - 1 per drive LXM05D42M3X - line choke - 1 per drive ATV12HU22M2 - motor choke - 1 per drive ATV12HU22M3 - motor choke - 1 per drive ATV312HD11S6 - line choke - 1 per drive ATV312HU22M3 - line choke - 1 per drive ATV312HU30M3 - line choke - 1 per drive ATV312HU55N4 - line choke - 1 per drive ATV312HU75N4 - line choke - 1 per drive ATV312HU75S6 - line choke - 1 per drive ATV71HU75S6X - line choke - 1 per drive ATV312HU22M3 - motor choke - 1 per drive ATV312HU30M3 - motor choke - 1 per drive ATV312HU55N4 - motor choke - 1 per drive ATV312HU75S6 - motor choke - 1 per drive ATV312HU22M2 - motor choke - 1 per drive ATV12HU30M3 - motor choke - 1 per drive ATV12PU22M3 - motor choke - 1 per drive ATV12PU30M3 - motor choke - 1 per drive ATV61HU75S6X - line choke - 1 per drive ATV32HU55N4 - line choke - 1 per drive ATV32HU75N4 - line choke - 1 per drive ATV32HU22M2 - motor choke - 1 per drive ATV32HU55N4 - motor choke - 1 per drive LXM32.D12N4 - line choke - 1 per drive LXM32.U60N4 - line choke - 1 per drive Variable speed drive ATV310 motor: 4 kW - line choke - 1 per drive Variable speed drive ATV310 motor: 5.5 kW - line choke - 1 per drive Variable speed drive ATV310 motor: 5.5 kW - motor choke - 1 per drive Variable speed drive ATV340 motor: 5.5 kW 380...480 V - line choke - 1 per drive Variable speed drive ATV340 motor: 7.5 kW 380...480 V - line choke - 1 per drive Variable speed drive ATV320 motor: 5.5 kW 380...500 V - three phase - line choke - 1 per drive Variable speed drive ATV320 motor: 7.5 kW 380...500 V - three phase - line choke - 1 per drive Variable speed drive ATV320 motor: 2.2 kW 200...240 V - single phase - motor choke - 1 per drive Variable speed drive ATV320 motor: 5.5 kW 380...500 V - three phase - motor choke - 1 per drive Variable speed drive ATV320 motor: 2.2 kW 200...240 V - three phase - line choke - 1 per drive
-----------------------	---

Variable speed drive ATV320 motor: 3 kW 200...240 V - three phase - line choke - 1 per drive
 Variable speed drive ATV320 motor: 2.2 kW 200...240 V - three phase - motor choke - 1 per drive
 Variable speed drive ATV320 motor: 3 kW 200...240 V - three phase - motor choke - 1 per drive
 Variable speed drive ATV320 motor: 5.5 kW 525...600 V - three phase - line choke - 1 per drive
 Variable speed drive ATV320 motor: 7.5 kW 525...600 V - three phase - line choke - 1 per drive
 Variable speed drive ATV320 motor: 7.5 kW 525...600 V - three phase - motor choke - 1 per drive
 Variable speed drive ATV630 motor: 11 kW 500...690 V - three phase - line choke - 1 per drive
 Variable speed drive ATV630 motor: 15 kW 500...690 V - three phase - line choke - 1 per drive
 Variable speed drive ATV930 motor: 11 kW 500...690 V - three phase - line choke - 1 per drive
 Variable speed drive ATV930 motor: 15 kW 500...690 V - three phase - line choke - 1 per drive
 Variable speed drive ATV630 motor: 600 V - three phase - line choke - 10 hp - 1 per drive
 Variable speed drive ATV630 motor: 600 V - three phase - line choke - 15 hp - 1 per drive
 Variable speed drive ATV930 motor: 600 V - three phase - line choke - 10 hp - 1 per drive
 Variable speed drive ATV930 motor: 600 V - three phase - line choke - 15 hp - 1 per drive
 Variable speed drive ATV310L motor: 0.75 kW
 Variable speed drive ATV310L motor: 1.5 kW
 Variable speed drive ATV310L motor: 2.2 kW
 Variable speed drive ATV310L motor: 3.0 kW
 Variable speed drive ATV310L motor: 4.0 kW
 Variable speed drive ATV310L motor: 5.5 kW

Number of phases	Three phase
Range compatibility	Altivar 61 Altivar Process ATV900 Lexium 05 Altivar 312 Solar Altivar Process ATV600 Altivar 32 Altivar 71 Lexium 62 Easy Altivar 310 Altivar 12 Altivar 31C Lexium 52 Altivar 312 Lexium 32 Altivar Machine ATV320 Altivar Machine ATV340 Easy Altivar 310L
Device application	Reduction of current harmonics Reduction of overvoltages at motor terminals
Value of inductance	2 mH
[In] rated current	17 A
Thermal losses	75 W
Electrical connection	Terminal 6 mm ² / AWG 8, 0.8...1 N.m

Complementary

Power supply frequency	50...60 Hz
Max current	1.65 x nominal current (duration = 60 s)
Maximum voltage drop at rated load	5 %
Electrical insulation class	Class F
Minimum clearance distance	5.5 mm IEC 60664
Leakage distance	11.5 mm conforming to IEC 60664
Net weight	3.5 kg
Width	130 mm
Height	155 mm
Depth	90 mm

Environment

Standards	VDE 0160 level 1 EN 50178 IEC 60076 (with HD398)
IP degree of protection	Choke: IP00 Terminals: IP20
Environmental characteristic	3B1 conforming to IEC 721-3-3 3C2 conforming to IEC 721-3-3

3S1 conforming to IEC 721-3-3

Pollution degree	2 conforming to EN 50178
Vibration resistance	1 gn (f= 13...200 Hz) conforming to IEC 60068-2-6 1.5 mm peak to peak (f= 3...13 Hz) conforming to IEC 60068-2-6
Shock resistance	15 gn for 11 ms conforming to IEC 60068-2-27
Relative humidity	0...95 %
Ambient air temperature for operation	45...55 °C (with current derating of 2 % per °C) 0...45 °C (without current derating)
Ambient air temperature for storage	-25...70 °C
Operating altitude	<= 1000 m without current derating 1000...3000 m with current derating 1 % per 100 m

Packing Units

Unit Type of Package 1	PCE
Number of Units in Package 1	1
Package 1 Weight	3.628 kg
Package 1 Height	19.2 cm
Package 1 width	19.6 cm
Package 1 Length	22.6 cm
Unit Type of Package 2	P06
Number of Units in Package 2	12
Package 2 Weight	60.88 kg
Package 2 Height	73.5 cm
Package 2 width	80 cm
Package 2 Length	60 cm

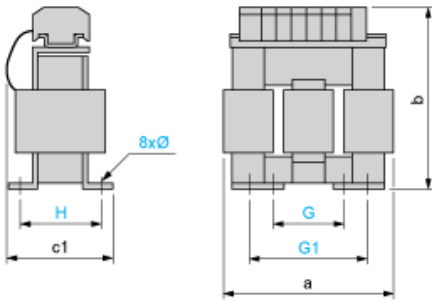
Offer Sustainability

REACH Regulation	REACH Declaration
REACH free of SVHC	Yes
EU RoHS Directive	Pro-active compliance (Product out of EU RoHS legal scope) EU RoHS Declaration
Toxic heavy metal free	Yes
Mercury free	Yes
RoHS exemption information	Yes
China RoHS Regulation	China RoHS declaration

Contractual warranty

Warranty	18 months
-----------------	-----------

Dimensions



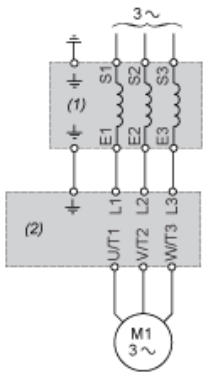
Dimensions in mm

a	b	c1	G	G1	H	Ø
130	155	90	60	80.5	62	6 x 12

Dimensions in in.

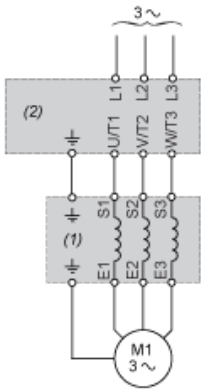
a	b	c1	G	G1	H	Ø
5.12	6.10	3.54	2.36	3.17	2.44	0.24 x 0.47

Recommended Schema - Line Choke



- (1) Line Choke
- (2) Drive

Recommended Schema - Motor Choke



- (1) Motor Choke
- (2) Drive