

Product datasheet

Specifications



line/motor choke - 0.5 mH - 60 A - 3 phases - 94 W - for variable speed drive

Local distributor code: 389856137 VW3A4555

Main

Range of product	Altivar
Product or component type	Line/motor choke
Product compatibility	<p>LXM32MD85N4 - line choke - 1 per drive LXM32MC10N4 - line choke - 1 per drive Variable speed drive ATV340 motor: 15 kW 380...480 V - line choke - 1 per drive ATV61CD15N4 - motor choke - 1 per drive ATV61HD11M3X - line choke - 1 per drive ATV61HD15N4 - motor choke - 1 per drive ATV61HD18N4 - line choke - 1 per drive ATV61HD22N4 - line choke - 1 per drive ATV61HD30Y - line choke - 1 per drive ATV61HD37Y - line choke - 1 per drive ATV61HD45Y - line choke - 1 per drive ATV61HU75M3 - line choke - 1 per drive ATV61KD15N4 - motor choke - 1 per drive ATV61WD18N4 - line choke - 1 per drive ATV61WD18N4C - line choke - 1 per drive ATV61WD22N4 - line choke - 1 per drive ATV61WD22N4C - line choke - 1 per drive ATV71HD11M3X - line choke - 1 per drive ATV71HD18N4 - line choke - 1 per drive ATV71HD22N4 - line choke - 1 per drive ATV71HD30Y - line choke - 1 per drive ATV71HD37Y - line choke - 1 per drive ATV71HD45Y - line choke - 1 per drive ATV71HU75M3 - line choke - 1 per drive ATV71WD18N4 - line choke - 1 per drive ATV71WD22N4 - line choke - 1 per drive ATV312HD11M3 - line choke - 1 per drive ATV312HD15M3 - line choke - 1 per drive ATV32HD15N4 - motor choke - 1 per drive Variable speed drive ATV340 motor: 18 kW 380...480 V - line choke - 1 per drive Variable speed drive ATV340 motor: 22 kW 380...480 V - line choke - 1 per drive Variable speed drive ATV320 motor: 15 kW 380...500 V - three phase - motor choke - 1 per drive Variable speed drive ATV320 motor: 11 kW 200...240 V - three phase - line choke - 1 per drive Variable speed drive ATV320 motor: 15 kW 200...240 V - three phase - line choke - 1 per drive Variable speed drive ATV630 motor: 30 kW 500...690 V - three phase - line choke - 1 per drive Variable speed drive ATV630 motor: 37 kW 500...690 V - three phase - line choke - 1 per drive Variable speed drive ATV630 motor: 45 kW 500...690 V - three phase - line choke - 1 per drive Variable speed drive ATV930 motor: 30 kW 500...690 V - three phase - line choke - 1 per drive Variable speed drive ATV930 motor: 37 kW 500...690 V - three phase - line choke - 1 per drive Variable speed drive ATV930 motor: 45 kW 500...690 V - three phase - line choke - 1 per drive Variable speed drive ATV630 motor: 600 V - three phase - line choke - 40 hp - 1 per drive Variable speed drive ATV630 motor: 600 V - three phase - line choke - 50 hp - 1 per drive Variable speed drive ATV630 motor: 600 V - three phase - line choke - 60 hp - 1 per drive Variable speed drive ATV930 motor: 600 V - three phase - line choke - 40 hp - 1 per drive Variable speed drive ATV930 motor: 600 V - three phase - line choke - 50 hp - 1 per drive Variable speed drive ATV930 motor: 600 V - three phase - line choke - 60 hp - 1 per drive</p>
Number of phases	Three phase
Range compatibility	<p>Altivar 32 Altivar Machine ATV340 Lexium 62 Altivar 71 Altivar Machine ATV320 Altivar 312 Altivar Process ATV900 Altivar Process ATV600 Altivar 61</p>

Device application	Reduction of overvoltages at motor terminals Reduction of current harmonics
Value of inductance	0.5 mH
[In] rated current	60 A
Thermal losses	94 W
Electrical connection	Terminal 35 mm ² / AWG 0, 2.5...3 N.m

Complementary

Power supply frequency	50...60 Hz
Max current	1.65 x nominal current (duration = 60 s)
Maximum voltage drop at rated load	5 %
Electrical insulation class	Class F
Minimum clearance distance	5.5 mm IEC 60664
Leakage distance	11.5 mm conforming to IEC 60664
Net weight	11 kg
Width	180 mm
Height	210 mm
Depth	165 mm

Environment

Standards	EN 50178 IEC 60076 (with HD398) VDE 0160 level 1
IP degree of protection	Choke: IP00 Terminals: IP10
Environmental characteristic	3B1 conforming to IEC 721-3-3 3C2 conforming to IEC 721-3-3 3S1 conforming to IEC 721-3-3
Pollution degree	2 conforming to EN 50178
Vibration resistance	1 gn (f= 13...200 Hz) conforming to IEC 60068-2-6 1.5 mm peak to peak (f= 3...13 Hz) conforming to IEC 60068-2-6
Shock resistance	15 gn for 11 ms conforming to IEC 60068-2-27
Relative humidity	0...95 %
Ambient air temperature for operation	45...55 °C (with current derating of 2 % per °C) 0...45 °C (without current derating)
Ambient air temperature for storage	-25...70 °C
Operating altitude	<= 1000 m without current derating <= 1000 m without derating

Packing Units

Unit Type of Package 1	PCE
Number of Units in Package 1	1
Package 1 Weight	11.232 kg
Package 1 Height	25.6 cm
Package 1 width	28.4 cm
Package 1 Length	32.8 cm

Unit Type of Package 2	P06
Number of Units in Package 2	8
Package 2 Weight	105.16 kg
Package 2 Height	73.5 cm
Package 2 width	80 cm
Package 2 Length	60 cm

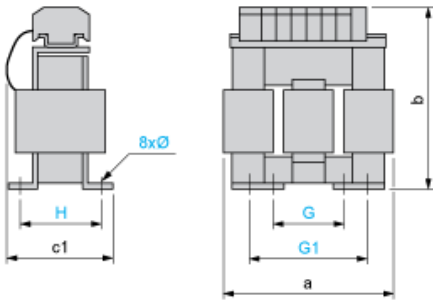
Offer Sustainability

REACH Regulation	REACH Declaration
REACH free of SVHC	Yes
EU RoHS Directive	Pro-active compliance (Product out of EU RoHS legal scope) EU RoHS Declaration
Toxic heavy metal free	Yes
Mercury free	Yes
RoHS exemption information	Yes
China RoHS Regulation	China RoHS declaration

Contractual warranty

Warranty	18 months
-----------------	-----------

Dimensions



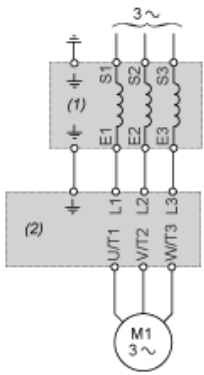
Dimensions in mm

a	b	c1	G	G1	H	Ø
180	210	160	85	122	105	6 x 12

Dimensions in in.

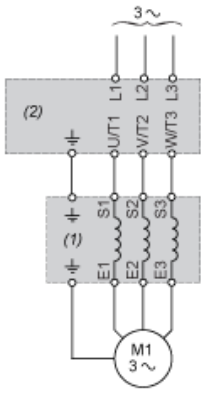
a	b	c1	G	G1	H	Ø
7.09	8.27	6.30	3.35	4.80	4.13	0.24 x 0.47

Recommended Schema - Line Choke



- (1) Line Choke
- (2) Drive

Recommended Schema - Motor Choke



- (1) Motor Choke
- (2) Drive