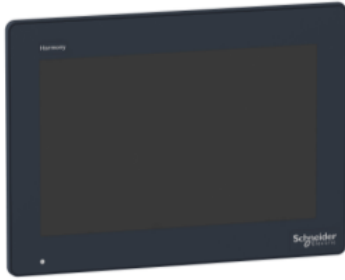


# Product datasheet

Specifications



## 10W Touch Advanced Display WXGA

Local distributor code: 402743059 HMIDT551

### Main

Range of product	Harmony GTU
Product or component type	Advanced touchscreen panel
Terminal type	Touchscreen display
[Us] rated supply voltage	12...24 V DC power supply
Supply voltage limits	10.8...28.8 V
Power consumption in W	6.5 W
Inrush current	30 A

### Complementary

Touchscreen resolution	1024 x 1024
Pixel resolution	1280 x 800
Display size	10.1 inch
Aspect ratio	4:3
Display type	Colour TFT LCD
Display resolution	1280 x 800 pixels WVGA
Display colour	262144 colors
Backlight lifespan	50000 hours
Touch panel	Single touch analogue resistive
Type of cooling	Natural convection
Type of installation	Indoor installation
Cut-out dimensions	255 (+ 1/- 0) x 185 (+ 1/- 0) mm
Width	268.5 mm
Height	198.5 mm
Depth	67 mm
Net weight	2.5 kg

### Environment

IP degree of protection	Front panel: IP66 Front panel: IP67
NEMA degree of protection	NEMA 4X front panel

<b>Standards</b>	UL 508 ANSI/ISA 12-12-01 Class I division 2 CSA C22.2 No 213 CSA C22.2 No 142 IEC 61132-2
<b>Product certifications</b>	RCM CULus KC CE
<b>Ambient air temperature for operation</b>	0...60 °C conforming to EN 61131-2
<b>Ambient air temperature for storage</b>	-20...60 °C
<b>Relative humidity</b>	10...90 % non-condensing
<b>Operating altitude</b>	2000 m
<b>Vibration resistance</b>	3.5 mm constant amplitude (f = 5...9 Hz) conforming to EN/IEC 61131-2 9.8 m/s <sup>2</sup> (f = 9...150 Hz) conforming to EN/IEC 61131-2
<b>Shock resistance</b>	147 m/s <sup>2</sup> conforming to EN/IEC 61131-2
<b>Electromagnetic compatibility</b>	Electrostatic discharge immunity test level 3 conforming to EN/IEC 61000-4-2

## Packing Units

<b>Unit Type of Package 1</b>	PCE
<b>Number of Units in Package 1</b>	1
<b>Package 1 Weight</b>	3.853 kg
<b>Package 1 Height</b>	21 cm
<b>Package 1 width</b>	33 cm
<b>Package 1 Length</b>	37 cm
<b>Unit Type of Package 2</b>	P12
<b>Number of Units in Package 2</b>	10
<b>Package 2 Weight</b>	96.69 kg
<b>Package 2 Height</b>	80 cm
<b>Package 2 width</b>	120 cm
<b>Package 2 Length</b>	110 cm
<b>Unit Type of Package 3</b>	CAR
<b>Number of Units in Package 3</b>	2
<b>Package 3 Weight</b>	8.769 kg
<b>Package 3 Height</b>	43 cm
<b>Package 3 width</b>	35.5 cm
<b>Package 3 Length</b>	45.5 cm

## Offer Sustainability

<b>Sustainable offer status</b>	Green Premium product
<b>REACH Regulation</b>	<a href="#">REACH Declaration</a>
<b>REACH free of SVHC</b>	Yes
<b>EU RoHS Directive</b>	Pro-active compliance (Product out of EU RoHS legal scope) <a href="#">EU RoHS Declaration</a>
<b>Mercury free</b>	Yes
<b>RoHS exemption information</b>	<a href="#">Yes</a>
<b>China RoHS Regulation</b>	<a href="#">China RoHS declaration</a>

---

<b>Environmental Disclosure</b>	<a href="#">Product Environmental Profile</a>
<b>Circularity Profile</b>	<a href="#">End of Life Information</a>
<b>WEEE</b>	The product must be disposed on European Union markets following specific waste collection and never end up in rubbish bins

---

**Contractual warranty**

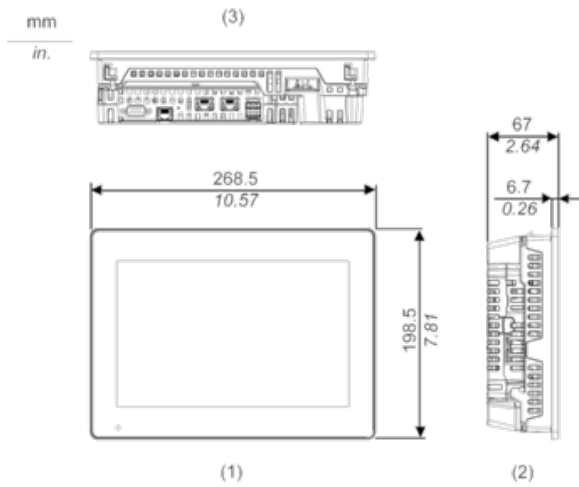
---

<b>Warranty</b>	18 months
-----------------	-----------

---

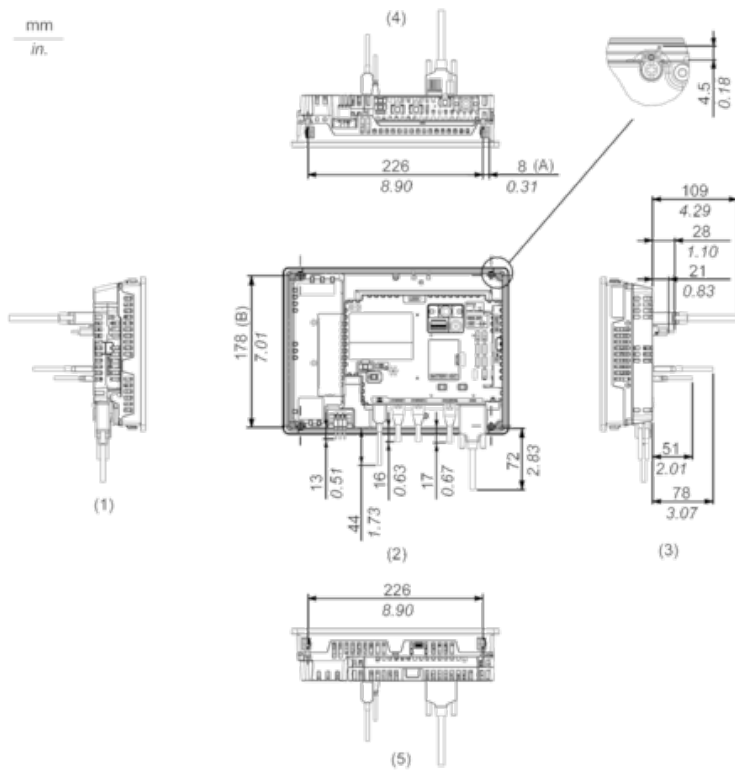
**External Dimensions**

**Display Unit with Box Module**



- 1 Front
- 2 Left
- 3 Bottom

**Installation with Installation Fasteners and Dimensions with Cables**

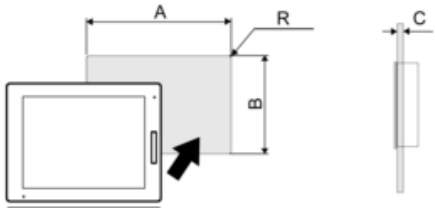


- (A) Rotation area of the fastener
- (B) Pitch of the center of installation fastener screws

- 1 Right
- 2 Front
- 3 Left
- 4 Bottom
- 5 Top

**Mounting**

**Panel Cut Dimensions**



Dimensions in mm

A	B	C	R
255 (+1/-0)	185 (+1/-0)	1.6...5	3 max.

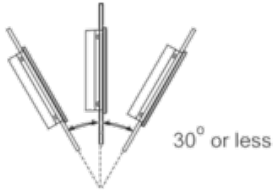
Dimensions in in.

A	B	C	R
10.04 (+0.04/-0)	7.28 (+0.04/-0)	0.06...0.2	0.12 max.

**Installation Requirements**

---

**Mounting Angle**



When installing this product in a slanted position with an incline more than 30°, the ambient temperature must not exceed 40 °C (104 °F). You may need to use forced air cooling (fan, A/C) to ensure the ambient operating temperature is 40 °C or less (104 °F or less).

**Clearance**

---

