

# Product datasheet

Specifications



## Modicon M171 Performance Display Graphic

TM171DGRP

### Main

Range of product	Modicon M171
Product or component type	Display module
Display colour	Monochrome
Supply	External source

### Complementary

Display type	Backlit LCD
Number of key	5
Display resolution	240 x 140 pixels
Colour	Grey
[Us] rated supply voltage	12 V AC 24 V AC 24 V DC
Power consumption in W	0 W 5 W
Marking	CE
Realtime clock	With clock
Local signalling	1 LED (green) 1 LED (yellow) 1 LED (red)
Product compatibility	Logic controller M171 performance
Height	160 mm
Width	90 mm
Depth	27 mm
Net weight	0.197 kg

### Environment

Product certifications	cURus
------------------------	-------

### Packing Units

Unit Type of Package 1	PCE
Number of Units in Package 1	1

Package 1 Weight	321.0 g
Package 1 Height	13 cm
Package 1 width	9 cm
Package 1 Length	18.5 cm
Unit Type of Package 2	S02
Number of Units in Package 2	6
Package 2 Weight	2.206 kg
Package 2 Height	15 cm
Package 2 width	30 cm
Package 2 Length	40 cm

## Offer Sustainability

Sustainable offer status	Green Premium product
REACH Regulation	<a href="#">REACH Declaration</a>
EU RoHS Directive	Pro-active compliance (Product out of EU RoHS legal scope) <a href="#">EU RoHS Declaration</a>
Mercury free	Yes
RoHS exemption information	<a href="#">Yes</a>
China RoHS Regulation	<a href="#">China RoHS declaration</a>
Environmental Disclosure	<a href="#">Product Environmental Profile</a>
Circularity Profile	<a href="#">End of Life Information</a>
WEEE	The product must be disposed on European Union markets following specific waste collection and never end up in rubbish bins

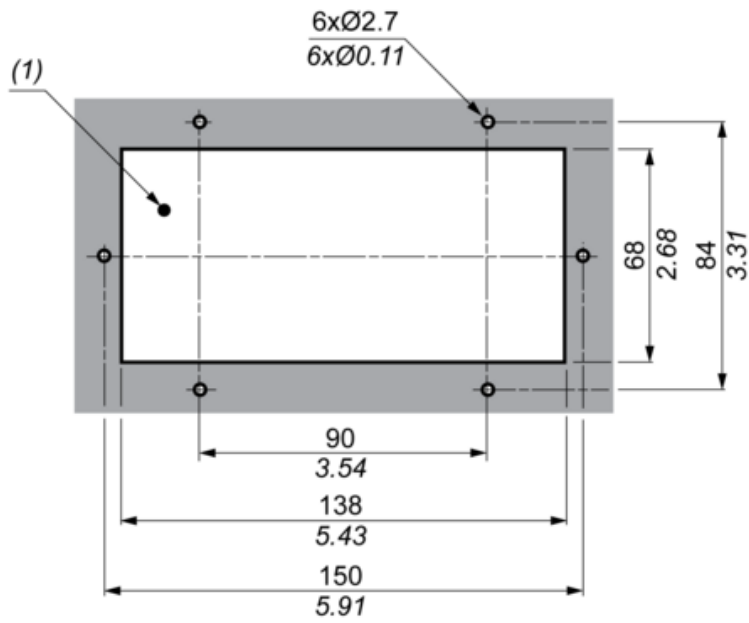
## Contractual warranty

Warranty	18 months
----------	-----------

Mounting

Panel Mounting

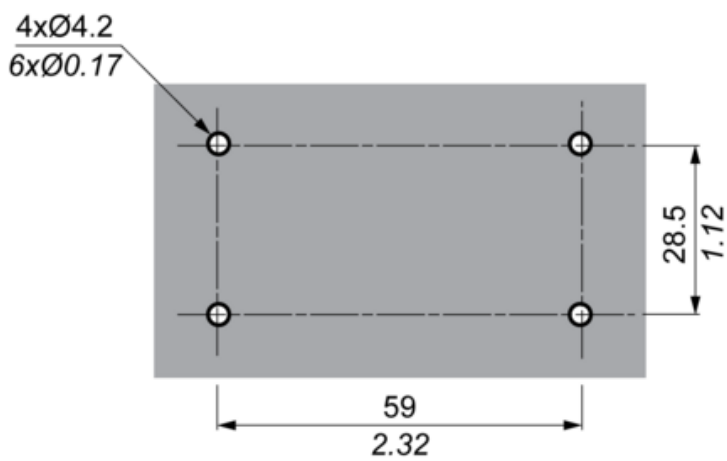
mm  
in.



(1) Panel cut out

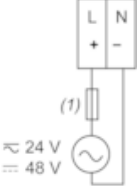
Wall Mounting

mm  
in.



**Power Supply**

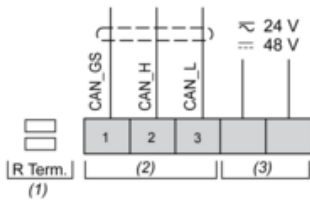
---



(1) Type T 630 mA fuse

CAN Expansion Bus Port

---



- (1) CAN terminal resistance
- (2) CAN
- (3) Power In