



### Newlec Mini Trunking



### Product Description

#### Materials

PVCu materials used in the manufacture of these products are self extinguishing non flame propagating in accordance with BS 4678 Part 4. The extrusion material has been tested by a UKAS accredited laboratory in accordance with the requirements of BS 476 Part 7 and has achieved a Class 1Y. The moulding material has been tested by a UKAS accredited laboratory and conforms with IEC 695-2-11 at a severity of 650<sup>0</sup>C.

#### Key Features

- Easy to assemble and install
- Wide range of trunking profiles
- Unobtrusive and neat
- Durable and impact resistant to Medium Classification BS EN 50085-1 and BS 4678 Part 4
- Speedfix options allow fast installation
- All extrusions manufactured from 90% recycled material

#### Standards and Approvals

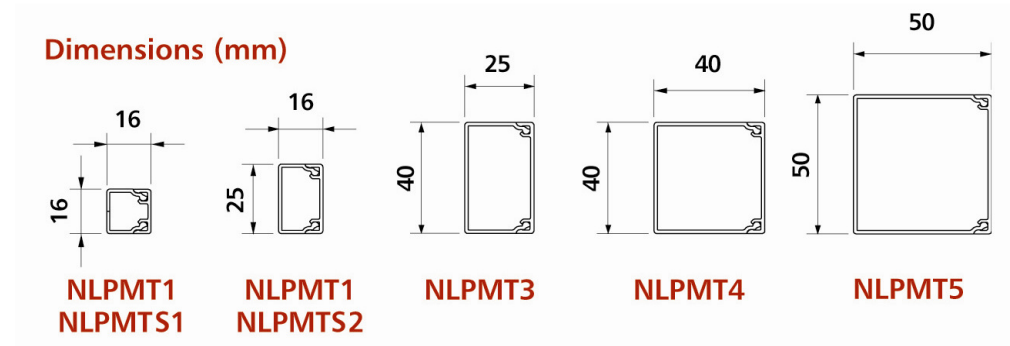
- Mini trunking systems are manufactured in accordance with the requirements of BS EN 50085-1 and BS 4678 Part 4 and achieve medium impact classification.
- BS 4662 boxes for the enclosure of electrical accessories
- BS EN 50085-1 and BS 4678 Part 4 cable trunking made of insulation material
- All systems comply with all relevant requirements of the latest edition of the IEE Wiring Regulations
- Mini trunking are class 1Y for spread of flame when tested in accordance with BS 4676 Part 7

#### Ordering Codes

PRODUCT CODE	DESCRIPTION
NLMTA50	1G 25MM MINI TRUNKING BACK BOX

NLMTA16	25X16MM MINI TRUNKING ADAPTOR
NLMTA51	2G 25MM MINI TRUNKING BACK BOX
NLPMT1	16 mm x 16 mm, 3 m, MINI TRUNKING
NLPMTS1	16 mm x 16 mm, 3 m, MINI TRUNKING, SELF ADHESIVE
NLMTA4	16 mm x 16 mm, 90 DEG EXTERNAL ELBOW
NLMTA3	16 mm x 16 mm, 90 DEG FLAT ELBOW
NLMTA5	16 mm x 16 mm, 90 DEG INTERNAL ELBOW
NLMTA2	16 mm x 16 mm, END CAP
NLMTA1	16 mm x 16 mm, EXTERNAL COUPLER
NLMTA6	16 mm x 16 mm, FLAT TEE
NLPMT2	25 mm x 16 mm, 3 m, MINI TRUNKING
NLPMTS2	25 mm x 16 mm, 3 m, MINI TRUNKING, SELF ADHESIVE
NLMTA13	25 mm x 16 mm, 90 DEG EXTERNAL ELBOW
NLMTA12	25 mm x 16 mm, 90 DEG FLAT ELBOW
NLMTA14	25 mm x 16 mm, 90 DEG INTERNAL ELBOW
NLMTA11	25 mm x 16 mm, END CAP
NLMTA15	25 mm x 16 mm, FLAT TEE
NLMTA10	25 mm x 16 mm, INTERNAL COUPLER
NLPMT3	40 mm x 25 mm, 3 m, MINI TRUNKING
NLMTA23	40 mm x 25 mm, 90 DEG EXTERNAL ELBOW
NLMTA22	40 mm x 25 mm, 90 DEG FLAT ELBOW
NLMTA24	40 mm x 25 mm, 90 DEG INTERNAL ELBOW
NLMTA21	40 mm x 25 mm, END CAP
NLMTA20	40 mm x 25 mm, EXTERNAL COUPLER
NLMTA25	40 mm x 25 mm, FLAT TEE
NLPMT4	40 mm x 40 mm, 3 m, MINI TRUNKING
NLMTA33	40 mm x 40 mm, 90 DEG EXTERNAL ELBOW
NLMTA32	40 mm x 40 mm, 90 DEG FLAT ELBOW
NLMTA34	40 mm x 40 mm, 90 DEG INTERNAL ELBOW
NLMTA31	40 mm x 40 mm, END CAP
NLMTA35	40 mm x 40 mm, FLAT TEE
NLMTA30	40 mm x 40 mm, INTERNAL COUPLER
NLPMT5	50 mm x 50 mm, 3 m, MINI TRUNKING
NLMTA43	50 mm x 50 mm, 90 DEG EXTERNAL ELBOW
NLMTA42	50 mm x 50 mm, 90 DEG FLAT ELBOW
NLMTA44	50 mm x 50 mm, 90 DEG INTERNAL ELBOW
NLMTA41	50 mm x 50 mm, END CAP
NLMTA40	50 mm x 50 mm, EXTERNAL COUPLER
NLMTA45	50 mm x 50 mm, FLAT TEE
NLMTA45	50 mm x 50 mm, FLAT TEE

## Dimensions



## Cable Capacities

Type of Conductor	Size	Cable Factor	NLPMT1 NLPMTS1	NLPMT2 NLPMTS2	NLPMT3	NLPMT4	NLPMT5					
			<b>Full Term CSA 100% Fill (mm<sup>2</sup>)</b>									
		154	276	234	387	948						
			<b>Term at 45% Fill (mm<sup>2</sup>)</b>									
		69	124	105	174	426						
<b>Power Cables</b>			<b>Number of Cables at 45% Fill</b>									
PVC	1.5mm <sup>2</sup>	8.6	8	14	41	68	106					
Stranded	2.5mm <sup>2</sup>	12.6	5	9	28	46	72					
	4mm <sup>2</sup>	4	7	6	10	25						
	6mm <sup>2</sup>	3	5	4	8	20						
<b>Data Cables</b>			<b>Number of Cables at 45% Fill (a) and Full Capacity (b)</b>									
			<b>a</b>	<b>b</b>	<b>a</b>	<b>b</b>	<b>a</b>	<b>b</b>	<b>a</b>	<b>b</b>	<b>a</b>	<b>b</b>
Cat5E UTP	5.5mm dia.	30.2	2	5	4	9	11	26	19	43	30	67
Cat5E STP	6.0mm dia.	36.0	1	4	3	7	9	22	16	36	25	56
Cat6 UTP	6.5mm dia.	42.2	1	3	2	6	8	18	13	31	21	48
Cat6 STP	7.0mm dia.	49.0	1	3	2	5	7	16	12	26	18	41