

Novelda CCT LED Sign Light

Floods and Spotlights



Product Information

The 3 CCT Novelda LED Sign lights are a 3 in one solution for uses in exterior applications where the option to be able to adjust the colour to suit the application is required. These are ideal for Pubs, restaurants and sign lighting applications.

This Range is available in two different Finishes Black and Brass.

Complete with a 2 year warranty

Product Features

- 2 year warranty
- Class I
- IP44
- High CRI up to Ra87
- Instant on
- Life Expectancy up to 30,000hrs
- 3 switchable Colour temperatures 3000K/4000K/7000K
- Epistar LED Chip Technology
- Supplied complete with driver
- Adjustable head via Allen key
- 88° beam angle
- Besa Box Mountable

Product Specification

Product Code	Product Description	Wattage (W)	CCT (K)	Lumens (lm)	CRI (Ra)	Energy Efficiency Class	Protection Class
KSR6101BR	Novelda 20w CCT LED Sign Light Brass	20	3000	1520	82	A+	I
			4000	1715	87		
			7000	1519	84		
KSR6101BLK	Novelda 20w CCT LED Sign Light Black	20	3000	1520	82	A+	I
			4000	1715	87		
			7000	1519	84		

Nominal voltage	220~240VAC
Operating frequency	50-60Hz
Circuit Wattage	17.1w including Driver (4000K Output)
Circuit Current	0.08A
Driver Current Rating	250mA
PFC	0.91
In Rush Current	0.891Amps Max Peak
Start Time	< 0.5 Sec
Ambient temperature range	-15°c to +40°c
IP rating	44

Construction

Body: Pressed Steel
Lens: Polycarbonate

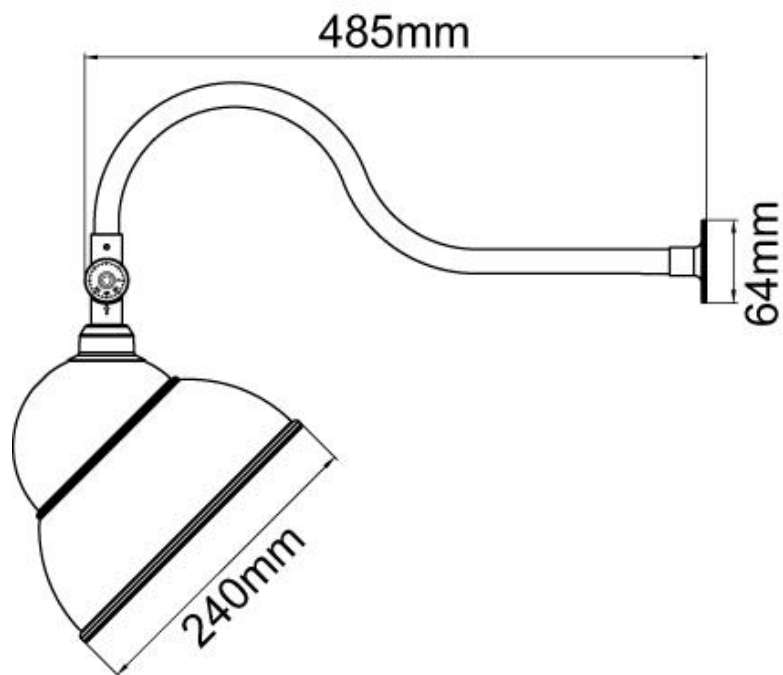
Standards

BSEN60598-1:2015 Luminaires – Part 1: General Requirements and tests

In Conformity with

LVD Low voltage directive 2014/35/EU
EMC Electromagnetic compatibility directive 2014/30/EU
ERP Energy related products directive 2009/125/EC
RoHS Restriction of hazardous substances 2011/65/EU

Product Dimensions



KSR Lighting is constantly developing and improving its products. For this reason, all product descriptions in this data sheet are intended as a general guide, and KSR may change specifications from time to time in the interest of product development, without prior notification or public announcement. All descriptions in this data sheet present only general particulars of the goods to which they refer and shall not form part of any contract. Data in this guide has been obtained in controlled experimental conditions. However, KSR Lighting cannot accept any liability arising from the reliance on such data to the extent permitted.