
 TECHNICAL DATA SHEET

ABB cable glands – NCG series

Nylon, general purpose cable glands



Nylon cable glands for general purpose use, OEM and industrial/commercial applications.

Certifications / Standards:

(Refer to tables for certifications details)



Features & Benefits:

- Low profile cable glands
- Wide cable clamping range
- Corrosion resistant

Applications:

- General purpose
- Panel building
- Light fixture and housings
- Machine building
- Suitable for cable types:
 - Non-armoured
 - Portable

Material:

- Halogen free nylon (PA6) construction
- Available in Black, Grey and Light Grey
- Chloroprene seals

Environmental ratings:
Working Temperature:

- Normal use: -20 to +100°C (-4 to +212°F)
- Short term: -30 to +150°C (-22 to +302°F)

Ingress protection:

To ensure ingress protection, use suitable gasket and lock nut when required.

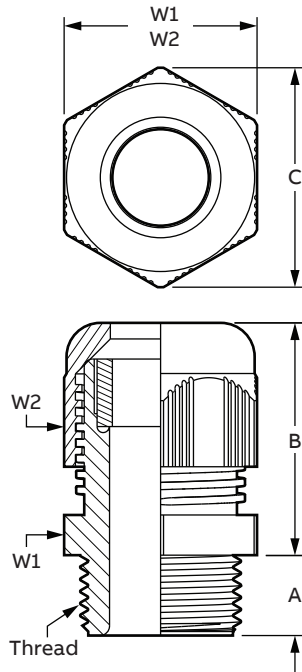
- IP66
- IP68 (5 bar 30 mins)
- NEMA 4

Chemical resistance guide:

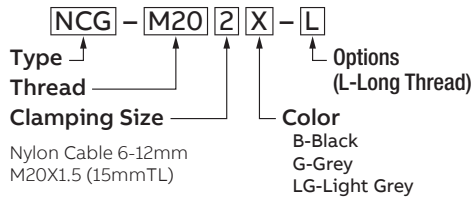
- See publication TDS000081

Conforms to:

- UL514B / CSA C22.2 No 18.3 (see table for details)
- EN 62444
- RoHS (Restriction of Hazardous Substances Directive) 2011/65/EU Incorporating 2015/863 amendment to Annex II
- WEEE (Waste Electrical & Electronic Equipment Directive) 2002/96/EC
- LVD (Low Voltage Directive) 2014/35/EU



Part number information:



Product selection

Part no: Certifications	Thread (metric)	Cable range		Nominal dimensions				
		Min	Max	A	B	C	W1	W2
NCG-M322x-L	M32x1.5	15.0	21.0	15.0	42.5	41.0	36.0	36.0
		(0.591)	(0.827)	(0.591)	(1.673)	(1.614)	(1.417)	(1.417)
NCG-M323x (cULus)	M32x1.5	18.0	25.0	15.0	42.0	47.3	42.0	42.0
		(0.709)	(0.984)	(0.591)	(1.654)	(1.862)	(1.654)	(1.654)
NCG-M401x (cULus)	M40x1.5	16.0	23.0	10.0	47.5	52.4	46.0	46.0
		(0.63)	(0.906)	(0.394)	(1.87)	(2.063)	(1.811)	(1.811)
NCG-M401x-L (cULus)	M40x1.5	16.0	23.0	18.0	47.5	52.4	46.0	46.0
		(0.63)	(0.906)	(0.709)	(1.87)	(2.063)	(1.811)	(1.811)
NCG-M402x (cULus)	M40x1.5	19.0	28.0	10.0	47.5	52.4	46.0	46.0
		(0.748)	(1.102)	(0.394)	(1.87)	(2.063)	(1.811)	(1.811)
NCG-M402x-L (cULus)	M40x1.5	19.0	28.0	18.0	47.5	52.4	46.0	46.0
		(0.748)	(1.102)	(0.709)	(1.87)	(2.063)	(1.811)	(1.811)
NCG-M403x (cULus)	M40x1.5	22.0	32.0	18.0	52.0	60.0	53.0	53.0
		(0.866)	(1.26)	(0.709)	(2.047)	(2.362)	(2.087)	(2.087)
NCG-M501x (cULus)	M50x1.5	25.0	31.0	18.0	53.5	67.8	60.0	60.0
		(0.984)	(1.22)	(0.709)	(2.106)	(2.669)	(2.362)	(2.362)
NCG-M502x (cULus)	M50x1.5	30.0	38.0	18.0	53.5	67.8	60.0	60.0
		(1.181)	(1.496)	(0.709)	(2.106)	(2.669)	(2.362)	(2.362)
NCG-M631x (cULus)	M63x1.5	29.0	35.0	18.0	53.0	72.9	65.0	65.0
		(1.142)	(1.378)	(0.709)	(2.087)	(2.87)	(2.559)	(2.559)
NCG-M632x (cULus)	M63x1.5	34.0	44.0	18.0	53.0	72.9	65.0	65.0
		(1.339)	(1.732)	(0.709)	(2.087)	(2.87)	(2.559)	(2.559)
NCG-M751x (cULus)	M63x1.5	48.0	55.0	25.0	55.0	89.0	75.0	80.0
		(1.89)	(2.165)	(0.984)	(2.165)	(3.504)	(2.953)	(3.15)

Product selection

Part no: Certifications	Thread (NPT)	Cable range		Nominal dimensions				
		Min	Max	A	B	C	W1	W2
NCG-0381x (cURus)	3/8"	3.0	7.0	15.0	30.0	25.0	22.0	22.0
		(0.118)	(0.276)	(0.591)	(1.181)	(0.984)	(0.866)	(0.866)
NCG-0382x (cURus)	3/8"	5.0	10.0	15.0	30.0	25.0	22.0	22.0
		(0.197)	(0.394)	(0.591)	(1.181)	(0.984)	(0.866)	(0.866)
NCG-0501x (cULus)	1/2"	5.0	9.0	15.0	30.0	27.0	24.0	24.0
		(0.197)	(0.354)	(0.591)	(1.181)	(1.063)	(0.945)	(0.945)
NCG-0502x (cULus)	1/2"	6.0	12.0	15.0	30.0	27.0	24.0	24.0
		(0.236)	(0.472)	(0.591)	(1.181)	(1.063)	(0.945)	(0.945)
NCG-0503x (cULus)	1/2"	10.0	14.0	15.0	33.5	30.9	27.0	27.0
		(0.394)	(0.551)	(0.591)	(1.319)	(1.217)	(1.063)	(1.063)
NCG-0504x	1/2"	9.0	16.0	15.0	38.0	38.0	33.0	33.0
		(0.354)	(0.63)	(0.591)	(1.496)	(1.496)	(1.299)	(1.299)
NCG-0505x	1/2"	13.0	18.0	15.0	38.0	38.0	33.0	33.0
		(0.512)	(0.709)	(0.591)	(1.496)	(1.496)	(1.299)	(1.299)
NCG-0751x (cULus)	3/4"	9.0	16.0	15.0	38.0	38.0	33.0	33.0
		(0.354)	(0.63)	(0.591)	(1.496)	(1.496)	(1.299)	(1.299)
NCG-0752x (cULus)	3/4"	13.0	18.0	15.0	38.0	38.0	33.0	33.0
		(0.512)	(0.709)	(0.591)	(1.496)	(1.496)	(1.299)	(1.299)
NCG-1001x (cULus)	1"	12.0	20.0	18.0	42.0	47.3	42.0	42.0
		(0.472)	(0.787)	(0.709)	(1.654)	(1.862)	(1.654)	(1.654)
NCG-1002x (cULus)	1"	18.0	25.0	18.0	42.0	47.3	42.0	42.0
		(0.709)	(0.984)	(0.709)	(1.654)	(1.862)	(1.654)	(1.654)

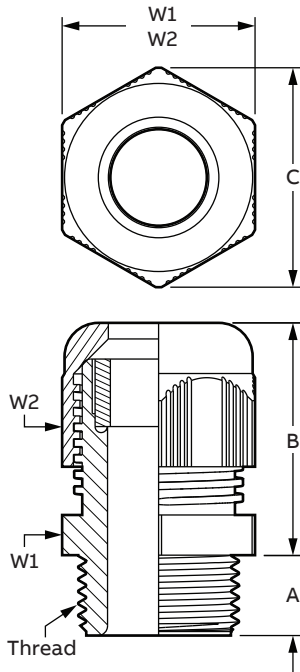
Replace the "x" of the catalog number by one of the following:

B = black (RAL 9005), G = grey (RAL 7001), LG = light grey (RAL 7035)

Other colors available on request.

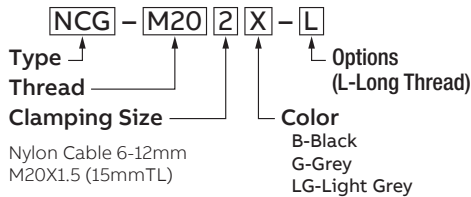
Bold numbers are metric, parenthesis numbers are inches.

Note: Product must be installed in accordance with applicable national and local electrical codes.



Product selection								
Part no: Certifications	Thread (PG)	Cable range			Nominal dimensions			
		Min	Max	A	B	C	W1	W2
NCG-PG71x (cURus)	PG07	3.0 (0.118)	6.5 (0.256)	8.0 (0.315)	23.0 (0.906)	16.9 (0.665)	15.0 (0.591)	15.0 (0.591)
NCG-PG91x (cURus)	PG09	4.0 (0.157)	8.0 (0.315)	8.0 (0.315)	26.5 (1.043)	21.9 (0.862)	19.0 (0.748)	19.0 (0.748)
NCG-PG111x	PG11	3.0 (0.118)	7.0 (0.276)	8.0 (0.315)	29.0 (1.142)	25.0 (0.984)	22.0 (0.866)	22.0 (0.866)
NCG-PG112x (cURus)	PG11	5.0 (0.197)	10.0 (0.394)	8.0 (0.315)	29.0 (1.142)	25.0 (0.984)	22.0 (0.866)	22.0 (0.866)
NCG-PG131x (cULus)	PG13.5	6.0 (0.236)	12.0 (0.472)	10.0 (0.394)	30.0 (1.181)	27.0 (1.063)	24.0 (0.945)	24.0 (0.945)
NCG-PG161x (cULus)	PG16	10.0 (0.394)	14.0 (0.551)	10.0 (0.394)	33.5 (1.319)	30.9 (1.217)	27.0 (1.063)	27.0 (1.063)
NCG-PG211x (cULus)	PG21	13.0 (0.512)	18.0 (0.709)	11.0 (0.433)	37.0 (1.457)	38.0 (1.496)	33.0 (1.299)	33.0 (1.299)
NCG-PG291x (cULus)	PG29	18.0 (0.709)	25.0 (0.984)	11.0 (0.433)	42.0 (1.654)	47.3 (1.862)	42.0 (1.654)	42.0 (1.654)
NCG-PG361x (cULus)	PG36	22.0 (0.866)	32.0 (1.26)	13.0 (0.512)	52.0 (2.047)	60.0 (2.362)	53.0 (2.087)	53.0 (2.087)
NCG-PG421x (cULus)	PG42	30.0 (1.181)	38.0 (1.496)	13.0 (0.512)	53.5 (2.106)	67.8 (2.669)	60.0 (2.362)	60.0 (2.362)
NCG-PG481x (cULus)	PG48	34.0 (1.339)	44.0 (1.732)	14.0 (0.551)	53.0 (2.087)	72.9 (2.87)	65.0 (2.559)	65.0 (2.559)

Part number information:



Product selection								
Part no:	Thread (GAS/PF)	Cable range			Nominal dimensions			
		Min	Max	A	B	C	W1	W2
NCG-G0251x	G025	3.0 (0.118)	6.5 (0.256)	10.0 (0.394)	23.0 (0.906)	16.9 (0.665)	15.0 (0.591)	15.0 (0.591)
NCG-G0381x	G038	5.0 (0.197)	10.0 (0.394)	11.0 (0.433)	30.0 (1.181)	25.0 (0.984)	22.0 (0.866)	22.0 (0.866)
NCG-G0501x	G050	6.0 (0.236)	12.0 (0.472)	10.0 (0.394)	30.0 (1.181)	27.0 (1.063)	24.0 (0.945)	24.0 (0.945)
NCG-G0501x	G050	10.0 (0.394)	14.0 (0.551)	11.0 (0.433)	33.5 (1.319)	30.9 (1.217)	27.0 (1.063)	27.0 (1.063)
NCG-G0751x	G075	13.0 (0.512)	18.0 (0.709)	12.0 (0.472)	38.0 (1.496)	38.0 (1.496)	33.0 (1.299)	33.0 (1.299)
NCG-G1001x	G100	18.0 (0.709)	25.0 (0.984)	13.0 (0.512)	42.0 (1.654)	47.3 (1.862)	42.0 (1.654)	42.0 (1.654)

Replace the "x" of the catalog number by one of the following:
 B = black (RAL 9005), G = grey (RAL 7001), LG = light grey (RAL 7035)
 Other colors available on request.
 Bold numbers are metric, parenthesis numbers are inches.
 Note: Product must be installed in accordance with applicable national and local electrical codes.

