

Masterseal Plus™ Technical

13 Amp Socket Outlets

Standards and approvals

Socket outlets comply with
BS 1363 Part 2:1995.

All products allow compliance with
BS 7671:2008 when correctly installed.

TECHNICAL SPECIFICATION

ELECTRICAL

VOLTAGE RATING
250V a.c.

CURRENT RATING
13A

TERMINAL CAPACITY
Live, neutral & earth
3 x 2.5mm²
3 x 4mm²
2 x 6mm² (standard)

PHYSICAL

AMBIENT OPERATING TEMPERATURE
0°C to +40°C

IP RATING
IP66

MAX. INSTALLATION ALTITUDE
2000 metres



Description

A range of socket outlets specifically designed for use outdoors or in areas heavily exposed to dust and/or splashing water. Constructed from extremely robust polycarbonate, the range is sealed to IP66 against dust, water and is impact resistant and will completely protect virtually any 13 amp plug* including moulded plugs, allowing safe connection to any appliance.

*When in doubt, please use an MK 13A plug or Duraplug.

FEATURES

- IP66 protected to BS EN 60529:1992
- Ideal for gardens, workshops, industry, commercial, public areas, farm buildings, ponds, pools etc
- Easy to install: fixed gasket, captive backed out terminal screws, clearly marked top access angled terminals, push fit knockouts and conduit entries, rear drill holes
- Patented gel seal provides durable water and dust tight seal for improved protection
- Sealed when in use with virtually any standard 13 Amp plug, including those with moulded on plug tops
- Improved catch eases opening and closing during use
- Manufactured from polycarbonate for impact protection
- 3 pin operated safety shutter on socket outlets
- 3mm minimum switch contact gap
- Additional electrical safety from neutral 'make first, break last' feature
- Moulded 'on' indicator flash on switches will not rub off
- Printed terminal markings on grey rear mouldings for clearer identification
- Double pole switching
- Switch contacts with silver contacts on both surface for good continuity
- Products are available in grey, black and white

Boxes

Rear entry back boxes are supplied for surface mounted situations or flush mounting when used with Flush Mounting Bezels (K56502, 1 gang / K56503, 2 gang). These boxes must also be used if cable or conduit enters the enclosure from the rear.

IP66 Protection

Each digit in the IP (Ingress Protection) rating denotes resistance to dust and water.

The Masterseal Plus™ IP66 rating breakdown is as follows:

IP COMPARISON		
IP56	SOLID PROTECTION	LIQUID PROTECTION
	Dust protected. Ingress of dust is not entirely protected, but it must not enter in sufficient quantity to interfere with the satisfactory operation of the equipment. Complete protection against contact	Powerful jets of water against the enclosure from any direction shall have no harmful effects
IP66	SOLID PROTECTION	LIQUID PROTECTION
	Dust tight. No ingress of dust, complete protection against contact	Powerful jets of water against the enclosure from any direction shall have no harmful effects

For a full range of corresponding products,
see pages 242-249 in the product selector.



Technical Hotline
+44 (0)1268 563720

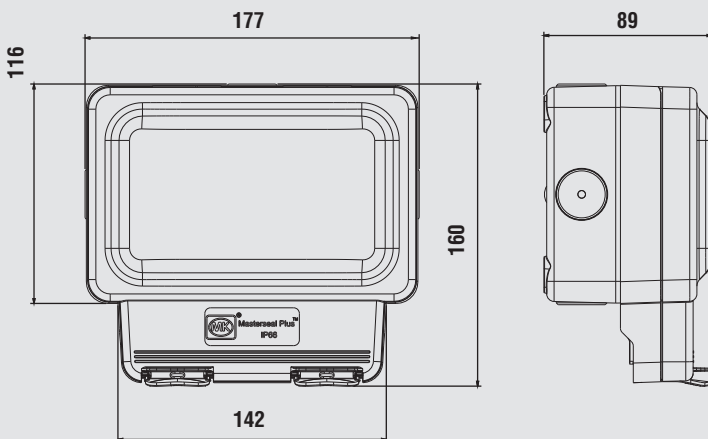
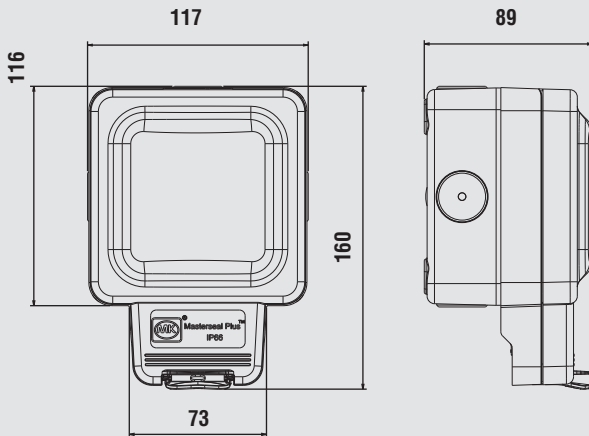
Masterseal Plus™ Technical

WIRING DEVICES
INGRESS PROTECTED
IP66

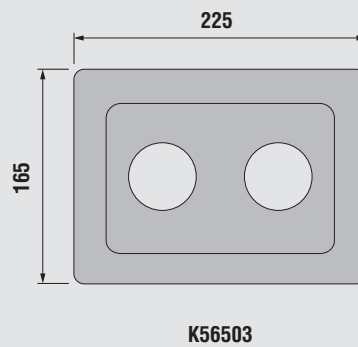
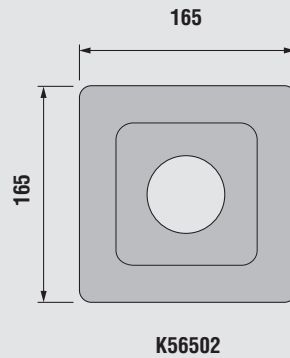
13 Amp Socket Outlets

Dimensions (mm)

1 gang / 2 gang with fixing dimensions



Flush Mounting Bezels



Flush Mounting Bezel Cut-outs

