

## DATASHEET

### BELFRY

Belfry 70W LED Street Light Opt 2 Lens 60-34 Fix 740

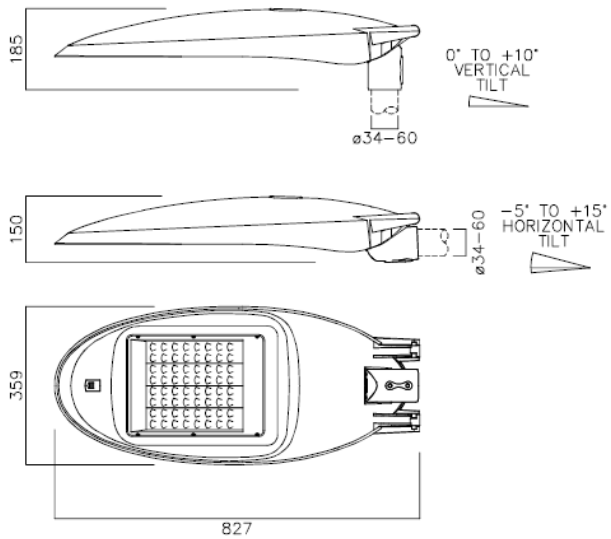
IP66 LED Street Lights  
 Die Cast Aluminium Body Construction  
 Tool Free Access & Ease Of Maintenance



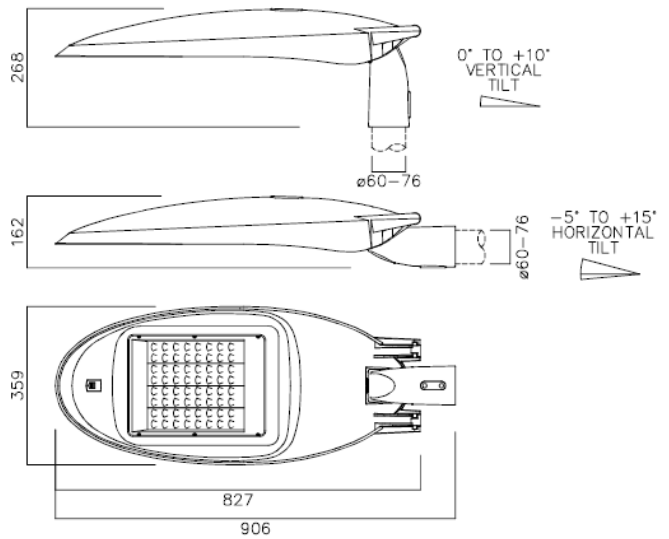
GENERAL INFORMATION	
Product Code	NBF70/OP2/740
Product Range	Street Lighting
Product Category	Street Lighting
IP Rating	66
IK Rating	IK09
Warranty	7 Years Unlimited
DIMENSION/WEIGHT	
Dimensions Circular (DIA x H) (mm)	DIA=N/A, H=N/A
Dimensions Square/Rectangular (L x W x H) (mm)	L=827, W=359, H=185
Cut-out Size (mm)	N/A
Product Weight (Kg)	9.62
CONSTRUCTION	
Body Material	Die Cast Aluminium
Body Colour	Grey
Optical Material	N/A
Optical Finish	N/A
Termination	3 Pole Terminal Block
Driver - Integral or Remote	Integral
PACKAGING	
Carton Dimensions (mm)	N/A
Quantity per Outer Carton	N/A
Total Weight incl. Carton (Kg)	N/A

LUMINAIRE PERFORMANCE	
Energy Rating	N/A
Luminaire Lumens (lm)	10040
Power Consumption (W)	70
LED Lumens (lm/W)	175
Efficacy (l.lm/c.W)	132
Operating Temp. (Min/Max)	-20°C to 25°C
LIGHT SOURCE	
Type	LED
Correlated Colour Temp.	4000
Correlated Rendering Index (CRI)	>70
Lumen Depreciation	L80 100000
SDCM	<3
ELECTRICAL INPUT	
VOLTAGE (V)	220-240V AC
Operating Frequency	50
In Rush	43A @ 260us
Drivers per MCB*	B10=6 B16=10 C10=11 C16=17
Class	Class 1
Power Factor	>0.95
Cable Entry	Post
ELECTRICAL OUTPUT	
Forward Current (mA)	-
Forward Voltage (Vf)	N/A
EMERGENCY DATA	
Mode of Operation	N/A
Battery Duration	N/A
Battery Type	N/A
Battery Specification	N/A
Ballast Lumen Factor (BLF)	N/A
DIMMING	
DALI	N/A
OTHER	N/A
Switch Dim	N/A
Corridor Function	N/A
SENSORS	
Microwave	N/A
PIR	N/A
STANDARDS/APPROVALS	
CE Marked	Yes
Certificate of Conformity	Yes
Accreditations	N/A
BARCODE	
EAN NUMBER	5055943032897

\* GUIDE ONLY



34-60MM FIXING (NO SUFFIX)



60-76MM FIXING (SUFFIX .../76)