

## DATASHEET

### PRESTON

Preston 21W LED IP54 White Bezel 830-840

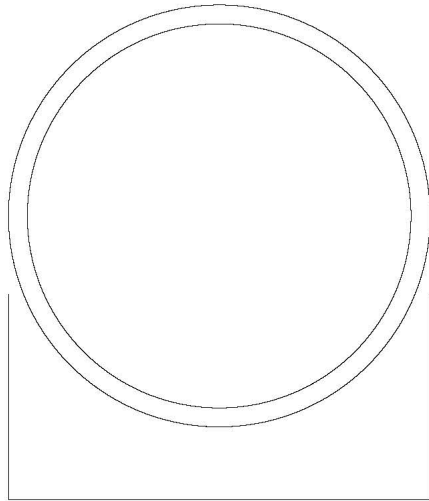
IP54 CCT Selectable Halo Effect LED Bulkhead  
 Polycarbonate Base, Bezel & Diffuser  
 For Commercial Indoor Areas



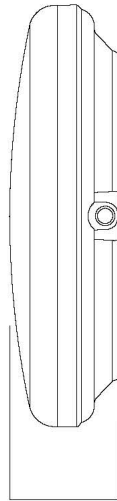
GENERAL INFORMATION	
Product Code	NPE21/WH/MW/M3/830-840
Product Range	Amenity
Product Category	Amenity
IP Rating	54
IK Rating	N/A
Warranty	7 Years Unlimited
DIMENSION/WEIGHT	
Dimensions Circular (DIA x H) (mm)	DIA=Ø360, H=110
Dimensions Square/Rectangular (L x W x H) (mm)	L=0, W=0, H=0
Cut-out Size (mm)	0
Product Weight (Kg)	1.7
CONSTRUCTION	
Body Material	PC
Body Colour	White
Optical Material	N/A
Optical Finish	N/A
Termination	5x2x2.5mm sq. Push In Terminal
Driver - Integal or Remote	Integral
PACKAGING	
Carton Dimensions (mm)	N/A
Quantity per Outer Carton	N/A
Total Weight incl. Carton (Kg)	N/A

LUMINAIRE PERFORMANCE	
Energy Rating	N/A
Luminaire Lumens (lm)	1852 / 2083
Power Consumption (W)	18.9
LED Lumens (lm/W)	160
Efficacy (l.lm/c.W)	98 / 110
Operating Temp. (Min/Max)	0°C 25°C
LIGHT SOURCE	
Type	LED
Correlated Colour Temp.	3000 / 4000
Correlated Rendering Index (CRI)	>80
Lumen Depreciation	L80 100000
SDCM	<3
ELECTRICAL INPUT	
VOLTAGE (V)	220-240V AC
Operating Frequency	50
In Rush	20A @ 50us
Drivers per MCB*	B10=22 B16=35
Class	Class 1
Power Factor	>0.95
Cable Entry	Side / Back
ELECTRICAL OUTPUT	
Forward Current (mA)	-
Forward Voltage (Vf)	N/A
EMERGENCY DATA	
Mode of Operation	N/A
Battery Duration	N/A
Battery Type	N/A
Battery Specification	N/A
Ballast Lumen Factor (BLF)	0.1060 / 0.1058
DIMMING	
DALI	N/A
OTHER	N/A
Switch Dim	N/A
Corridor Function	N/A
SENSORS	
Microwave	Yes
PIR	N/A
STANDARDS/APPROVALS	
CE Marked	Yes
Certificate of Conformity	Yes
Accreditations	N/A
BARCODE	
EAN NUMBER	5055943059757

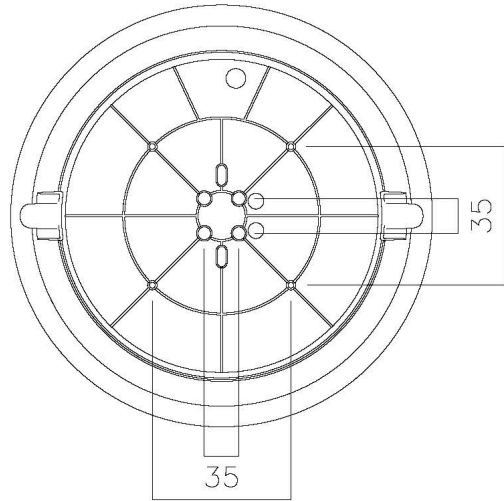
\* GUIDE ONLY



21W =  $\varnothing$ 360  
32W =  $\varnothing$ 430



110



21W/32W = 141

21W/32W = 141

