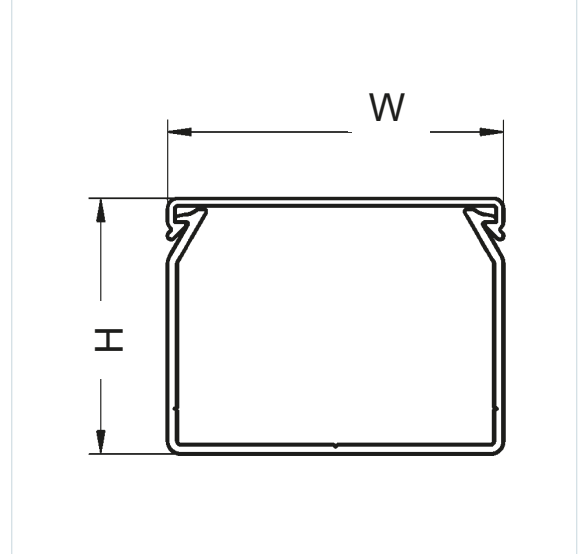


### Betaduct LFH Noryl Closed Slot Cable Trunking



#### Specification

<b>Material</b>	Noryl NH6010B Resin
<b>Colour</b>	Black RAL9004
<b>Operating Temp</b>	-25°C to +120°C
<b>Volume Resistivity</b>	7.6E+17 Ohm.cm
<b>Dielectric Strength</b>	34 kV/mm
<b>Flame Resistance</b>	UL94 V0
<b>Yield Stress</b>	64 MPa
<b>LOI</b>	33%
<b>Toxicity Rating</b>	NFX 70-100 / ISO 5659-2
<b>M1 Flame Rating</b>	NF P 92501
<b>Glow Wire Flammability</b>	+960°C EN 60695-2-11
<b>Lateral Flame Spread</b>	20.0 kW/m <sup>2</sup>
<b>Smoke Density</b>	ASTM E662
<b>London Underground Design</b>	Product Registration No. 1107 EN50085-1 & EN50085-2-3

#### Key Features

- Lightweight and self-extinguishing
- LSOH
- Excellent rigidity and performance characteristics
- Easy installation
- Base holes to DIN 43659
- Break points on fingers
- Secure clip on lid
- Supplied in 2m lengths

#### Spare lids available



Part Number	Nominal External (mm)		Lengths Per Pack	Base Punching	Quantity Per Pack (m)
	Height	Width			
23451000N	37.5	25	12	1 Row	24
23452000N	50	25	12	1 Row	24
23453000N	75	25	8	1 Row	16
23454000N	50	50	8	1 Row	16
23455000N	75	50	8	1 Row	16
23456000N	75	75	8	3 Row	16

# Betaduct LFH Noryl Closed Slot Cable Trunking

### You might also need...

**EDC1**



**Betaduct Trunking Cutting Tool**

- Blade W: 21.5mm
- Cutting D: 50mm

**BETADUCT-CUTTER**



**Betaduct Trunking Cutting Tool**

- Cuts up to 125mm

**EDC 2**



**Betaduct Trunking Cutting Tool**

- Cuts up to 110mm

**1857**



**Betaduct Trunking Cutting Tool**

- Ideal for cutting slots in trunking

**RT4 or RT6**



**Betaduct Trunking Rivet Tools**

- 4.5mm (RT4)
- 6.5mm (RT6)

**DUCTAFIX R4 or R6**



**Betaduct Trunking Rivets**

- 4mm (R4)
- 6mm (R6)

**10440000**



**Betaduct Insulating Washers**

- Black
- Pack of 50

**BC1**



**HF Bridging Clip For Narrow Trunking**

- 22.5mm x 105mm
- Pack of 50

**BC2**

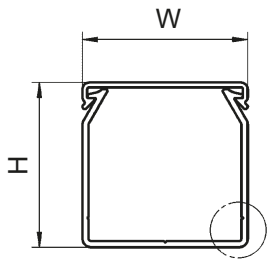


**HF Bridging Clip For Narrow Trunking**

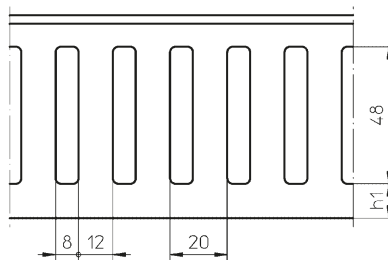
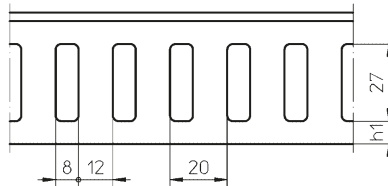
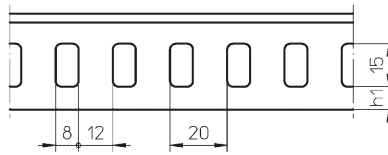
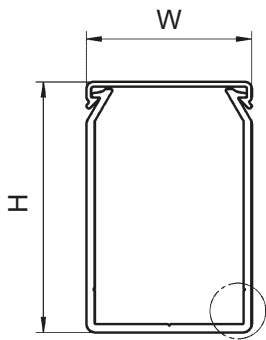
- 24mm x 108mm
- Pack of 50

### Betaduct LFH Noryl Closed Slot Cable Trunking

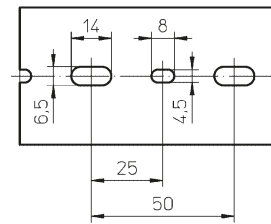
H = 25 mm  
 H = 37.5 mm  
 H = 50 mm



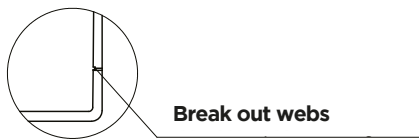
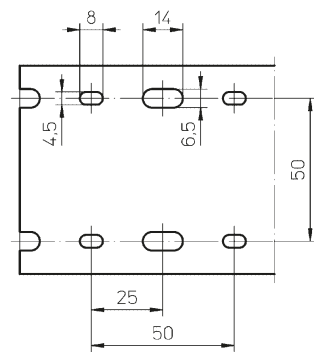
H = 75 mm



W = 25, 37.5, and 50 mm



W = 75, 100 and 125mm



Base punching to DIN 43659

H (mm)	25	37.5	50	75
h1 (mm)	6	8	8	12

### Betaduct Trunking Capacity Chart

Trunking Nominal External Width x Height (mm)	Internal Cross Sectional Area (mm <sup>2</sup> )	At 50% Packing Density (mm <sup>2</sup> )	Cable Cross Sectional Area (mm <sup>2</sup> ) Tri-Rated Cable BS6231															
			Cable Diameter (mm)															
			0.50	0.75	1.00	1.50	2.50	4.00	6.00	10.00	16.00	25.00	35.00	50.00	70.00	95.00		
25 x 37.5	608	304	55	48	43	35	28	19	16	9	4	3	2	1	1	1	1	
25 x 50	836	418	76	66	59	48	38	27	22	12	6	4	3	2	1	1	1	
25 x 75	1311	655.5	120	104	92	76	60	43	34	19	10	7	5	3	3	2	2	
37.5 x 37.5	1024	512	94	81	72	59	47	33	27	15	7	5	4	2	2	1	1	
37.5 x 50	1408	704	129	111	99	82	65	46	37	21	10	8	6	4	3	2	2	
37.5 x 75	2208	1104	203	175	156	129	102	72	58	33	17	12	9	6	5	3	3	
50 x 37.5	1408	704	129	111	99	82	65	46	37	21	10	8	6	4	3	2	2	
50 x 50	1936	968	178	153	136	113	90	63	51	29	15	11	8	5	4	3	3	
50 x 75	3036	1518	279	241	214	177	141	99	80	45	23	17	13	8	7	5	5	
50 x 100	4136	2068	380	328	292	241	192	136	109	62	32	23	18	12	9	7	7	
75 x 37.5	2208	1104	203	175	156	129	102	72	58	33	17	12	9	6	5	3	3	
75 x 50	3036	1518	279	241	214	177	141	99	80	45	23	17	13	8	7	5	5	
75 x 75	4761	2380.5	438	378	336	278	221	156	126	71	37	27	21	13	11	8	8	
75 x 100	6486	3243	596	515	458	379	301	213	171	97	50	37	29	18	15	11	11	
100 x 50	4136	2068	380	328	292	241	192	136	109	62	32	23	18	12	9	7	7	
100 x 75	6486	3243	596	515	458	379	301	213	171	97	50	37	29	18	15	11	11	
100 x 100	8836	4418	813	702	625	516	410	290	234	133	68	50	39	25	20	16	16	
150 x 100	13536	6768	1245	1075	957	791	629	445	358	203	105	77	60	39	31	24	24	
125 x 75	8142	4071	749	647	575	475	378	267	215	122	63	46	36	23	18	14	14	

\*UL application fill rates may vary, more information is available on request.