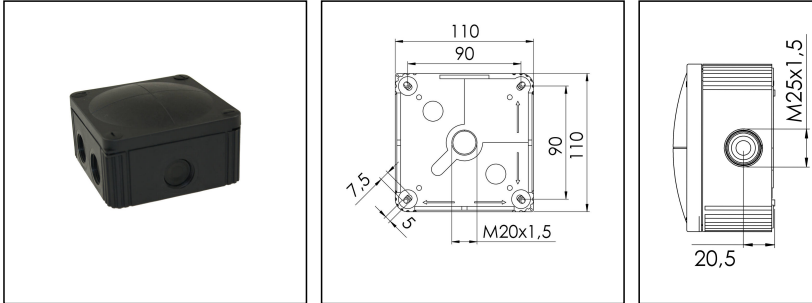



## COMBI 607/5/2xKRM25/20 BK

Junction box, polypropylene



Products may differ in size, colour and appearance to those shown. If you require further information or customisation, please contact us directly.



<b>Material</b>	Polypropylene
<b>Material sealing gasket</b>	TPE
<b>Temp. range min</b>	-30 °C
<b>Temp. range max</b>	100 °C
<b>Temperatures during install.</b>	-5 °C - 60 °C
<b>Protection class</b>	IP66 / IP67
<b>Glow wire test</b>	750 °C
<b>Voltage</b>	690 V
<b>Rated current / A (Terminal)</b>	41 A
<b>Rated cross section</b>	5 x 6mm <sup>2</sup>
<b>Terminals/poles</b>	6 mm <sup>2</sup>
<b>Fixing</b>	4 internal openings
<b>Ø cable diameter min</b>	5,2 mm
<b>Ø cable diameter max</b>	17 mm
<b>External dimensions LxWxH</b>	110 x 110 x 66 mm
<b>Using for cable gland</b>	
<b>Product Color</b>	RAL 9005
<b>WISKA-Order no.</b>	10061779
<b>Type</b>	COMBI 607/5/2xKRM25/20 BK
<b>Packing unit</b>	3
<b>ETIM-Classification</b>	EC002600

Remarks:

IP66: using the membrane entry

Ø cable: 5,2 - 17 mm

Your Contact:

**WISKA UK Ltd.**

Unit 7, Hurling Way · St. Columb Major Business Park · TR9 6SX, St. Columb Major, Cornwall · Great Britain

☎ +44-12-08816062 · 📠 +44-12-08816708

info@wiska.co.uk · www.wiska.co.uk

**IP67: using the threaded entry together with ESKV cable gland**

Ø cable: 9,0 - 17 mm

**Mounting:**

- 4 internal openings outside of the sealing area

**Equipment:**

- 7 elastic, self-sealing puncture-membranes for cable entry on the side and 3 on the bottom

- 7 integrated M25 thread for mounting without lock nut

- 4 captive cover screws

- terminal block 5-pole, 6mm<sup>2</sup>

- 2 reduction adaptors KRM 25/20

**Recommended accessories**

MP-L Mounting plate large COMBI / WHK

10105775

External mounting - COMBI

10108836

**Spare parts**

SP-HKT 607 Terminal block

22000407

13.10.2020

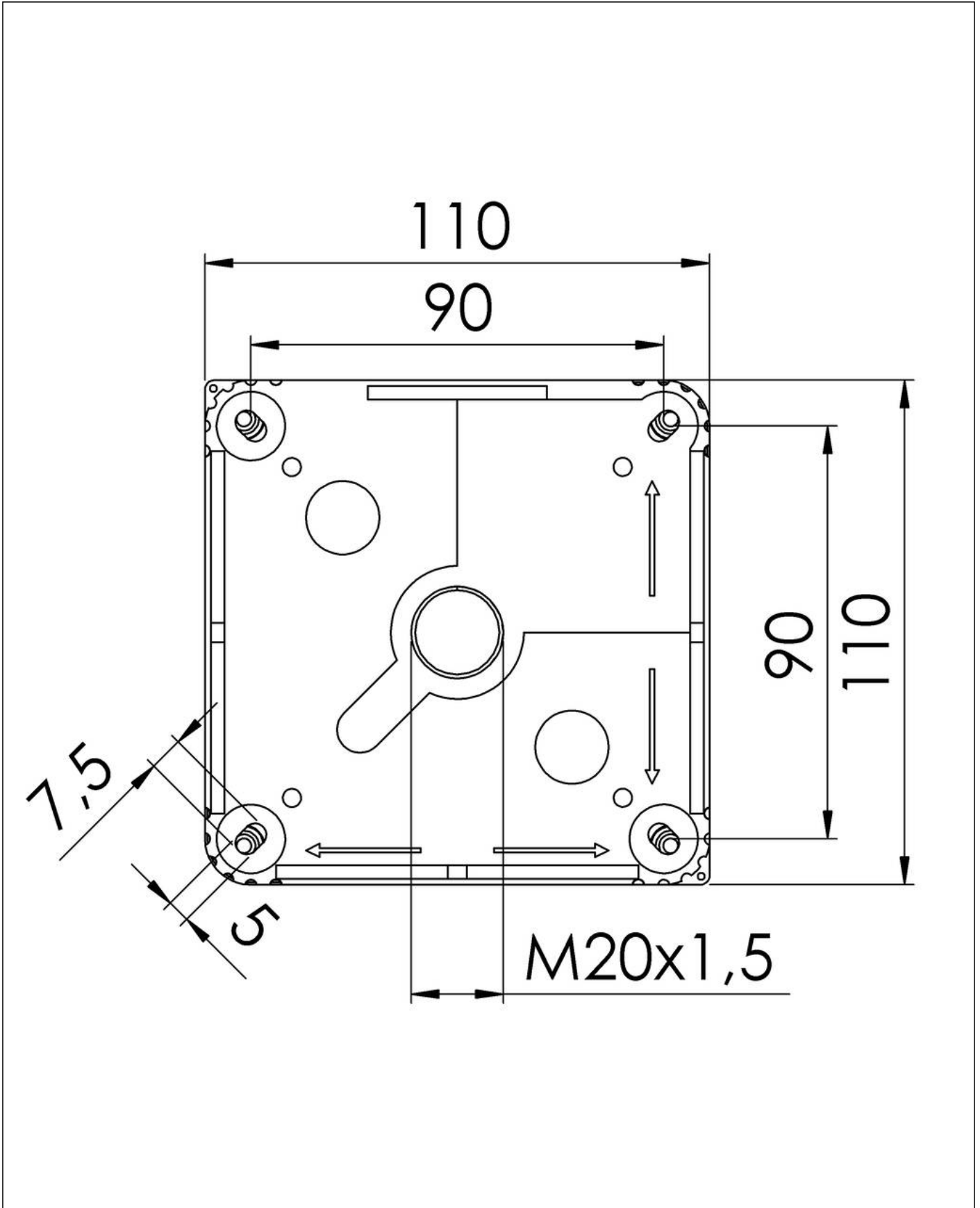
Your Contact:

**WISKA UK Ltd.**

Unit 7, Hurling Way · St. Columb Major Business Park · TR9 6SX, St. Columb Major, Cornwall · Great Britain

☎ +44-12-08816062 · 📠 +44-12-08816708

info@wiska.co.uk · www.wiska.co.uk



Your Contact:

**WISKA UK Ltd.**

Unit 7, Hurling Way · St. Columb Major Business Park · TR9 6SX, St. Columb Major, Cornwall · Great Britain

☎ +44-12-08816062 · 📠 +44-12-08816708

info@wiska.co.uk · www.wiska.co.uk



Your Contact:

**WISKA UK Ltd.**

Unit 7, Hurling Way · St. Columb Major Business Park · TR9 6SX, St. Columb Major, Cornwall · Great Britain

☎ +44-12-08816062 · 📠 +44-12-08816708

info@wiska.co.uk · www.wiska.co.uk