

# JC14032WH

## Standard Spotlight

Mainline Standard Mains IP20 Track Spotlight HiSpot ES50 50W GU10  
White

### Features & Benefits

- 50W halogen track spotlights
- Available in black
- silver or white
- Lamp not included



### General Information

|                              |  |
|------------------------------|--|
| Mounting                     | <b>Surface Mounted</b>   |
| Trade Name                   | <b>Mainline Track</b>  |
| Environment                  | <b>Indoor</b>  |
| Product Group                | <b>Halogen - Track</b>   |
| Color Finish                 | <b>White</b>   |
| Product Shape                | <b>Cylinder</b>  |
| Overall Dimensions           | <b>90 x 128mm</b>  |
| Length (mm)                  | <b>128</b>   |
| Diameter (mm)                | <b>90</b>  |
| Product Weight(kg)           | <b>0.2</b>   |
| Recommended Product Location | <b>Indoor use only</b>   |
| Lamp Supplied                | <b>No (QPAR16 50W GU10)</b>  |
| IP Rating                    | <b>IP20</b>  |
| Origin of manufacturer       | <b>Made in Taiwan</b>  |
| Warranty                     | <b>2 year standard warranty (See Website for terms and conditions)</b> |
| Lighting Product Type 1      | <b>Track Head</b>  |

## Electrical

|                           |         |
|---------------------------|---------|
| Voltage Rating            | 220-240 |
| Operating Frequency Hz    | 50/60Hz |
| Luminaire Circuit Wattage | 50W Max |
| Class                     | I       |
| Dimmable                  | no      |

## Performance Data

|               |   |
|---------------|---|
| Energy Rating | This product can contain a suitable light source of energy efficiency class from A to G |
|---------------|---|

## Construction

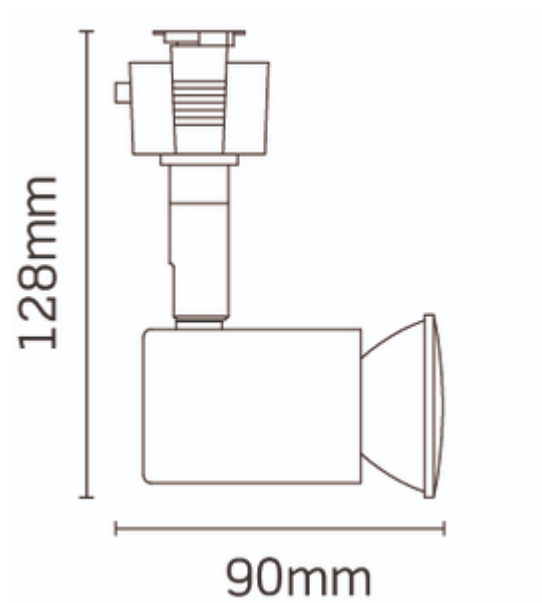
|                  |       |
|------------------|-------|
| Primary Material | Steel |
|------------------|-------|

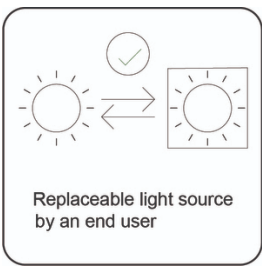
## Packaging

|                                |               |
|--------------------------------|---------------|
| Product Bar Code EAN-13 Number | 5052544005206 |
|--------------------------------|---------------|

## Standards & Approvals

|                               |                                  |
|-------------------------------|----------------------------------|
| Manufactured In Accordance To | BS EN 60598-2-1                  |
| CE Marked                     | yes                              |
| UKCA Marked                   | Yes                              |
| Date code/Purchase order No.  | Yes                              |
| Certificate Of Conformity     | Available on request             |
| Accredited Members            | LIA, ISO9001-2015, ISO14001-2015 |





---

JCC Lighting LTD, Lux Park, Chichester Business Park, City Fields Way, Tangmere, Chichester, West Sussex, PO20 2FT.  
Sales: 01243 838999 (8am to 5pm Monday to Friday) Fax: 01243 838998 | [sales@jcc.co.uk](mailto:sales@jcc.co.uk) | [www.jcc.co.uk](http://www.jcc.co.uk)  
Company Registration Number: 03044848 | VAT Number: 918544112

This document is uncontrolled if printed, all information is subject to change

Version 89 [06/03/2023]