

JC010027/BLK

Fireguard Next Generation Accessories

Fireguard Next Generation Anti-Glare Bezel IP20 Black

Features & Benefits

- Slim profile, die-cast aluminium bezels
- Designed specifically for use with Fireguard Next Generation Standard Can(JC010010/NB) and with LED lamps
- Reduces glare, ideal for application where soft ambient light is required
- IP20/IP65 options
- 2 year standard warranty (See Website for terms and conditions)



Fireguard.
NEXT GENERATION

General Information

Trade Name	Fireguard®
Product Group	LED - Replacement Bezel
Color Finish	Black
Product Range	Fireguard® Next Generation
Overall Dimensions	4.5 x 86
Height (mm)	4.5
Diameter (mm)	86
Product Weight(kg)	0.053
IP Rating	IP20
Origin of manufacturer	Made In China
Warranty	2 year standard warranty (See Website for terms and conditions)
Lighting Product Type 1	Accessory

Construction

Rim Or Attachment	Die-cast Aluminium
-------------------	---------------------------

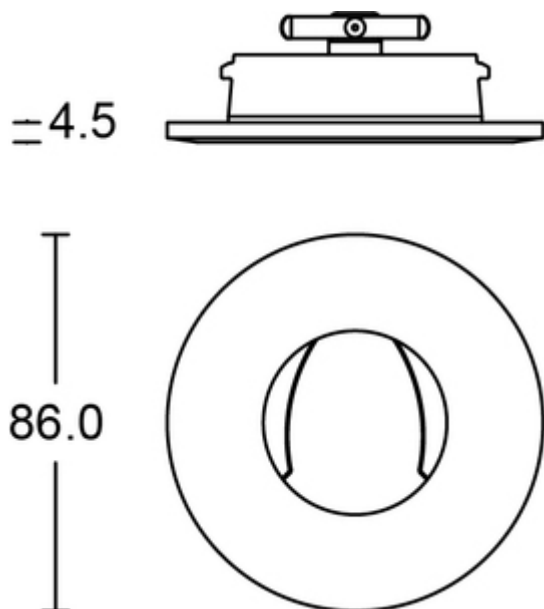
Packaging

Quantity Per Outer Carton	200
Outer carton(L)- cm	53

Outer carton(W)- cm	46
Outer carton(H)- cm	20
Outer carton Net weight- kg	11.40
Outer carton Gross weight- kg	12.40
Product Bar Code EAN-13 Number	5052544110467
Outer carton Bar Code ITF-14 Number	15052544110464

Standards & Approvals

Manufactured In Accordance To	BS EN 60598:2015, 2-1
CE Marked	Yes
UKCA Marked	Yes
Date code/Purchase order No.	Yes
Certificate Of Conformity	Available on request
Accredited Members	LIA, ISO9001-2015, ISO14001-2015



JCC Lighting LTD, Lux Park, Chichester Business Park, City Fields Way, Tangmere, Chichester, West Sussex, PO20 2FT.
 Sales: 01243 838999 (8am to 5pm Monday to Friday) Fax: 01243 838998 | sales@jcc.co.uk | www.jcc.co.uk
 Company Registration Number: 03044848 | VAT Number: 918544112

This document is uncontrolled if printed, all information is subject to change

Version 96 [06/03/2023]