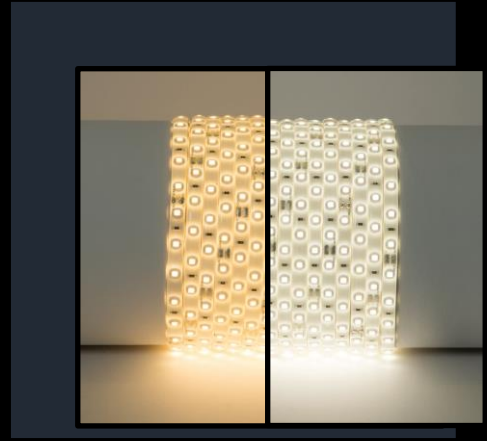


Navara 12V IP20 LED Strip

LED Strip Lighting



Data Sheet

Product Information

Our Navara 12V IP20 LED Strip is ideal for lighting applications where feature lighting is required.

This range is well suited to residential and commercial applications.



Product Features

- 3 year warranty
- Class II for Power supply and Class III for LED Strip
- IP20
- 12V Constant Voltage
- Available in 3000K or 4000K
- Two dimming options -
Dimmable control via remote control using KSR9564 & KSR9566 with an effective range up to 30m or dimmable via WiZ app control (strong wifi connection required)
- 5.8w per metre
- Driver Supplied
- 3M Self-adhesive Backing
- Can be cut every 100mm

Product Specification

Product Code	Product Description	Wattage (W)	CCT (K)	CRI (Ra)	Lumens (lm)	Protection Class
KSR95100	12v IP20 LED Strip – 5.8w/m, 30 LEDs per metre 3000K 50m roll	5.8w/m	3000	81	673lm per metre	III
KSR95101	12v IP20 LED Strip – 5.8w/m, 30 LEDs per metre 4000K 50m roll	5.8w/m	4000	83	715lm per metre	III
Accessories						
KSR95106	Navara 12v IP20 Strip to Wire Connector with 3m Lead					III
KSR95110	Navara 12v IP20 Strip to Strip Connector with 10cm Lead					III
KSR9564	Navara LED Receiver/Controller***					III
KSR9566	Navara Single Colour Remote***					III
KSRDL278	50w 12V Dimmable IP20 Driver					
KSRDL279	100w 12V Dimmable IP20 Driver					
KSRDL297	12w 12v Constant Voltage LED driver	12w				II
KSRDL298	30w 12v Constant Voltage LED driver	30w				II
KSRDL299	50w 12v Constant Voltage LED driver	50w				II

Nominal voltage	12V
Operating frequency	50/60Hz
Circuit Wattage	5.8w per metre
Circuit Current	TBC
Driver Current Rating	N/A
PFC	0.99
In Rush Current	N/A
Ambient temperature range	-10°c to +45°c
IP rating	20

Construction

Body: PCB

Standards

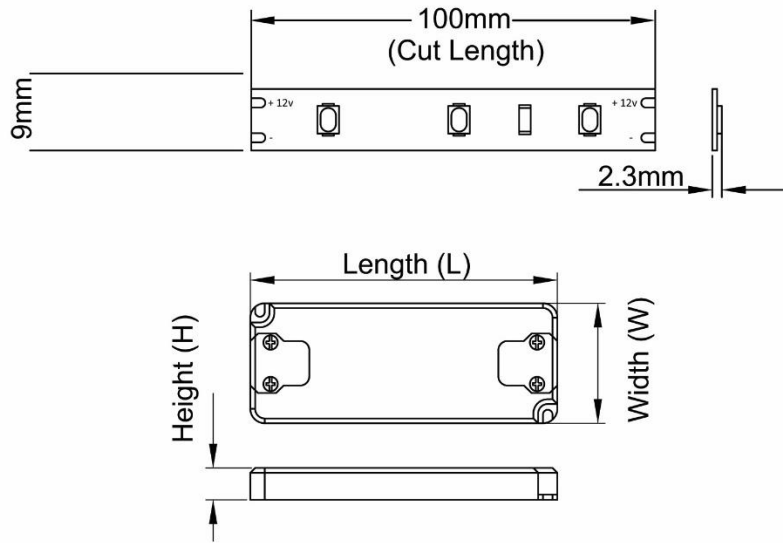
BSEN60598-1:2021 Luminaires – Part 1: General requirements and tests

In Conformity with

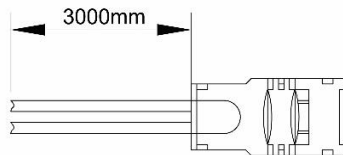
LVD Low voltage directive 2014/35/EU
 EMC Electromagnetic compatibility directive 2014/30/EU
 ERP Energy related products directive 2019/2020/EU
 RoHS Restriction of hazardous substances 2015/863/EU

Product Dimensions

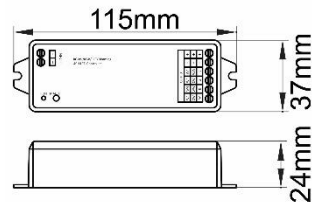
IP20 5.8W Bespoke LED Strip



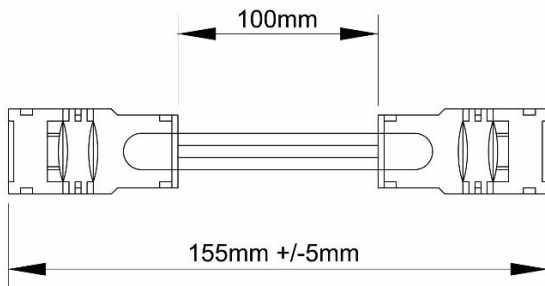
	Input	Wattage	Max Tape Run	Dimensions Length x Width x Height
KSRDL297	220-240VAC 50/60Hz	12W	1.5M	128mm(L) x 50mm (W) x 13mm (H)
KSRDL298	220-240VAC 50/60Hz	30W	4.5M	155mm(L) x 54mm (W) x 16mm (H)
KSRDL299	220-240VAC 50/60Hz	50W	8M	185mm(L) x 62mm (W) x 22mm (H)



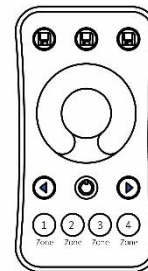
KSR95106



KSR9564



KSR95110



KSR9566

KSR Lighting is constantly developing and improving its products. For this reason, all product descriptions in this data sheet are intended as a general guide, and KSR may change specifications from time to time in the interest of product development, without prior notification or public announcement. All descriptions in this data sheet present only general particulars of the goods to which they refer and shall not form part of any contract. Data in this guide has been obtained in controlled experimental conditions. However, KSR Lighting cannot accept any liability arising from the reliance on such data to the extent permitted.