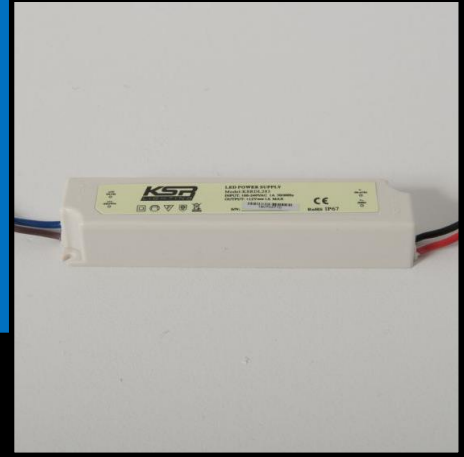


LED Constant Voltage Drivers

Accessories



Data Sheet

Product Information

Our 12V Constant Voltage LED driver range is available in 9 versions, these are suitable for products that require a Constant Voltage such as LED tape and low voltage lighting.

With Both IP67 and IP20 drivers available this range covers a broad range of applications

Product Features

- 1 year warranty
- 12V Constant Voltage
- IP67/IP20
- Class II
- Polycarbonate Construction
- Non-Dimmable and Dimmable drivers (Phase Dimmable)
- Secondary side of driver should be wired in parallel

Product Specification

Product Code	Product Description	Max load	Current rating	Voltage Range	Dimming options	IP Rating	Protection Class
KSRDL283	12w 12v Constant Voltage Driver	12w	1A	12	No	67	II
KSRDL284	20w 12v Constant Voltage Driver	20w	1A	12	No	67	II
KSRDL285	35w 12v Constant Voltage Driver	35w	1.1A	12	No	67	II
KSRDL286	60w 12v Constant Voltage Driver	60w	1.6A	12	No	67	II
KSRDL297	12w 12v Constant Voltage Driver	12w	1.0A	12	No	20	II
KSRDL298	30w 12v Constant Voltage Driver	30w	2.5A	12	No	20	II
KSRDL299	50w 12v Constant Voltage Driver	50w	4.16A	12	No	20	II
KSRDL278	50w 12v Constant Voltage Dimmable Driver	50w	1-4.16A	12	yes	20	II
KSRDL279	100w 12v Constant Voltage Dimmable Driver	100w	2.7-8.3A	12	yes	20	II

Nominal voltage 100-240VAC

Operating frequency 50/60Hz

Ambient temperature range 0°C~+40°C

Construction

Body: Polycarbonate
End Caps: Polycarbonate

Standards

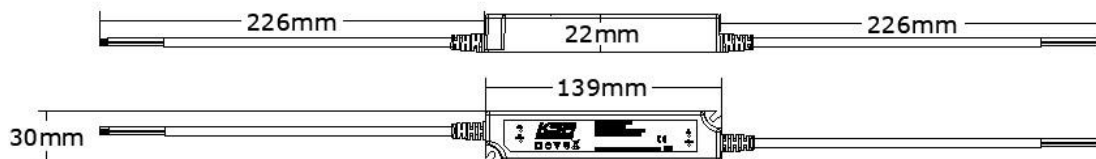
BSEN60598-1:2021 Luminaires – Part 1: General requirements and tests

In Conformity with

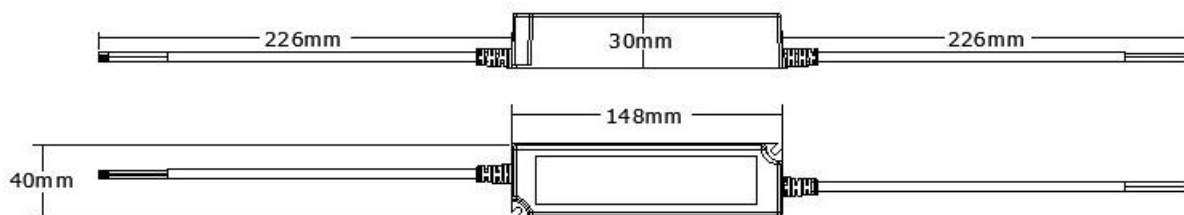
LVD	Low voltage directive 2014/35/EU
EMC	Electromagnetic compatibility directive 2014/30/EU
ERP	Energy related products directive 2019/2020/EC
RoHS	Restriction of hazardous substances 2015/863/EU

Product Dimensions

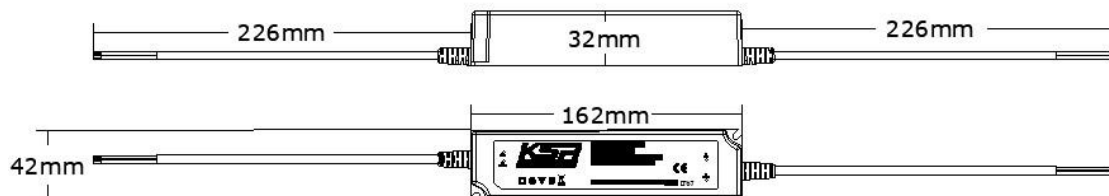
KSRDL283-284



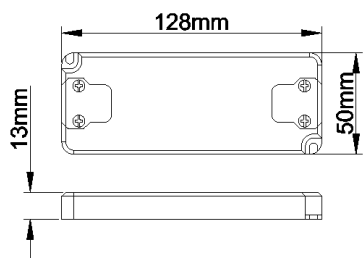
KSRDL285



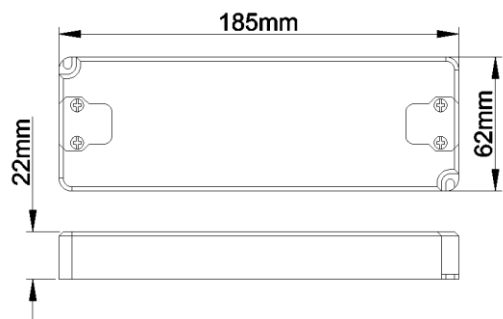
KSRDL286/288



Product Dimensions Continued



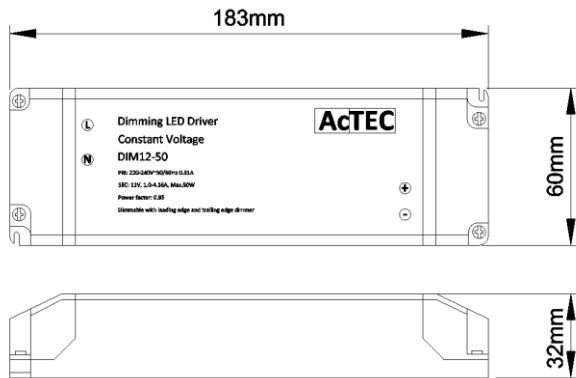
KSRDL297/298



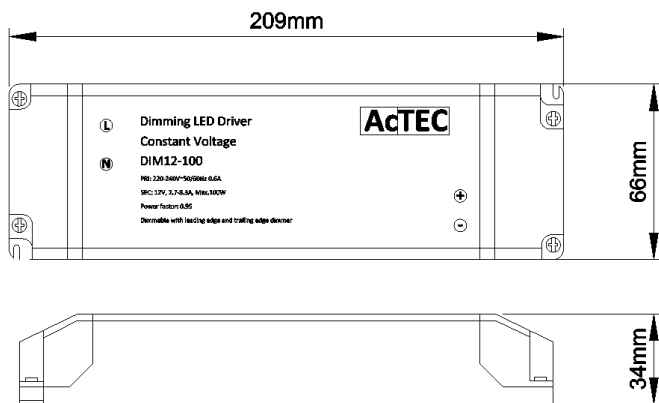
KSRDL299

Product Dimensions Continued

KSRDL278



KSRDL279



KSR Lighting is constantly developing and improving its products. For this reason, all product descriptions in this data sheet are intended as a general guide, and KSR may change specifications from time to time in the interest of product development, without prior notification or public announcement. All descriptions in this data sheet present only general particulars of the goods to which they refer and shall not form part of any contract. Data in this guide has been obtained in controlled experimental conditions. However, KSR Lighting cannot accept any liability arising from the reliance on such data to the extent permitted.