

Product datasheet

Specifications



Electronic pressure sensors,
Pressure sensors XM, transmitter,
XMLP, 160 bar, G1/4 A male, 4...20
mA, M12, set of 1

XMLP160BD21F

EAN Code : 3389119639699

Main

| | |
|---------------------------|--|
| Range of product | Telemecanique Pressure sensors XM |
| Product or component type | Electronic pressure sensors |
| Pressure sensor type | Pressure transmitter |
| Pressure sensor name | XMLP |
| Electrical circuit type | Control circuit |
| Pressure rating | 160 bar |
| Local display | Without |
| Controlled fluid | Air (-30...135 °C) Fresh water (0...135 °C) Hydraulic oil (-30...135 °C) Gas (-30...135 °C) Refrigeration fluid (-30...135 °C) |
| Fluid connection type | G 1/4A (male) conforming to DIN 3852-E |
| Electrical connection | 1 male connector M12 4 pins |
| [Us] rated supply voltage | 12...24 V DC SELV (voltage limits: 7...33 V) |
| Current consumption | < 23 mA |
| Type of output signal | Analogue |
| Analogue output function | 4...20 mA, 2-wire |
| Quantity per set | Set of 1 |
| Type of packing | Individual |

Complementary

| | |
|---|---|
| Pressure setting range | 0...160 bar |
| Maximum permissible accidental pressure | 480 bar |
| Destruction pressure | 960 bar |
| Materials in contact with fluid | Stainless steel AISI 316L Fluorocarbon FPM |
| Operating position | Any position |
| Protection type | Reverse polarity Load short-circuit |
| Electromagnetic compatibility | Electrostatic discharge immunity test conforming to EN/IEC 61000-4-2 8 kV air, 4 kV contact 1.2/50 µs shock waves immunity test conforming to EN/IEC 61000-4-5 1 kV 42 Ohm Immunity to magnetic fields conforming to EN/IEC 61000-4-8 100 A/m 50 Hz |

Electrical fast transient/burst immunity test conforming to EN/IEC 61000-4-4 4 kV
 Susceptibility to electromagnetic fields conforming to EN/IEC 61000-4-3 10 V/m 80...3000 MHz
 Radiated RF fields conforming to EN/IEC 61000-4-6 10 V 0.01...80 MHz

| | |
|---|----------------------------------|
| [Uimp] rated impulse withstand voltage | 0.5 kV |
| Response time on output | <= 2 ms 10...90 % of full scale |
| Measurement accuracy | +/- 0.5 % of the measuring range |
| Resolution | 0.1 % of the measuring range |
| Drift of the sensitivity | +/- 0.02 % of measuring range/°K |
| Drift of the zero point | +/- 0.02 % of measuring range/°K |
| Mechanical durability | 10000000 cycles |
| Net weight | 0.094 kg |
| Diameter | 26 mm |
| Length | 38.1 mm |

Environment

| | |
|--|--|
| Standards | EN/IEC 61326-2-3 NSF ANSI 61 |
| Product certifications | CE cULus RCM EAC |
| Protective treatment | TC |
| Ambient air temperature for operation | -30...85 °C |
| Ambient air temperature for storage | -50...100 °C |
| Vibration resistance | 20 gn (f = 15...2000 Hz) conforming to EN/IEC 60068-2-6 |
| Shock resistance | 100 gn for 11 ms conforming to EN/IEC 60068-2-27 |
| IP degree of protection | IP65 conforming to EN/IEC 60529 IP67 conforming to EN/IEC 60529 IP69K conforming to EN/IEC 60529 |

Packing Units

| | |
|-------------------------------------|----------|
| Unit Type of Package 1 | PCE |
| Number of Units in Package 1 | 1 |
| Package 1 Height | 4.2 cm |
| Package 1 Width | 4.7 cm |
| Package 1 Length | 8.7 cm |
| Package 1 Weight | 94.0 g |
| Unit Type of Package 2 | S01 |
| Number of Units in Package 2 | 24 |
| Package 2 Height | 15.0 cm |
| Package 2 Width | 15.0 cm |
| Package 2 Length | 40.0 cm |
| Package 2 Weight | 2.481 kg |

Offer Sustainability

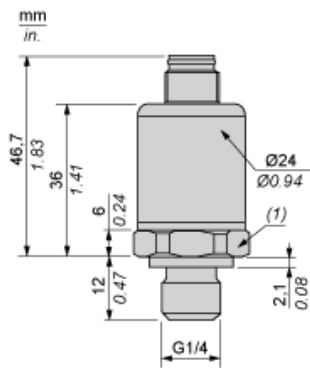
| | |
|---------------------------------|-----------------------------------|
| Sustainable offer status | Green Premium product |
| REACH Regulation | REACH Declaration |

| | |
|-----------------------------------|---|
| EU RoHS Directive | Pro-active compliance (Product out of EU RoHS legal scope) EU RoHS Declaration |
| Mercury free | Yes |
| RoHS exemption information | Yes |
| Environmental Disclosure | Product Environmental Profile |

Contractual warranty

| | |
|-----------------|-----------|
| Warranty | 18 months |
|-----------------|-----------|

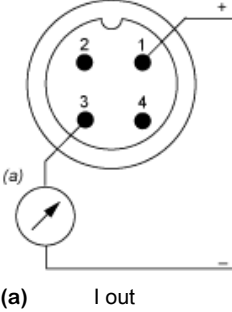
Dimensions



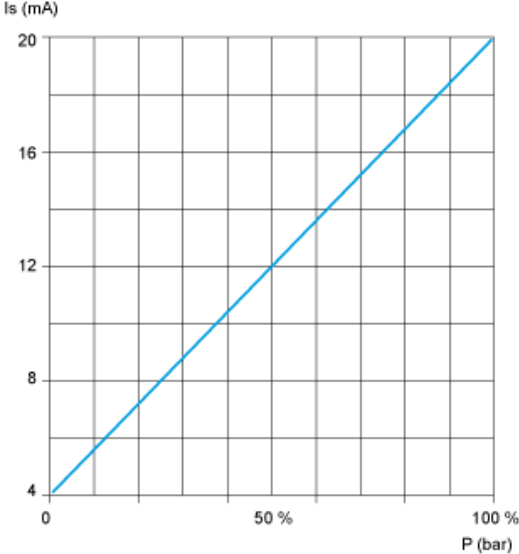
(1) SW24 tightening torque ≤ 25 N.m / 221 lb-in

Wiring Diagram

2-Wire Technique (4-20 mA)



Curves



Recommended replacement(s)