

ECO ERIS HIGHBAY

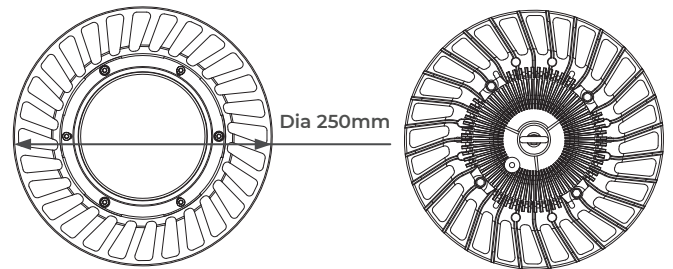
Product Features

- IP65 rated highbay with 120 degree wide distribution
- Die-cast aluminium housing with polycarbonate lens
- Suspended mounting via hook provided
- Reflector accessories available to suit application



CAT NO.	DRIVER	LUMINAIRE LUMENS	WATTAGE	DIA
LHBE25B13S40	Fixed Output	13500	100W	250mm
LHBE25B20S40	Fixed Output	20250	150W	250mm
LHBE25B27S40	Fixed Output	27000	200W	250mm
LHBE33B32S40	Fixed Output	32400	240W	330mm

Product Drawing



Product Accessories

CAT NO.	DESCRIPTION
LHBRFL60	60 Degree Aluminium Reflector
LHBRFL90	90 Degree Aluminium Reflector
LHBRFL120	120 Degree Aluminium Reflector



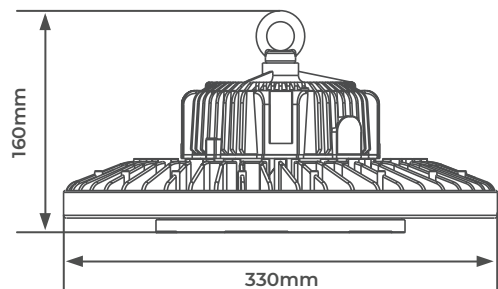
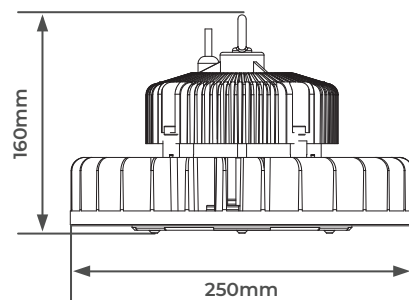
LHBRFL60



LHBRFL90



LHBRFL120



CAT NO.	WEIGHT (kg)	EFFICACY (lm/W)	CRI	FREQUENCY (Hz)	UGR	IK RATING	TEMP RANGE (°C)	AMBIENT TEMP RATED LIFE (°C)	L/B RATED LIFE
LHBE25B13S40	3.05	135	>80	50-60	<28	IK08	-20 to +40	25	L70 / B50
LHBE25B20S40	3.05	135	>80	50-60	<30	IK08	-20 to +40	25	L70 / B50
LHBE25B27S40	3.35	135	>80	50-60	<31	IK08	-20 to +40	25	L70 / B50
LHBE33B32S40	4.5	135	>80	50-60	<30	IK08	-20 to +40	25	L70 / B50

LHBE25B13S40
Luminaire Performance
 Luminaire Efficiency: **100.13%**
 Luminaire Efficacy: **135.18lm/W**
 Classification: **A40 ±99% ±1%**
 CIE Flux Codes: **49 83 98 99 100**
 UGR 4H 8H
 (20%, 50%, 70%) C0 / C90: **27.9 / 28.1**

Luminous Intensity

150° 180° 150°
 120° 120°
 90° 90°
 60° 60°
 30° 0° 30°
 ■ C0 / C180 cd / 100lmc90 / c270

LHBE33B32S40
Luminaire Performance
 Luminaire Efficiency: **100.13%**
 Luminaire Efficacy: **135.18lm/W**
 Classification: **A40 ±99% ±1%**
 CIE Flux Codes: **49 83 98 99 100**
 UGR 4H 8H
 (20%, 50%, 70%) C0 / C90: **29.1 / 29.3**

Luminous Intensity

150° 180° 150°
 120° 120°
 90° 90°
 60° 60°
 30° 0° 30°
 ■ C0 / C180 cd / 100lmc90 / c270

STANDARD	DESCRIPTION
EN 60598-1	Luminaires – General requirements
EN 60598-2-1	Luminaires – Fixed general purpose
EN 60598-2-22	Luminaires – Emergency
EN 61347-1	Lamp controlgear – Part 1: General and safety requirements
EN 61347-2-13	Lamp controlgear – Part 2-13 : Particular requirements for d.c. or a.c. supplied electronic controlgear for LED modules
EN 55015	Limits and methods of measurement of radio disturbance characteristics of electrical lighting and similar equipment
EN 61547	Equipment for general lighting purposes – EMC immunity requirements
EN 61000-3-2	Electromagnetic compatibility (EMC) – Part 3-2: Limits - for harmonic current emissions
EN 62471	Photobiological safety of lamps and lamp systems
2002/96/EC	Waste Electrical & Electronic Equipment (WEEE)
2011/65/EU	Restriction of the use of certain Hazardous Substances in EEE (RoHS)
(EC) No 1907/2006	The Registration, Evaluation, Authorisation and Restriction of Chemicals (REACH)

LUCECO

This luminaire contains built-in LED lamps.

A++
A+
A
B
C
D
E

} LED

The lamps cannot be changed in the luminaire.

874/2012

