

Starlet CCT LED Flat Panel

Commercial Lighting

Data Sheet



Product Information

The 3 CCT Starlet Round Flat Panel LED downlights are a 3 in one solution for uses in commercial applications where the option to be able to adjust the colour to suit the application is required

This Range is available in four different outputs 3w,6w, 12w, 18w and 24w.

Complete with a 3 year warranty

Product Features

- 3 year warranty
- Class II
- IP44 from the Front
- High CRI up to Ra84
- Instant on
- 3 switchable Colour temperatures 3000K/4000K/6000K
- Dimmable Options Available to order – DALI, Switch Dim or 1-10V (12, 18 & 24W Versions only)
- Emergency Option available
- Supplied complete with driver
- Wide 112° beam angle
- L70 - 54,000hrs

Product Specification

Product Code	Product Description	Wattage (W)	CCT (K)	Lumens (lm)	CRI (Ra)	Energy Efficiency Class 2021	Protection Class
KSR97190	Starlet 3w CCT LED Flat Panel Downlight White	3	3000	160	>84	G	II
			4000	188			
			6000	184			
KSR97191	Starlet 6w CCT LED Flat Panel Downlight White	6	3000	342	>84	G	II
			4000	390			
			6000	378			
KSR97192	Starlet 12w CCT LED Flat Panel Downlight White	12	3000	845	>84	F	II
			4000	995			
			6000	962			
KSR97193	Starlet 18w CCT LED Flat Panel Downlight White	18	3000	1455	>84	E	II
			4000	1662			
			6000	1605			
KSR97194	Starlet 24w CCT LED Flat Panel Downlight White	24	3000	1757	>84	F	II
			4000	2067			
			6000	1917			

*for emergency options please add EM to the end of the part code

Technical Data	Starlet CCT 3w	Starlet CCT 6w	Starlet CCT 12w	Starlet CCT 18w	Starlet CCT 24w
Nominal voltage	100~240VAC	100~240VAC	100~240VAC	100~240VAC	100~240VAC
Operating frequency	50-60Hz	50-60Hz	50-60Hz	50-60Hz	50-60Hz
Circuit Wattage	3.1w including Driver	5.7w including Driver	11.3w including driver	17.1w including driver	22.6w including driver
Circuit Current	TBC	TBC	TBC	TBC	TBC
Driver Current Rating	300mA	300mA	300mA	450mA	600mA
PFC	TBC	TBC	TBC	TBC	TBC
In Rush Current	TBC	TBC	TBC	TBC	TBC
Start Time	< 0.5 Sec	< 0.5 Sec	< 0.5 Sec	< 0.5 Sec	< 0.5 Sec
Ambient temperature range	-10°C to +40°C	-10°C to +40°C	-10°C to +40°C	-10°C to +40°C	-10°C to +40°C
IP rating	44	44	44	44	44

Construction

Body: Aluminium
Lens: Polystyrene (PS)

Standards

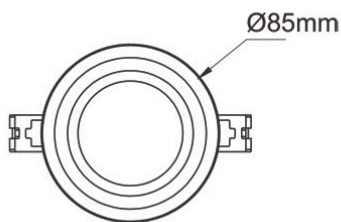
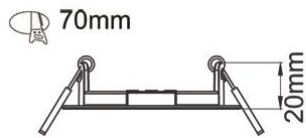
BSEN60598-1:2021
BSEN60598-2-22:2014+A1 2020

Luminaires – Part 1: General Requirements and tests
Luminaires – Part 2: Luminaires for Emergency Lighting

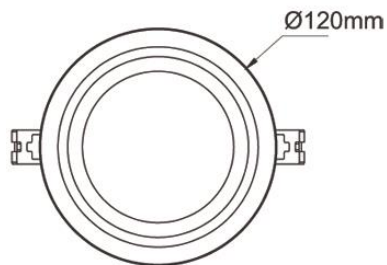
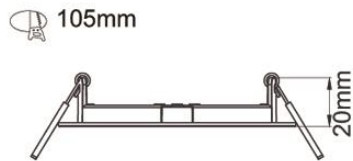
In Conformity with

LVD Low voltage directive 2014/35/EU
EMC Electromagnetic compatibility directive 2014/30/EU
ERP Energy related products directive 2019/2020/EU
RoHS Restriction of hazardous substances 2015/863/EU

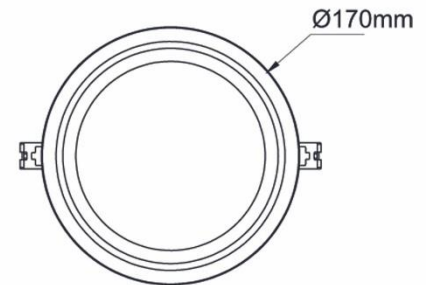
Product Dimensions



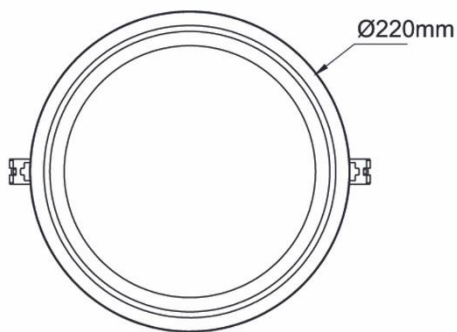
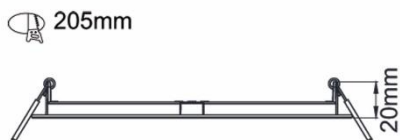
KSR97190



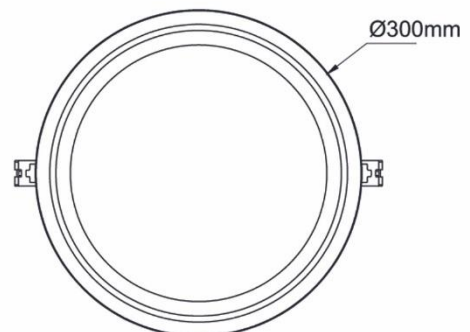
KSR97191



KSR97192



KSR97193



KSR97194

KSR Lighting is constantly developing and improving its products. For this reason, all product descriptions in this data sheet are intended as a general guide, and KSR may change specifications from time to time in the interest of product development, without prior notification or public announcement. All descriptions in this data sheet present only general particulars of the goods to which they refer and shall not form part of any contract. Data in this guide has been obtained in controlled experimental conditions. However, KSR Lighting cannot accept any liability arising from the reliance on such data to the extent permitted.