



Navara

HBX



Data Sheet

Product Information

The Navara HBX IP65 Highbays are suitable for a multitude of Industrial and commercial applications.

Complemented by the optional Remote Programmable Microwave sensor this product provides an effective energy saving solution with high efficiency LED technology.

They come complete with a 5 year warranty for your peace of mind.



KSR98200 with
KSR98203

Product Features

- 5 year warranty
- Class I
- IP65/IK10
- 4000K LED
- High efficiency CREE LED Chip technology up to 132 lumens per watt
- CRI: >Ra84
- 1-10v Dimmable as standard – can also be used as a normal fitting
- Optional 1-10V remote programmable plug in Microwave sensor
- Dali Option available
- 94° Beam Angle
- 3 sizes and outputs to choose from
- Supplied with Eye hook suitable for jack chain/carabiner clip
- Optional surface mount Bracket
- L70 – 46,000hrs

| Product Code | Product Description | Wattage (W) | CCT (K) | Lumens (lm) | CRI (Ra) | Energy Efficiency Class | Protection Class |
|-----------------------------|--|-------------|---------|-------------|----------|-------------------------|------------------|
| KSR98200 | Navara HBX 100w IP65 LED High Bay Black | 100 | 4000 | 12910 | >84 | D | I |
| KSR98201 | Navara HBX 150w IP65 LED High Bay Black | 150 | 4000 | 19630 | >84 | D | I |
| KSR98202 | Navara HBX 200w IP65 LED High Bay Black | 200 | 4000 | 26555 | >83 | D | I |
| Mounting Accessories | | | | | | | |
| KSR98208 | Navara HBX 100W Surface Mounting Bracket | | | | | | |
| KSR98209 | Navara HBX 150W Surface Mounting Bracket | | | | | | |
| KSR98210 | Navara HBX 200W Surface Mounting Bracket | | | | | | |

Emergency Options

| Product Code | Product Description |
|--------------|--------------------------------------|
| KSR98205 | Navara HBX Maintained Emergency Pack |
| KSR98206 | Navara HBX Self-Test Emergency Pack |

Control Accessories

| Product Code | Product Description | Operating Voltage | Detection Range | Recommended Mounting Heights | Time Delay | Lux Settings | Protection Class |
|--------------|--------------------------------------|-------------------|------------------------------|------------------------------|------------|--------------|------------------|
| KSR98203 | Navara HBX Microwave Sensor | 12VDC | 4-10m (radius), Programmable | 4-15m | 2sec-10min | <2-50lux | III |
| KSR98204 | Navara HBX Remote control programmer | | | | | | |
| KSR98207 | Navara HBX DALI Converter | | | | | | |

Technical Information

| Technical Data | Navara HB 100W | Navara HB 150W | Navara HB 200W |
|---------------------------|-------------------------------|-----------------------|-------------------------|
| Nominal voltage | 200~240VAC | 200~240VAC | 200~240VAC |
| Operating frequency | 50-60Hz | 50-60Hz | 50-60Hz |
| Circuit Wattage | 95.6w including Driver Losses | 146w including driver | 197.3w including driver |
| Circuit Current | 0.457 A | 0.648 A | 0.810 A |
| Driver Current Rating | TBC | TBC | TBC |
| PFC | 0.97 | 0.98 | 0.98 |
| In Rush Current | 16A Max peak @ 0-40ms | 16A Max Peak @ 0-40ms | 16A Max Peak @ 0-40ms |
| Start Time | < 0.5 Sec | < 0.5 Sec | < 0.5 Sec |
| Ambient temperature range | -20°c to +40°c | -20°c to +40°c | -20°c to +40°c |
| IP rating | 65 | 65 | 65 |

Construction

Body: Die Cast Aluminium
Lens: Polycarbonate

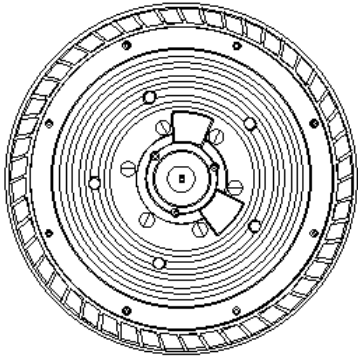
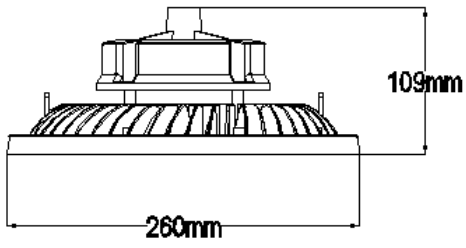
Standards

BSEN60598-1:2021 Luminaires – Part 1: General requirements and tests
BSEN60598-2-22:2014+A1 2020 Luminaires – Part 2: Luminaires for Emergency Lighting

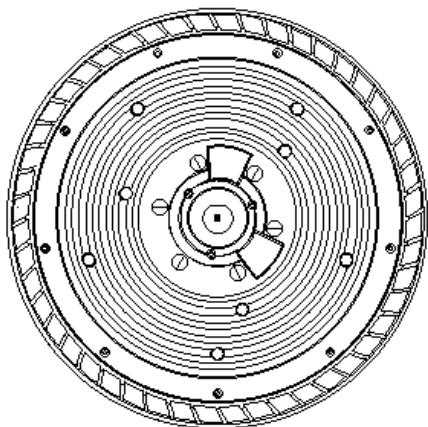
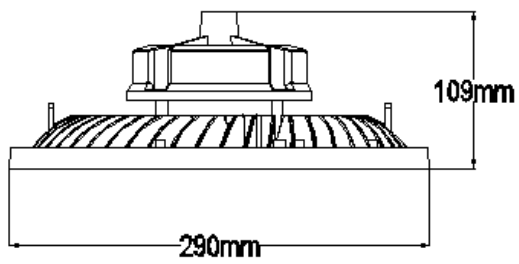
In Conformity with

LVD Low voltage directive 2014/35/EU
EMC Electromagnetic compatibility directive 2014/30/EU
ERP Energy related products directive 2019/2020/EU
RoHS Restriction of hazardous substances 2015/863/EU

Product Dimensions



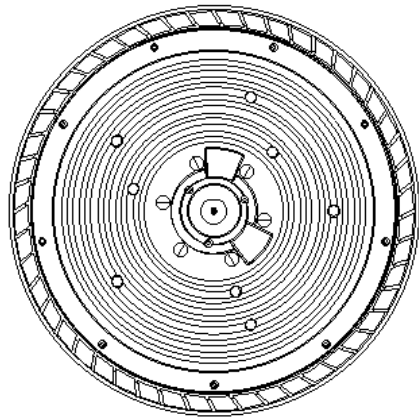
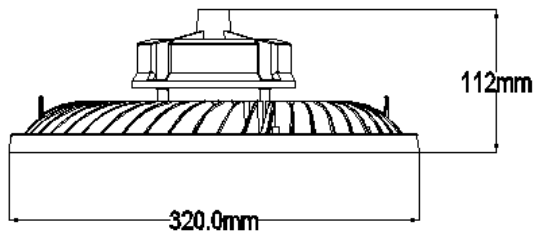
KSR98200



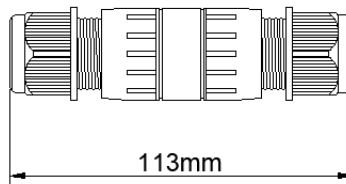
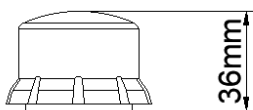
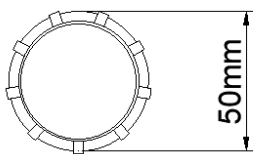
KSR98201

Product Dimensions continued

www.ksrlighting.com



KSR98202

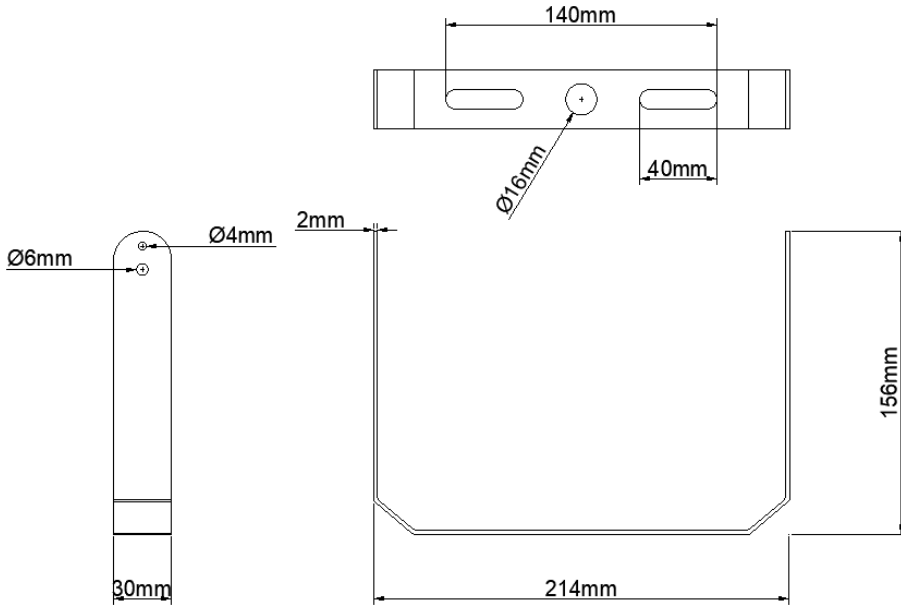


KSR98203

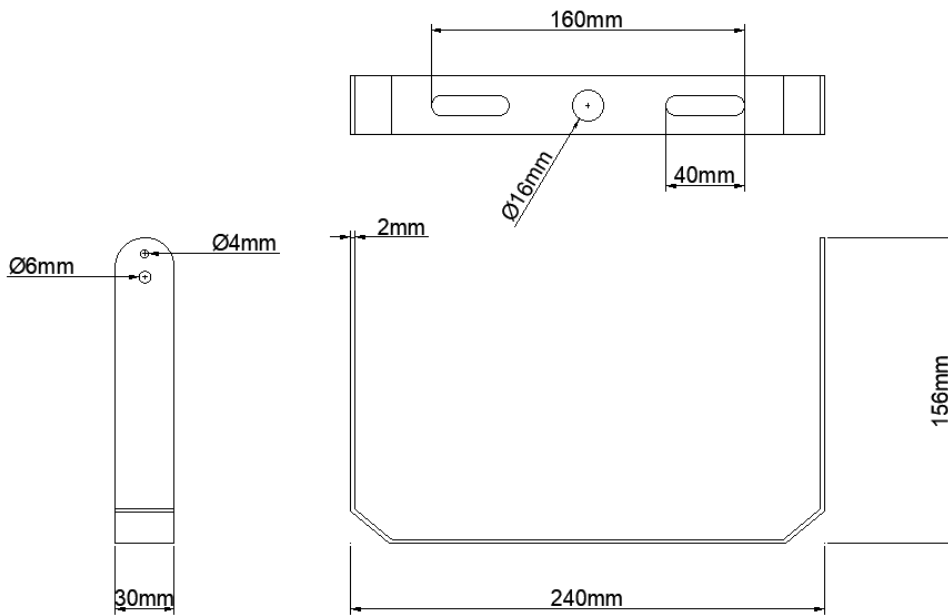
KSR98207

Product Accessory Dimensions

www.ksrlighting.com



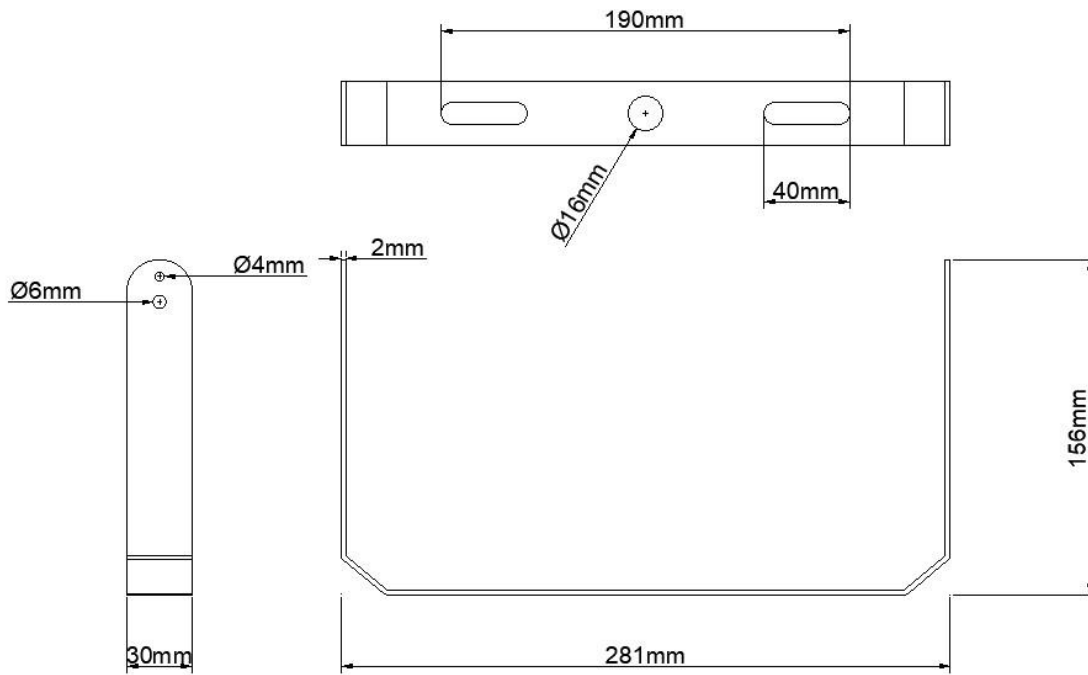
KSR98208



KSR98209

Product Accessory Dimensions

www.ksrlighting.com



KSR98210

KSR Lighting is constantly developing and improving its products. For this reason, all product descriptions in this data sheet are intended as a general guide, and KSR may change specifications from time to time in the interest of product development, without prior notification or public announcement. All descriptions in this data sheet present only general particulars of the goods to which they refer and shall not form part of any contract. Data in this guide has been obtained in controlled experimental conditions. However, KSR Lighting cannot accept any liability arising from the reliance on such data to the extent permitted.