

Cable glands & accessories

Cable Glands

CW Premier Brass Cable Gland Pack

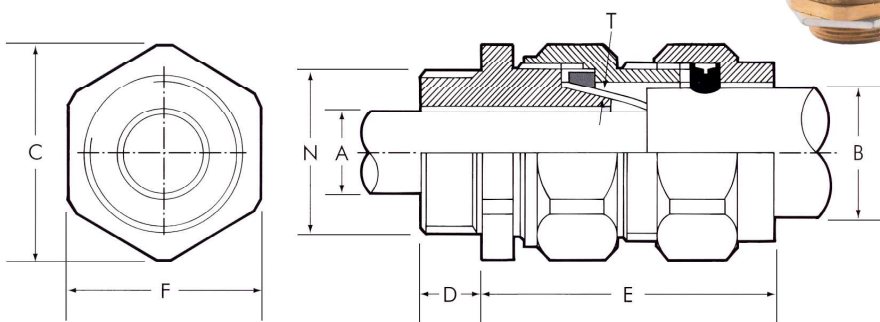
4 PART OUTDOOR

Application: Brass indoor and outdoor gland suitable for all types of steel wire armoured cable (SWA), providing an environmental seal on the outer cable sheath. The gland also provides mechanical cable retention and electrical continuity via armour wire termination.

Operating temp: -20°C to +80°C

Ingress protection: IP66 EN60529

Approval: BS EN 62444:2013



Part No.	Pack Quantity	Entry Thread		Cable Acceptance Details			Hexagonal Details		Assembled Length
		Diameter N	Length D	Diameter A min max	Diameter B min max	Armour wire size T	A/F F	A/C C	E
CW20/16* PACK	2	20	10	9.0	8.4 - 13.8	0.90	22.0	24.4	38.0
CW20S* PACK	2	20	10	8.0 - 11.8	12.9 - 15.8	0.90/1.25	24.0	26.6	40.0
CW20* PACK	2	20	10	11.0 - 13.8	15.5 - 20.8	0.90/1.25	30.0	33.3	41.0
CW25* PACK	2	25	10	13.0 - 19.8	20.3 - 27.5	1.25/1.60	38.0	42.2	44.0
CW32* PACK	2	32	10	19.0 - 26.4	26.7 - 33.5	1.60/2.00	46.0	51.0	48.0
CW40* PACK	1	40	15	25.0 - 32.4	33.0 - 40.9	1.60/2.00	55.0	61.0	52.0
CW50S* PACK	1	50	15	31.5 - 38.0	39.4 - 46.3	2.00/2.50	60.0	66.6	55.0
CW50* PACK	1	50	15	36.5 - 44.0	45.7 - 52.6	2.00/2.50	65.0	72.1	55.0
CW63S* PACK	1	63	15	42.5 - 49.0	52.1 - 61.5	2.50	75.0	83.2	60.0
CW63* PACK	1	63	15	48.5 - 55.5	58.4 - 65.3	2.50	80.0	88.8	60.0
CW75S* PACK	1	75	20	54.5 - 62.0	64.8 - 73.0	2.50	90.0	100.0	65.0
CW75* PACK	1	75	20	60.5 - 67.0	71.0 - 78.0	2.50	95.0	105.4	65.0
CW90* PACK	1	*90	20	66.0 - 79.0	77.0 - 90.0	2.50/3.15	110.0	122.1	70.0

All dimensions are in mm. *Not included in BS EN 62444:2013

Pack content: Gland(s), steel locknut(s), earth tag(s) and shroud(s).

Packs are also available with Low-smoke LSF shroud.

*Add LSF to the Part No. for Low Smoke & Fume version, i.e. **CW20/16LSF PACK**